

BACK

B

**VEHICLE TESTING
EQUIPMENT**



BRAKE TESTER

This tester measures braking forces of a test vehicle. The tester is capable of measuring each braking force of the front wheels at the right and left as well as the rear wheels at the right and left. The indicator employs two pointers on a

single shaft, thus making possible easy comparison of braking forces between the right and left sides. The indicator can be mounted on the floor, and besides, it can be suspended from the ceiling as a hang-down type.



Stand Type
(BBT-500BA-1)



Suspend Type (BBT-500BA-2)



BBT-500BA

Model		BBT-500BA
Max. Wheel Load	kgf	5,000
Measuring Range per Wheel	daN(kgf)	50 – 3,000 (50 – 3,000)
Min. Scale (Two Way)	daN(kgf)	5/10/50 (5/10/50)
Roller Size (Dia. × L × Roller Distance)	mm	φ 120 × 1,200 × 419
Indicator Stand (Analog) H × W	mm	1,300 × 610
Roller Bed (One Side) L × W × H	mm	4,600 × 840 × 514
Weight	kg	Approx. 1,700
Power Motor	kW	3 φ , 2.2 × 2
Power Indicator		1 φ , 5A
Air	MPa(kgf/cm ²)	0.97 (9.9)

BRAKE/SPEEDOMETER TESTER (COMBINATION TESTER)

- Brake test and speedometer test function in one tester. It can be used inspection area effectively.
- Emboss coated roller makes noise reduction during speedometer test, low resistance to the tire, and low slippery when wet condition.
- Digital meter (brake & speed) and analog meter (Brake is analog, speed is digital) are available.



BSTE-150



Digital Meter



BSTE-500AD



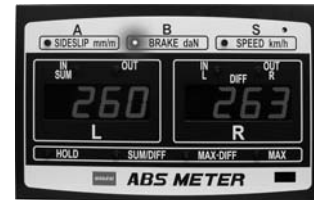
Analog Meter

Model		BSTE-150D	BSTE-500AD-1 BSTE-500AD-2
Max. Wheel Load	kgf	1,500	5,000
Brake Indicator		Digital or Analog	Digital or Analog
Measuring Range per Wheel	daN	0 – 1,000	0 – 3,000
Min. Scale	daN	2/10	1
Speedometer Indicator		Digital	Digital
Measuring Range	km/h	0 – 120.0	0 – 120.0
Min. Scale	km/h	0.1	0.1
Roller		Emboss coated	Emboss coated
Roller Size (Dia. × L × Roller Distance)	mm	φ 190.7 × 850 × 412.7	φ 185 × 1,250 × 419
Power Motor	kW	3 φ , 1.5	3 φ , 2.2 × 2
Power Indicator		1 φ , 2A	1 φ , 20A
Air	MPa	0.97	0.97
Roller Bed (L × W × H)	mm	3,000 × 720 × 400	4,194 × 760 × 550

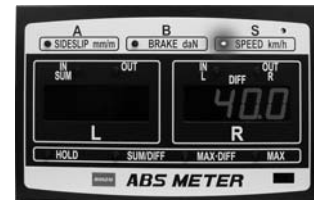
VEHICLE TESTING EQUIPMENT

BRAKE/SPEEDO/SIDE SLIP TESTER (TRIPLE TESTER)

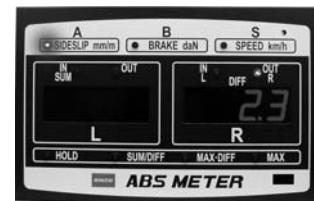
- Brake test, speedometer test, and sideslip test can be in one tester measured.
- 240mm thickness (depth) tester enables installation easier.
- With emboss coated roller noise coming out during speedometer test came out lower.



Brake indication



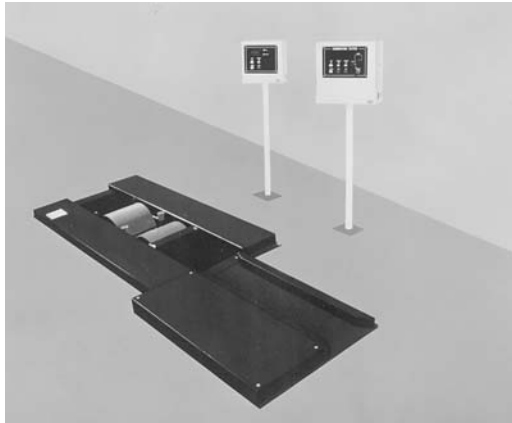
Speed indication



Sideslip indication

Model		ABSTE-150B-2	
Max. Wheel Load	kgf	1,500	
Measuring Range	Brake Tester	daN	0-1,000 (Digital)
	Speed Meter Tester	km/h	0-120.0 (Digital)
	Side Slip Tester	mm/m	IN15-0-OUT15 (Digital)
Roller Size (Dia. × L)	mm	φ 190.7 × 850	
Side Slip Tester Test Plate	mm	850 × 500 (Emboss Plate)	
Power Motor	kW	3 φ , 1.5	
Power Indicator		1 φ , 3A	
Air	MPa(kgf/cm ²)	0.97 (9.9)	
Dimensions (L × W × H)	mm	1,200 × 2,900 × 240	

COMBINATION TESTER FOR MOTORCYCLE



FRONT CONTROLER STAND



REAR CONTROLER STAND

Roller Bed

- Max. Wheel Load	kgf	300
- Roller Size (Dia. × L × Roller Distance)	mm	φ 370 × 300 × 500
- Tester Body (L × W × H)	mm	621 × 1,800 × 585

Clamp Unit

- Rear Wheel Clamp		Air-cylinder
- Clamp L × W × H	mm	835 × 1,000 × 120

Brake Tester

- Indicator		Digital
- Measuring Range	kgf	10 – 200
- Min. Scale	kgf	1

Speedometer Test

- Indicator		Digital
- Measuring Range	km/h	0 – 160
- Min. Scale	km/h	0.1

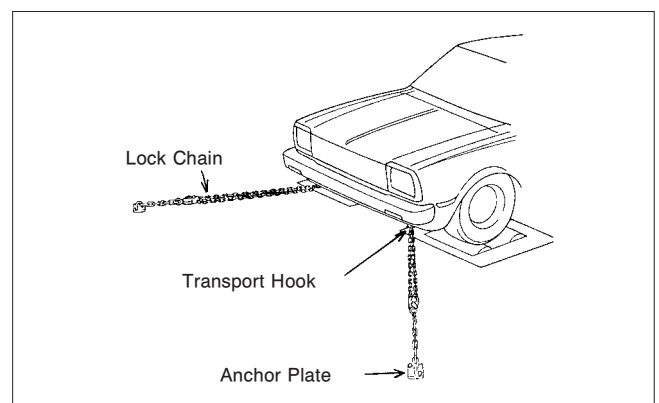
Power	kW	3 φ , 2.2
Air	MPa	0.9
Front Controller (L × W × H)	mm	400 × 250 × 1,400
Rear Controller (L × W × H)	mm	300 × 200 × 1,400
Option		Front Wheel Clamp

BRAKING FOOT PRESSURE GAUGE



Model	BF-3A
Method	Pointer
Pressure Gauge Scale	0 – 60
Dimensions	mm φ 60

LOCK CHAIN FOR FRONT WHEEL DRIVE CAR



To be used for speedometer testing to avoid car on speedometer tester slipping out.

Model	Contents	
KC-4N	Lock Chain	2pcs.
	Anchor Plate	2pcs.

Extension Attachment 1.5m (**KC-4A**)

VEHICLE TESTING EQUIPMENT

SPEEDOMETER TESTER



Even though without watching indicator. Buzzer will show the check points at 40km/h & 80km/h.

Model		SM-500BD
Axle Weight Allowance	kgf	10,000
Space between Rollers	mm	450
Roller (Dia. × Length)	mm	185 × 1,200
Effective Roller Width	mm	700 – 3,100
Max. Test Speed	km/h	120
Meter Scale	km/h	0 – 120
Alarming Point	km/h	40 - 80
Interim Lift Capacity	ton	5 × 2
Required Air Pressure	MPa(kgf/cm ²)	0.97 (9.7)
Electricity	1-ph. -W	100
Dimensions (H × W × D)	mm	464 × 3,550 × 900
Weight	kg	Approx. 800

IDLE ROLL UNIT



BFR-60
2pcs./set

BFR-75-M
2pcs./set

IRW-500-3

KFR-150
2pcs./set

Portable Type

Model		BFR-60	BFR-75	BFR-150
Capacity	kgf	600	750	1,500
Max. Speed	km/h	50	50	50
Usable Time	min.	3	3	3
Roller (Dia. × L)	mm	φ 89 × 460	φ 102 × 560	φ 102 × 560
Weight (1pc.)	kg	18	31	52

Multi roller Type (Movable)

Model		BFR-75-M
Capacity	kgf	750
Max. Speed	km/h	50
Usable Time	min.	3
Roller (Dia. × L)	mm	φ 70 × 562
Weight (1pc.)	kg	81

Stationary Type

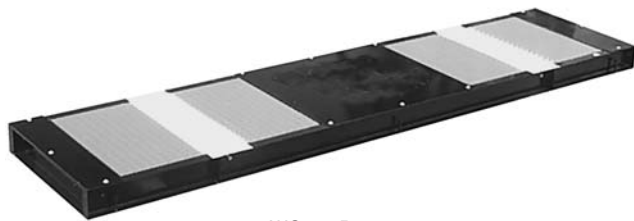
Model		IRW-500-3	KFR-150
Capacity	kgf	5,000	1,500
Roller (Dia. × L)	mm	φ 185 × 1,200	φ 75 × 850
Roller Number		6	24
Distance between Inner End of a Roller	mm	700	700
Required Air Pressure	MPa(kgf/cm ²)	0.97 (9.9)	0.97 (9.9)

SIDE SLIP TESTER

By measuring value of side slip of a vehicle in actual running condition, WG series side slip testers show the harmony of actual toe and camber.

Indicator show one measure movement per one millimeter side slipping per one meter when tires pass on the test plates.

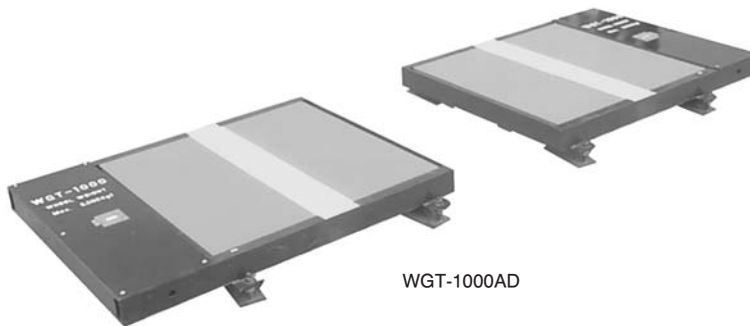
- In case vehicle test result is out of harmony of toe and camber. Tester shows with N/G lamp and buzzer
- In addition to the above, WGW-1000 and WGT-1000AD indicates axle slip value.
- Digital meter and analog meter are available. (WGT – 1000AD is digital only)



WG-150B



Digital Meter



WGT-1000AD



Analog Meter

Model		WG-150B	WG-500B	WGW-1000	WGT-1000AD
Type		One unit type	One unit type	One unit type	Separate Type
Max. Wheel Load	kgf	1,500	5,000	5,000	5,000
Dimensions (L × W × H)	mm	2,400 × 570 × 110	2,920 × 570 × 130	3,391 × 1,110 × 150	1,360 × 1,110 × 150 (One side)
Test Plate Size	mm	750 × 500	1,000 × 500	1,000 × 1,000	1,000 × 1,000
Distance between Test Plates	mm	700	700	700	Depend on a installation condition
Measuring Range					
- Side Slip	mm/m	IN 15-0-OUT 15	IN 15-0-OUT 15	IN 15-0-OUT 15	IN 15-0-OUT 15
- Axle Slip	mm/m	N/A	N/A	L15-0-R15	L15-0-R15
Power		1 φ, 3A	1 φ, 3A	1 φ, 3A	1 φ, 3A

HEADLIGHT TESTER



Model		HT-307	HT-702	HT-718
Operating Method		Manual	Manual	Auto
Measuring Method		Screen	CCD Camera	CCD Camera
Measuring Distance m		1	1	1
Photometer Range cd	Upper	0-120,000	0-120,000	0-120,000
	Lower	0-40,000	0-40,000	0-40,000
Measurable Beam Angle (cm/10m)		Up 24 Left 40 — Right 40 Down 40	Up 20 Left 35 — Right 35 Down 35	Up 20 Left 35 — Right 35 Down 35
Electric Source		DC 6V Dry battery	1 ϕ , 5A	1 ϕ , 5A

SOUND LEVEL METER



NL-26

Model	NL-26	LA-1240
Measuring Range	30 – 130db (A) 36 – 130db (C)	27 – 130dB (A) 32 – 130dB (B, C)
Electric Source	Dry Cell SUM-3×2 or AC Adaptor (Option)	Dry Cell SUM-3×2 or AC Adaptor (Option)
Overall Length mm	230	240
Weight g	Approx. 260	Approx. 260

CO-HC EXHAUST EMISSION ANALYZERS

- Warm up in 5minutes with count-down timer.
- With "M"-key, ZERO and sensitivity calibration start automatically.

- Simple icons appear on screen timely to provide informations and errors or abnormal readings.
- Easy to operate thru step-by-step Instructions on screen.



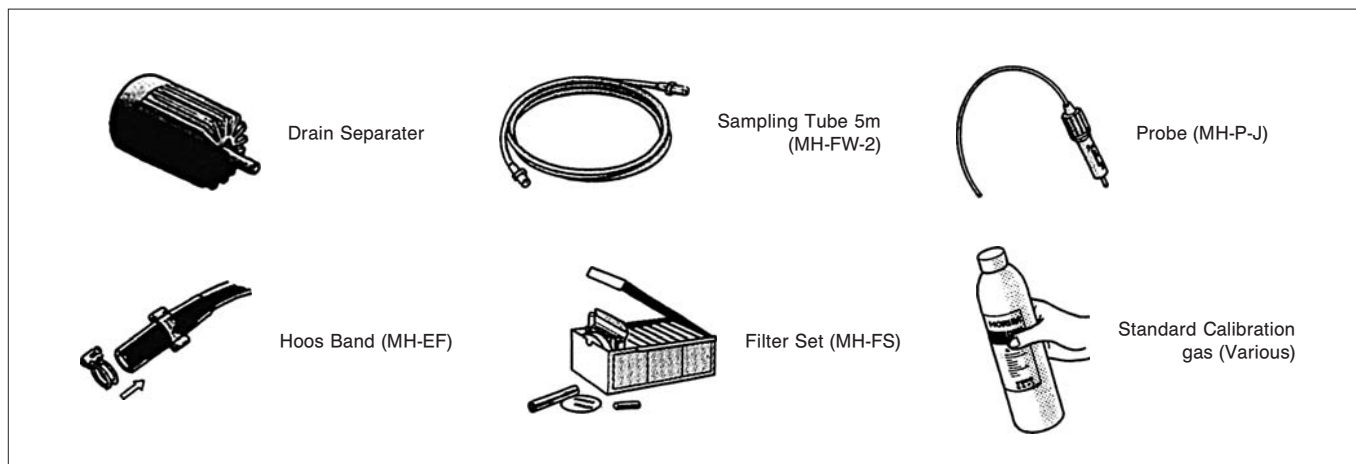
MEXA-324L

MEXA-584L

Model	MEXA-324L	MEXA-584L
Measuring Component	CO, HC	CO, HC, CO ₂ , AFR, LAMDA, O ₂ (Optional) NO (Optional)
Measuring Range	CO: 0.00 – 10.00% vol. HC: 0 – 10,000ppm vol.	CO: 0.00 – 10.00% vol. HC: 0 – 10,000ppm vol. AFR: 10.0 – 30.0 LAMDA: 0.00 – 9.999 O ₂ : 0.00 – 25.00% NO: 0-5,000ppm
Warm-up Time min.		5
Power	1 φ , 100 – 240V	1 φ , 100 – 240V
Dimensions (L×W×H) mm	260×357×157	260×357×157
Weight kg		Approx. 4
Option	- Analog Output DC 0 – 1V - Serial Printer & Cable	- Analog Output DC 0 – 1V - Serial Printer & Cable - O ₂ Sensor - NO Sensor - Thermometer Tachometer - Tachometer - Oil Temperature Sensor

VEHICLE TESTING EQUIPMENT

CONSUMABLES FOR “MEXA” EMISSION ANALYZER



DIESEL SMOKE METER (MANUAL MEASURING TYPE)



Model	DSM-240
Measuring Applicable Gas	Diesel Smoke
Measuring Method	Light Reflection Method
Measuring Range	0 – 100%
Accuracy	± 3%
Absorption Time	1.4 ± 0.2sec.
Electric Source	AC 1-ph.
Dimensions (W×D×H) mm	370 × 290 × 390
Weight kg	19

OPACIMETER (HANDY TERMINAL TYPE)



Model	SOM-101W	
Measuring Method	Opacity Measurement	
Sampling Method	Partial Sampling by Exhaust Pressure	
Dimension and Weight	Measuring Unit	297 × 260 × 238mm 4.2 kg
	Handy Terminal	135 × 200 × 50mm 0.65kg
	Chamber	395 × 136 × 285mm 3.5 kg
Power	AC 1ph	
Warming up	Within 15min	
Sampling Tube	Silicone φ 10 × 1,890mm	
Measurement Range	Light Absorption Coefficient (n-1): 0.000-10.000	
Indication Range	Light Absorption Coefficient (n-1): 0.000-9.999	
Min.Scale	Light Absorption Coefficient (n-1): 0.001	

Option: Printer

“B-DYNA” 4 WHEEL ALIGNMENT TESTER

- Wheel base adjuster and equalizer set up a vehicle in measuring position automatically.
- Without clamping any attachment or sensor head on wheel manually, original sensor heads proceed measuring automatically thru free wheel dynamic measuring.

- B-DYNA is not merely a service equipment but also, with the unique exterior, very attractive and appeals hi-technology to many customers.



Model	DWA-9000	
Max. Axle Load	kgf	1,500
Applicable Wheel Base	mm	2,000 – 3,200
Applicable Tread	mm	1,180 – 1,610
Tire Diameter	mm	480 – 800
Tire Width	mm	135 – 295
Measures	- Toe - Thrust Angle - Camber - Caster - Kingpin Angle - Toe Out on Turn - 4 Wheel Steer Turn Angle - Max. Turn Angle	
Indicator	17inch color CRT Monitor in Pit	
Power	3 φ , 1.5kW	
Air	MPa(kgf/cm ²)	0.7 – 0.99 (7) or more

• Standard Equipment



Monitor in Pit



Steering Holder



Brake Presser



Printer



Key Board



Auto Brake depressor (Option)

VEHICLE TESTING EQUIPMENT

“B-DYNA” 4 WHEEL ALIGNMENT TESTER



Measurement Preparation



Wheel Alignment Data



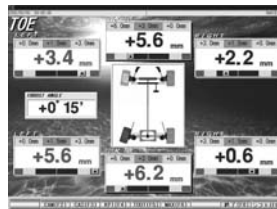
Wheel Alignment Data



Wheelbase Data



Toe Measuring



Toe Result (NG indication in red)



Toe Result



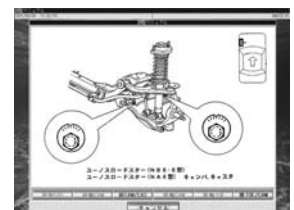
Camber Measurement



Caster Measurement



Kingpin Measurement



Adjustment Point



Customer Data



Vehicle Diagnosis



Self Diagnosis

“TRUCK ALIGNER II” WHEEL ALIGNMENT OF LARGE VEHICLES



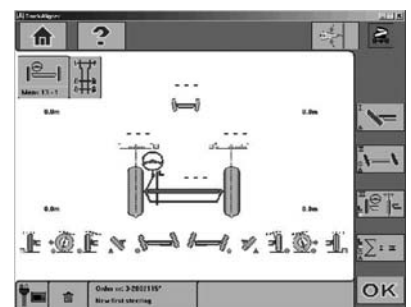
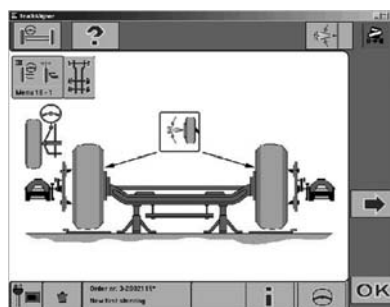
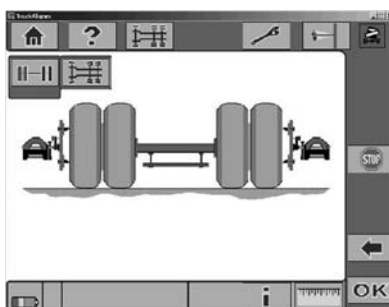
- This is wheel alignment system to measure and adjust a wheel angle of truck and heavy vehicle in short time.
- Using high level laser technic and angle sensor that are patented, measure Toe, Camber, Caster, KPI, TOOT, and Turning Radius.
- All data before and after adjustment are printed out.

Model	JT2000BJ
Max. length of vehicle	15m
Laser	Class 2
Continuous operation	Max. 8 hours
Battery charging	Measuring head : 5 hours, Handheld unit : 10 hours
Capacity	200 vehicle (Handheld unit) Max. 16 axles/measure
Tolerance	Toe : 0.25mm, Camber : 3'
Indication	Camber: -5to +10°, Caster: ±20°, KPI: ±20°, Turning Radius: 60°

Measuring item

Toe	Camber	Caster	KPI	TOOT	Turning
Rear axle right angle	Rea axle parallel	Front double axle front axle parallel	Front double axle front wheel play	Maximum 16 axles	Measuring distance

Graphic indicator sample



LIFT FOR WHEEL ALIGNMENT TESTER



Are you interested in joining Wheel Alignment Business? For sophisticated computer alignners, ALIGNMENT of alignment lift itself is also an essential factor to maximize accuracy of computer alignners. We offer the accuracy as well as you do.

Model		WSF-302A2
Capacity - Main/Pit Lift	kg	3,000/1,500 × 2
Lift - Main/Pit Lift	mm	1,700/250
Applicable Wheel Base	mm	2,200 – 3,200
Applicable Tread	mm	1,250 – 1,700
Main Plate Tolerance	mm	Left/Right 1, Front/Rear 2, Diagonals 2
Main Plate Size (One Side)	mm	4,400(L) × 580(W)
Pit Lift Slide Arm	mm	750 – 1,565
Dimensions/Weight (L × W × H)	mm	5,590 × 2,910 × 2,470/1,420kg
Power		3 φ 1.5kW

Include SLIP PLATES/Turning Radius Gauge not included.

LIFT FOR WHEEL ALIGNMENT TESTER



Model		WSX-N130A
Capacity	kg	3,000
Main Lift	mm	1,650
Free Wheel Lift	mm	350
Motor		3 φ , 2.2kW
Plate Size	mm	1,400 × 605
Applicable Wheel Base	mm	2,000 – 3,200
Applicable Tread	mm	1,250 – 1,550

CAMBER-CASTER-KINGPIN GAUGE



To use with turning radius gauge during measurement procedure.

To use with MB-40B-21 to lock wheels during caster measurement. In case wheels move, you can not get accurate data.

Model		MB-40E
Camber Scale	deg.	-5 – +5
Caster Scale	deg.	-3 – 0 – +10
Kingpin Scale	deg.	0 – 16
Size	mm	230 × 90
Weight	kg	1.7

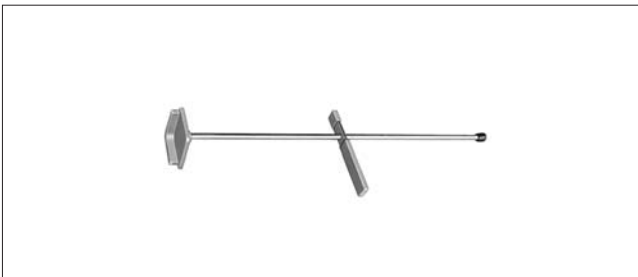
COMPENSATOR



To be used for measuring vehicles with aluminium wheels to set MB-40E.

Model	Applicable Wheel
CCK-1N2	10 – 18"

BRAKE PEDAL PRESSURE TOOL



To keep brake on without operator in the cabin.

Model	MB-40B-21
-------	-----------

TURNING RADIUS GAUGE



Model	MB-35K	MB-35KP	MB-41DK	
Car Application	Passenger Car	Passenger Car	Large Vehicle	
Wheel Weight Allowance	kgf	750	750	5,000
Turntable Diameter	mm	328	328	410
Angle Scale	deg.	50	50	60

2pcs. a set

- Keep locked turning plate by using pin when vehicles enter on.
- Place flat floor and keep high leveling by using spacers (Customer's Preparation) under rear wheels for most accurate measurement.
- MB-35KP and MB-41DK are pit type.

VEHICLE TESTING EQUIPMENT

SLIP PLATE

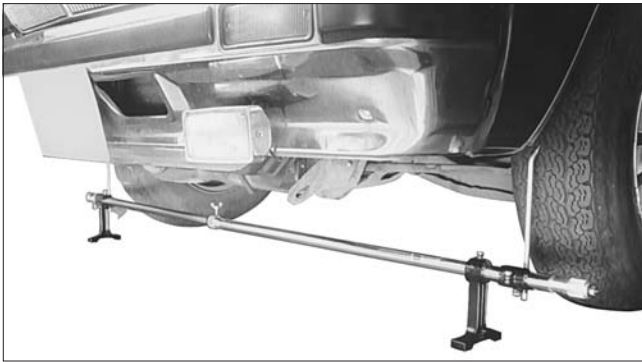


Slip plate for wheel alignment measurement. MB-75SP reproduces alignment when a vehicle running.

Model		MB-75SP
Wheel Weight Allowance	kgf	750
Slip Distance Outside	mm	60
Slip Distance Inside	mm	30
Measurements (L × D × H)	mm	420 × 320 × 63

2pcs. a set

TOE-IN GAUGE



Model		MB-56EK	MB-56FK
Testing Range	mm	900 – 1,600	1,600 – 2,000
Scale	mm	10 – 0 – 10	10 – 0 – 10
Min. Scale	mm	0.2	0.2

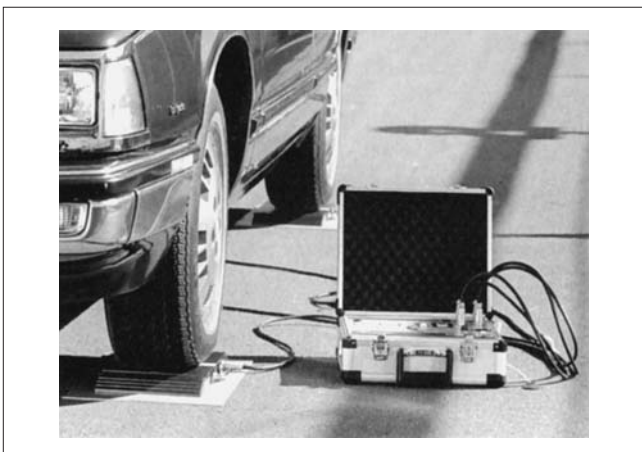
DIAL INDICATOR SET



For checking Ball Joint, Kingpin, Wheel Bearing, Brake Disc, Wheel.

Model	Measuring Range mm	Min. Scale mm	Weight kg
HDS-100	10	0.01	1.5

HANDY SCALE



- Light, Small and easy to carry.
- AC/DC 2-way power supply enable you to measure anywhere.
- Wheel/Axle load and total weight can be figured out automatically.
- The solid construction make sensor shells heavy-duty.
- Wide range of sensors are prepared for wide demands from 1ton to 8 ton per wheel.
- We have wide variety of accessories and configurations to meet your special demands.

Model	Specifications
HS1001N-4E8	1ton × 4pcs. = 4ton, Min. Scale 1kg.
HS1002NA-4E8	2ton × 4pcs. = 8ton, Min. Scale 1kg.
HS1003NA-4E8	3ton × 4pcs. = 12ton, Min. Scale 2kg.
HS1005N-4E8	5ton × 4pcs. = 20ton, Min. Scale 5kg.

Contents: Weight Pad × 4 Indicator × 1 Cable 5m × 4
Weight Pad Case × 4 Cord Case × 1