

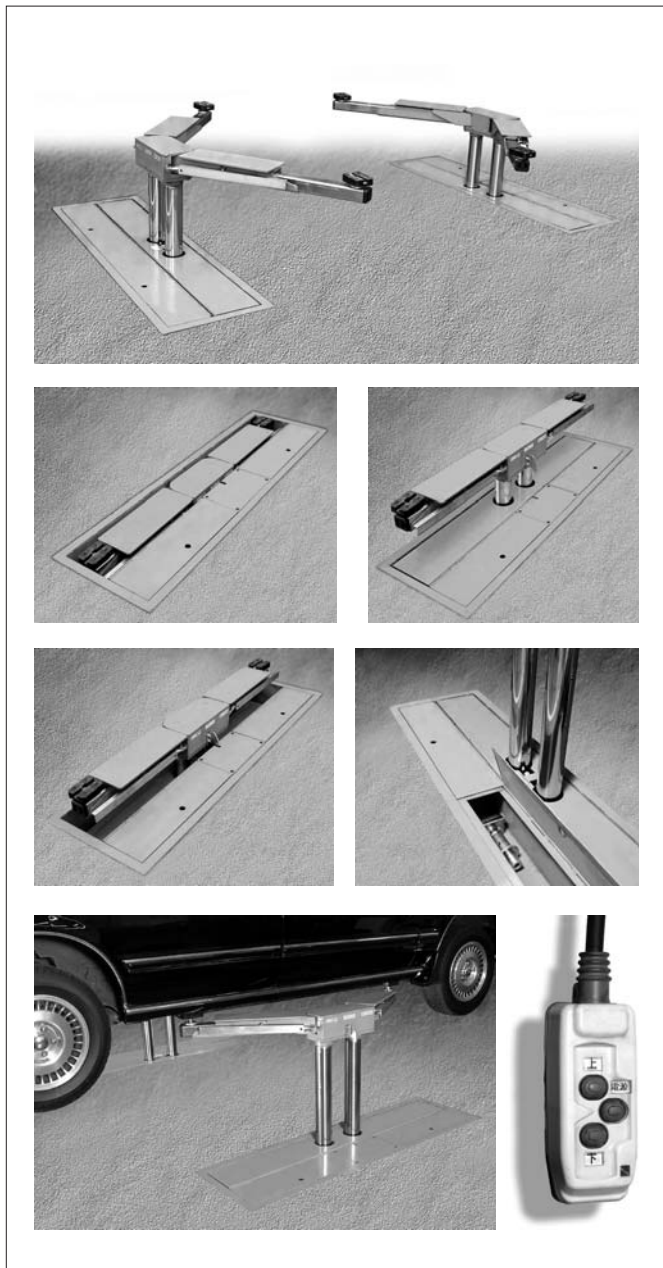
BACK

D

LIFTING EQUIPMENT



“TANDEM” AUTO LIFT

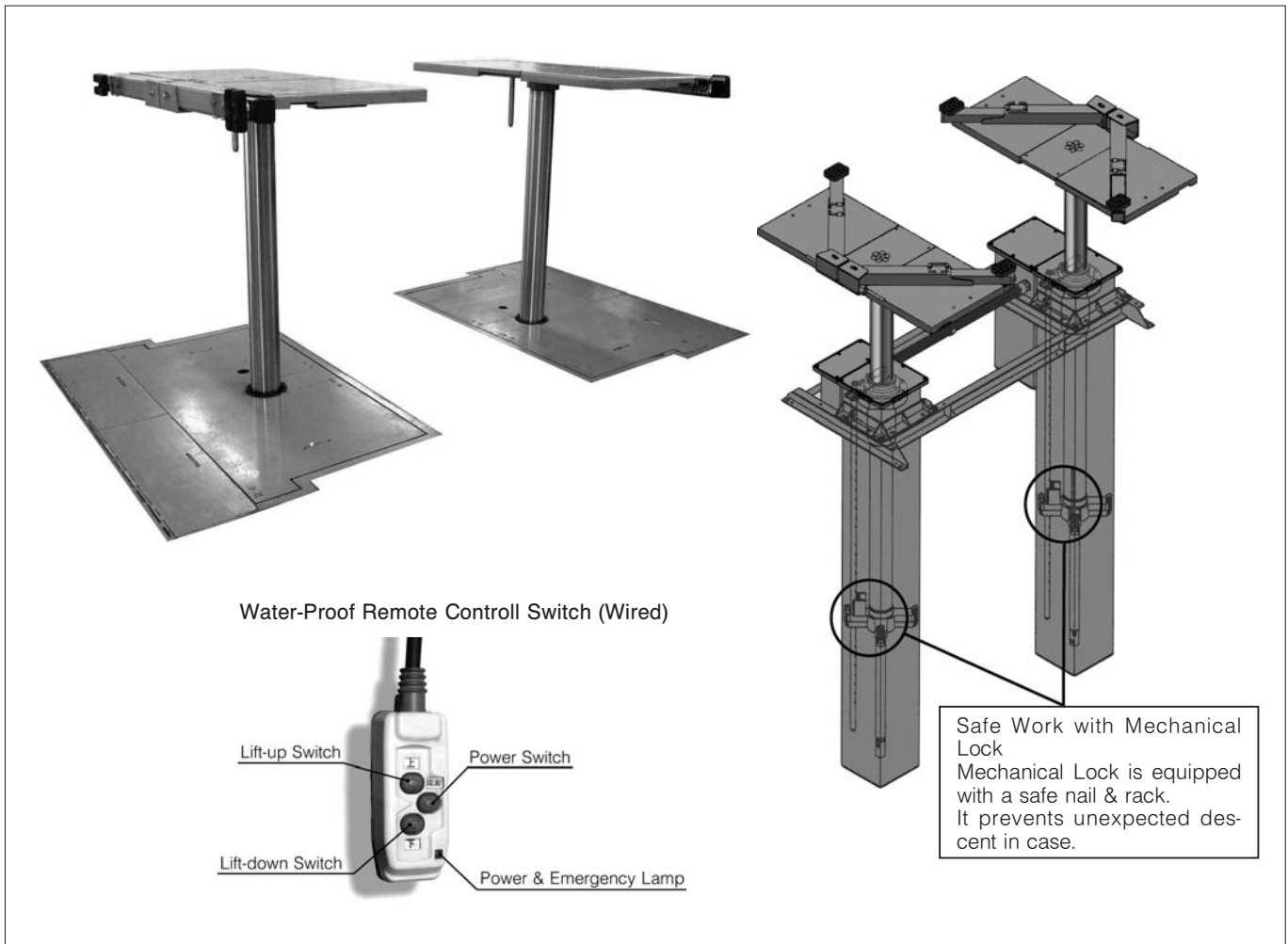


- Reduce the diameter of a ram compared to DPL-P40 Series. (Approx. 30% cut) This slimer and novel design provides workers larger spaces.
- Installation of the two rams at each left and right lift helps more stable work that resists deviated loads.
- The new 2-way hydraulic circuit dramatically develops safety.
- An alarm lamp of oil leak is attached to the remote control switch. And, the oil leak indicator is placed on the cylinder.

Model		DPL-TP30 Series
Capacity	kg	3,000
Applicable		Light Car, Small Passenger Car, Small Truck
Lift	mm	1,800
Distance between Plungers	mm	1,450
Plunger Diameter		right 85mm $\phi \times 2$ left 85mm $\phi \times 2$
Synchronizing System		Hydraulic
Operation		Remote Control
Motor		3-ph., 2.2kW
Oil Tank Capacity	L	Approx. 85
Lifting Time		Approx. 53sec./50Hz Approx. 44sec./60Hz

Model	Carridge (Plate Arm)	Installation	Flat Kit (For Under Floor Plate/Arm and Attachment Box)
DPL-TP30S	Slide Plate	Surface Mounted Type	
DPL-TP30SM	Slide Plate	Lay Type	
DPL-TP30F	Arm Type	Surface Mounted Type	
DPL-TP30FW	Wide Arm	Surface Mounted Type	
DPL-TP30ZSM	Slide Plate and Arm	Lay Type	
DPL-TP30ZSMF	Slide Plate and Arm	Lay Type	With
DPL-TP30ZSK	Slide Plate and Arm	Surface Mounted Type	
DPL-TP30FMF	Flat Arm	Lay Type	With
DPL-TP30FMWF	Flat Wide Arm	Lay Type	With
DPL-TP30ZSM-FV	Slide Plate and Arm	Lay Type	with

“CRIOS” AUTO LIFT



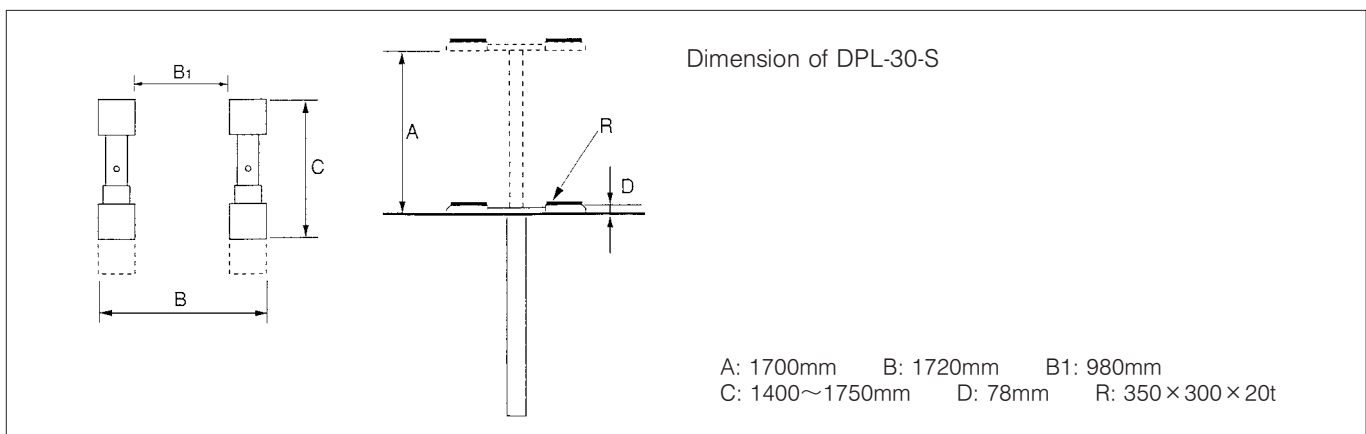
Model	DPL-302AS	DPL-302AF	DPL-302AMF	DPL-302AZMF	DPL-302AZMF-V
Carriage (Plate Arm)	Slide Plate	Arm	Flat Arm	Slide Plate & Arm	Slide Plate & Arm
Installation	Surface Mounted Type		Lay type		
Flat Kit	Not With		With		
Applicable	Light Car. Small Passenger Car	Light Car. Small Passenger Car. Small Truck			
Plate Dimensions	1,300~2,100(L) × 556(W) × Approx. 50(T)mm	—	—	1,300~1,900(L) × 550(W)mm	1,300~1,900(L) × 468(W)mm
Arm Dimensions	—	525~925mm	600~1,100mm		605~1,070mm
Capacity	3,000kg				
Lift	1,800mm				
Distance Between Plungers	1,450mm	2,200mm		1,450mm	
Synchronizing/System/Plunger Diameter	Hydraulic (Remote Control) / φ 120mm				
Safety System	Mechanical Lock Type (Rotary Rack & Nail Type)				
Motor / Air Pressure	3 - ph. 2.2kW / 0.6~0.7Mpa				
Lifting Time	Approx. 49sec. (50Hz), Approx. 41sec. (60Hz)				
Oil Tank Capacity	Approx. 24L				
Weight	Approx. 1,400kg		Approx. 1,700kg		
Standard Accessories	Plate Lift Attachment, Oil 20L	Support Rubber for Passenger Car, Oil 20L		Plate Lift Attachment, Oil 20L	
Option	Wireless Remote Control				

“PASCAL” AUTO LIFT (PLATE TYPE)

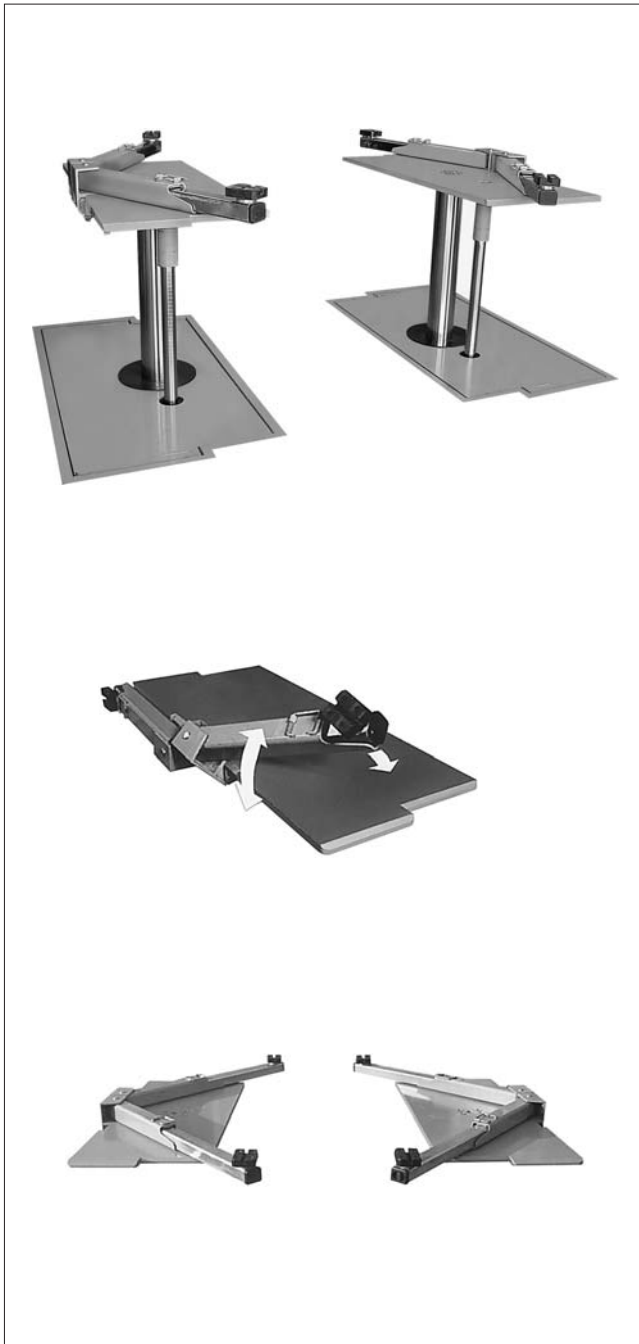


- “PASCAL” lift can be lift up and down smoothly. Because operation method is only use of hydraulic oil for hydraulic unit.
- “PASCAL” lift is water-proof type, so it can be used (with car washer) for car washing.
- “PASCAL” lift is equipped with no post. So the lift provides open space around the vehicle. When the lift is lowered, the floor surface become flat.

Model		DPL-30P	DPL-30-S
Plate Carriage		Fixed Type	Slide Type
Plate Dimensions	mm	L 1,400 W 550	L 1,400-1,750 W 370
Capacity	kg	3,000	
Lift	mm	1,700	
Between Plungers	mm	1,350	
Ram Dia.	mm	106	
Lifting Time		Approx. 39sec. (50Hz)	
Synchronization		Hydraulic Synchronization	
Operating Method		Electrical Hydraulic	
Motor	kw	3 - ph 2.2	
Option		Plate Lift attachment (PLA-2, -3, -4, -15)	
Weight	kg	Approx. 450	Approx. 500



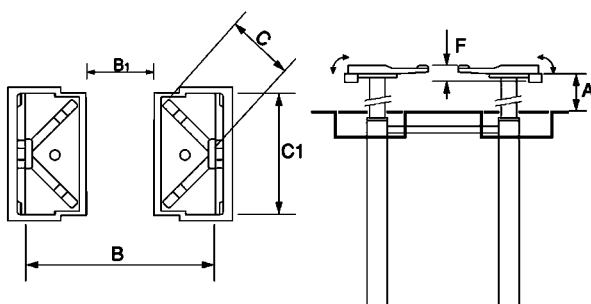
Z PASCAL LIFT



- We set the swing arm to the plate, therefore this model can fit to various type of vehicle. In case of not using the swing arm, it is stored beside of the plate and the plate surface becomes flat. It is very useful for pass through use.
- If install the optional "Flat Kit", in spite of the lift up, the floor keeps flat. (Flat Kit is operated by air cylinder) It is useful for oil drain, mission removing, etc.
- When the lift at the lowest position, the plate and arm is always flat as the floor.

Model	DPL-40Z	
Capacity	kg	3,000
Applicable Vehicle	Light Car to Passenger Car, Light Truck (Except Long Body Type)	
Lift	mm	1,700
Between Plungers	mm	1,450
Saddle	On-Floor Plate/Arm Under Floor Plate/Arm	
Plate Dimensions	mm	1,400(L) × 500(W)
RAM Dia.	mm	135
Lifting Time	sec.	Approx. 55
Synchronization	Hydraulic Synchronization	
Operating Method	Electrical Hydraulic	
Motor	kW	3-ph., 2.2
Operation	Remote Control	
Standard Accessory	Plate Lift Attachment (PLA-2)	
Option	Plate Lift Attachment (PLA-3, -4, -15) Truck Adapter (DPL-FT-OP-H, -L, -LS) Flat Kit (For Under Floor Plate/Arm)	
Weight	kg	Approx. 900

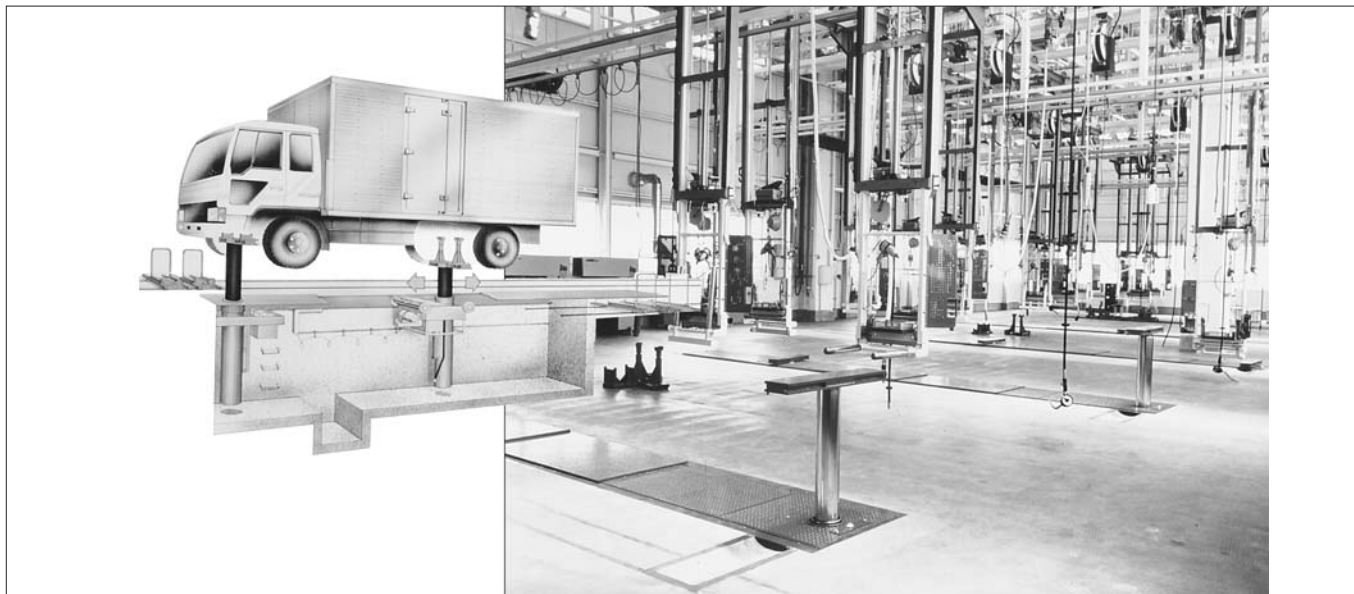
Dimensions of DPL-40ZFK



A: 1700mm B1: 950mm C1: 1400mm
 B: 1950mm C: 598~1100mm F: 109~145mm

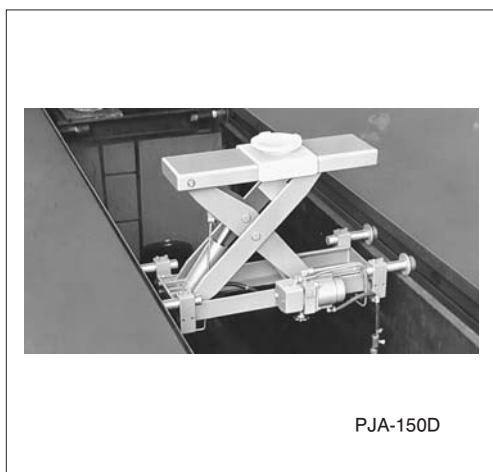
SUPER TWIN ACE

- This lift can use for vehicle washing.
- This lift have mechanical lock as safety device.
- Position adjustment of lift height can do accurately by inching operation of lift-down due to rack- method of mechanical lock.
- Lift-down can do smoothly without lift-up.
- This lift have sensor for water level in pit, so it can confirm of water level from outside of pit easily.



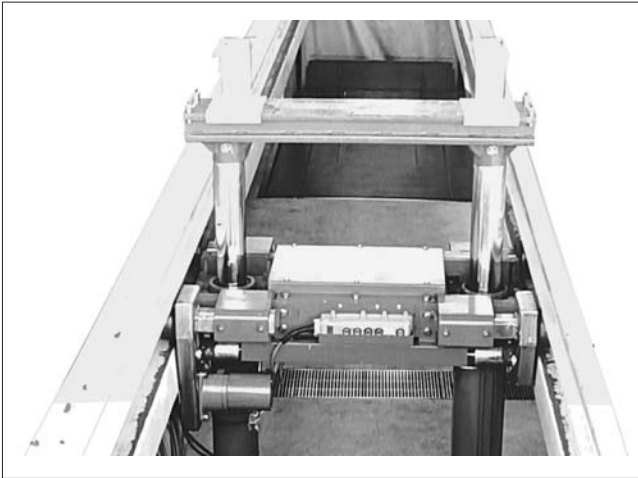
Model	WSL-PSFU240-B	WSL-PSFU240-T	WSL-PSFU300-B	WSL-PSFU300-T
Applicable	Large Truck	Bus	Large Truck	
Capacity	ton	24 (12 + 12)	30 (15 + 15)	30 (15 + 15)
Lift	mm	1,300	1,300	
Lifting Time	sec.	Approx. 100	Approx. 100	
Post Diameter	mm	267	267	
Cylinder Diameter	mm	100	100	
Post Interval	mm	Min. 3,000 – Max. 9,000	Min. 3,000 – Max. 9,000	
Safety Device		Mechanical Locking	Mechanical Locking	
Operating Method		Hydraulic Pump Unit × 2	Hydraulic Pump Unit × 2	
Operating		Remote Control	Remote Control	
Motor		3-Ph., 2.2kW × 2	3-Ph., 2.2kW × 2	
Oil Tank Capacity		Approx. 28 ℓ × 2	Approx. 28 ℓ × 2	

PIT LIFT



Model	PJA-150D	PJA-500	PJA-1000	
Capacity	kg	1,500	5,000	10,000
Lift	mm	320	450	450
Saddle Height Min.	mm	100	125	150
Saddle Height Max.	mm	420	575	600
Saddle Side-to-side Movement	mm	342	375	375
Overall Height	mm	313	965	1,005
Width of Saddle Base	mm	420	470	500
Pit Width (Adjustable Range)	mm	750-950	750-1,000	750-1,000
Air Pressure	MPa(kgf/cm ²)	0.59 – 1.37 (6 – 14)		
Weight	kg	Approx. 85	Approx. 100	Approx. 160

TWO POST PIT LIFT

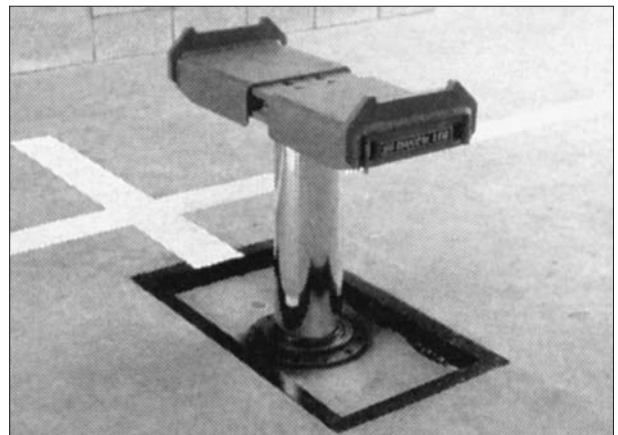


Model		PJA-1200M
Capacity	ton	12
Lift	mm	700
Motor		3-ph. for Pump 2.2kW for Run 0.1kW
Lifting Time		60sec./50Hz 50sec./60Hz
Running Speed	m/min.	5.4/50Hz, 6.5/60Hz
Pit Width	mm	1,000 (900mm available)

FRONT END AUTO LIFT



- Position adjustment of lift height can do accurately by inching operation of lift-down.
- At the time of load and no-load for lift, lift-down speed is the same.
So it can do lift-down rapidly.
- Model TL-PS100A and TL-PS150A have mechanical lock as safety device.



Model		TL-P40AN	TL-P100AN	TL-PS100A	TL-PS150A
Capacity	kg	4,000	10,000	10,000	15,000
Lift	mm	850	1,100	1,000	1,000
Capacity	kg	4,000	10,000	10,000	15,000
Plunger Diameter	mm	φ 135	φ 165	Post Diameter φ 267 Piston Diameter φ 100	Post Diameter φ 267 Piston Diameter φ 110
Motor	kW	3-ph., 2.2	3-ph., 2.2	3-ph., 2.2	3-ph., 2.2
Operating Method		Remote Control Electric Hydraulic Pump	Remote Control Electric Hydraulic Pump	Remote Control Electric Hydraulic Pump	Remote Control Electric Hydraulic Pump
Weight	kg	Approx. 300	Approx. 440	Approx. 500	Approx. 550

WORK STAGE F (FOUR POST LIFT)

This lift has functions as a drive-on type lift as well as a free wheel type lift.

Having a high lifting height, this lift enables the worker to take his easy posture during the operation.

Moreover, the minimum height is low.

This feature makes possible easier entry and exit of a vehicle.



WSF-302

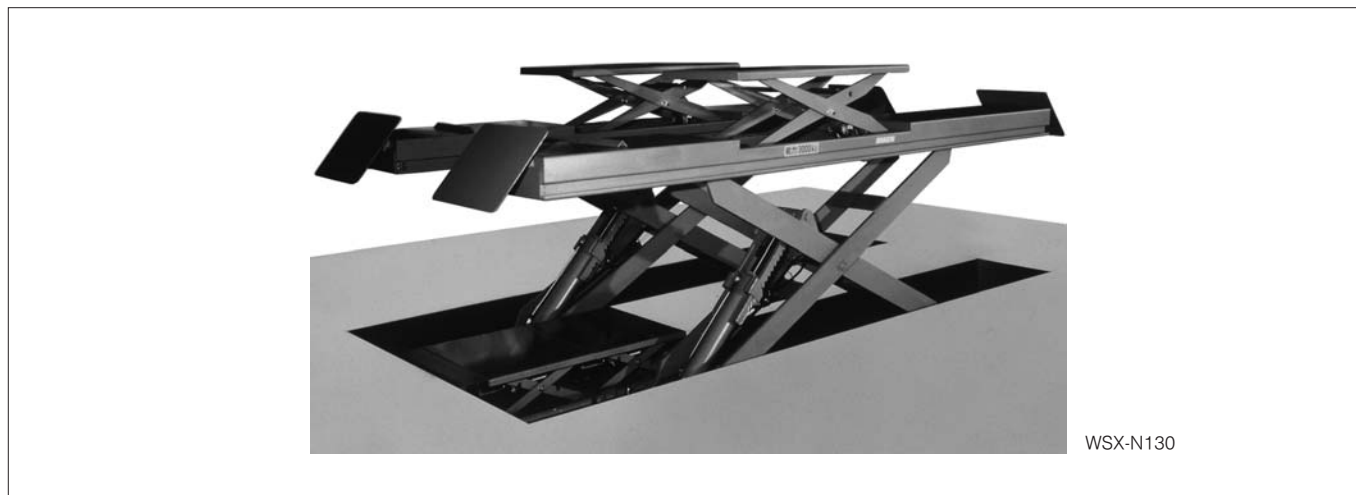
Model		WSF-302	WSF-3500
Capacity	kg	3,000	3,500
Height	mm	2,450	2,200
Width × Length	mm	3,110 × 5,455	3,350 × 6,355
Run Way Width	mm	560	610
Run Way Height	mm	Min. 110 Max. 1,810	Min. 110 Max. 1,810
Lift	mm	1,700	1,700
Lift Height	mm	–	3,720
Applicable Wheel Base	mm	Under 3,200	Under 4,100
Applicable Tread	mm	1,100 – 1,800	1,100 – 1,900
Lifting Time	50/60Hz	Approx. 60sec./50sec.	Approx. 50sec./40sec.
Motor	kW	3-ph., 1.5	3-ph., 2.2
Weight	kg	Approx. 1,200	Approx. 1,850
Standard Accessories		Drive-on Board × 2, Fix Bar × 1 Tire Stopper × 2, Saddle (75mm) × 4	
Option		Saddle (40mm) × 4	

Not Good for Car Washing.

PANTOGRAPH TYPE LIFT

This lift has no post. This features makes possible easier layout in a work shop. Also, the work shop can be used more spaciouly.

This single unit of lift is capable of performing lift operations as a drive-on type as well as a free wheel type.



WSX-N130

Model	WSX-N130	WSX-N130-SL	WSX-N131	WSX-N130Z
Components	Main lift, Free wheel lift (Fixed plate type)	Main lift, Free wheel lift (Slide plate type)	Main lift	Main lift, Free wheel with arm (Fixed plate type)
Capacity	kg	3,000		
Lift	mm	Main Lift 1650, Free Wheel Lift 350		
Motor	kW	3 – ph 2.2		
Air Pressure	Mpa	0.6~0.9		

PANTOGRAPH TYPE LIFT



WSX-40 (Pit Lift is optional)

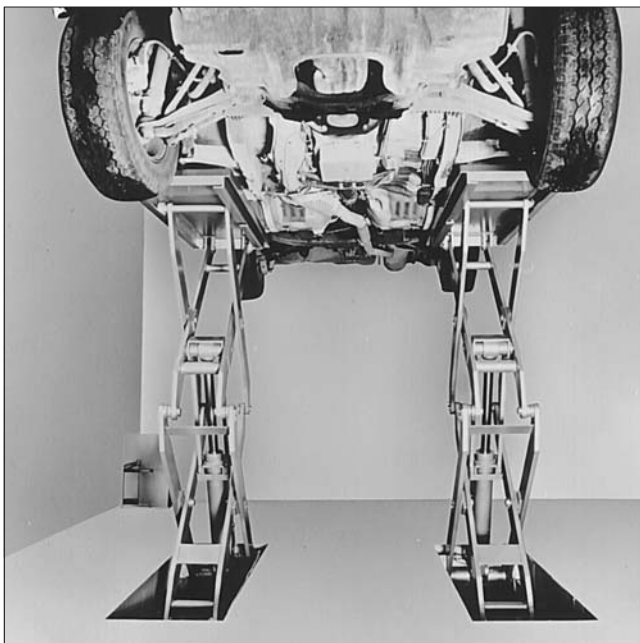
• WSX-40 Specification

Capacity	kg	4,000 (Main Lift/Free-Wheel Lift)
Lift	mm	1,600 (Main Lift) 350 (Free-Wheel Lift)
Applicable		Light Car-Micro Bus
Applicable Wheel Base	mm	Max. 3,950
Motor	kW	3-ph., 2.2
Air Pressure	MPa(kgf/cm ²)	0.39 – 0.97 (4 – 9.9)
Dimensions (L × W × H)	mm	4,660 × 2,055 × 376
Run Way Size (One Side)	(L × W) mm	4,520 × 605
Free-Wheel Lift Plate Size	(L × W) mm	1,400 – 2,100 × 512
Weight	kg	2,255

Not Good for Car Washing.

EAGLE LIFT (PANTOGRAPH TYPE LIFT)

The lift of this type is equipped with no post. Hence, the lift provides open space around the vehicle. Consequently, the door can be opened fully. When the lift is lowered, the floor surface becomes flat, thereby offering a roomy space. Moreover, you can perform washing with the vehicle raised. Also, the type with a pit depth of 230mm is available, which features easy installation on a second floor or upper floor.



Model	EGY-F25AW	EGY-F25A-SL
Hydraulic Unit	Included	
Capacity	ton	
Operating Method	Hydraulic Pump Remote Control	
Operating Lift	mm	
Plate Size	mm	mm
Lifting Time	sec.	
Motor	kW	
Air Pressure	MPa(kgf/cm ²)	
Safety Device	Safety Stopper, Stop Valve	
Dimensions (W × L × H)	mm	mm
Pit Depth	mm	mm
Weight	kg	kg

Not Good for Car Washing.

EAGLE LIFT II (PANTOGRAPH TYPE LIFT)

- Easy for drive-on
- Also possible to install on-floor
- New developed hydraulic synchronize device can synchronized both plate.



EGY-25L-SL

Model		EGY-25L	EGY-25L-SL	EGY-25LM	EGY-25LM-SL
Installation		On-Floor		In-Ground	
Plate		Fix	Slide	Fix	Slide
Hydraulic Unit		Separated			
Capacity ton		2.5			
Plate	Min. Height mm	100	105	0	0
	Max. Height mm	1,900	1,905	1,800	1,800
	Lift mm	1,800	1,800	1,800	1,800
	Side (W × L) mm	650 × 1,400	680 × 1,460 -2,100	650 × 1,400	680 × 1,460 -2,100
Motor kW		3-ph., 2-2			
Air Pressure MPa (kgf/cm ²)		0.59 – 0.97 (6 – 9.9)			
Safety Device		Safety Stopper, Stop Valve			
Standard Accessory	Drive-On Board	○	○	–	–
	On-Floor Connecting Pipe Cover	○	○	–	–
	In-Ground Connecting Pipe Cover	–	–	○	○

Not Good for Car Washing.

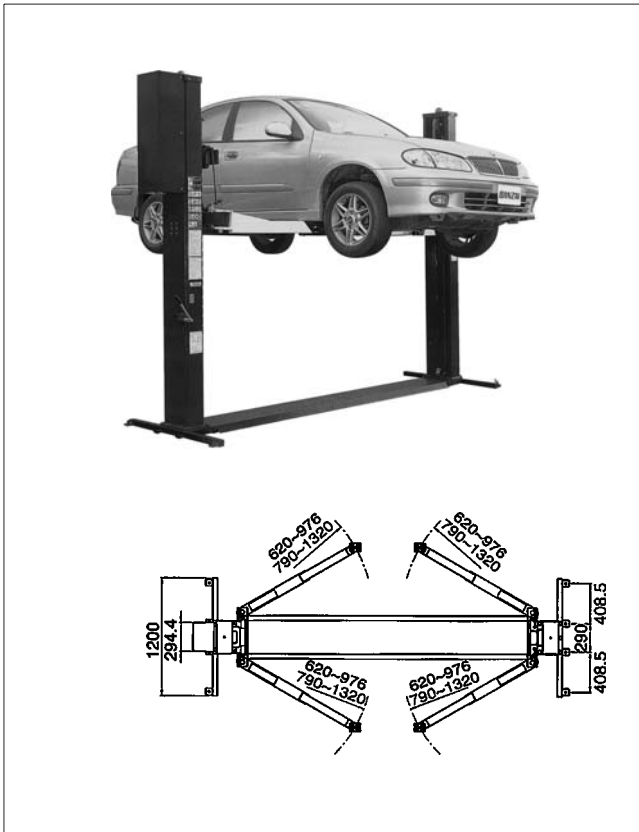
PANTOGRAPH TYPE LIFT



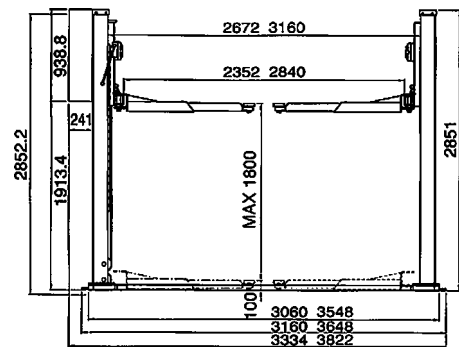
Model		XL-30TW
Capacity	kg	3,000
Operating Method		Electric Hydraulic Pump
Lift Min. – Max.	mm	0 – 1,700
Lifting Time	sec.	Approx. 45
Plate Size	mm	570 × 1,530
Dimensions (L × W × H)	mm	1,420 × 2,000 × 490
Pit Depth	mm	300
Weight	kg	798

Not Good for Car Washing.

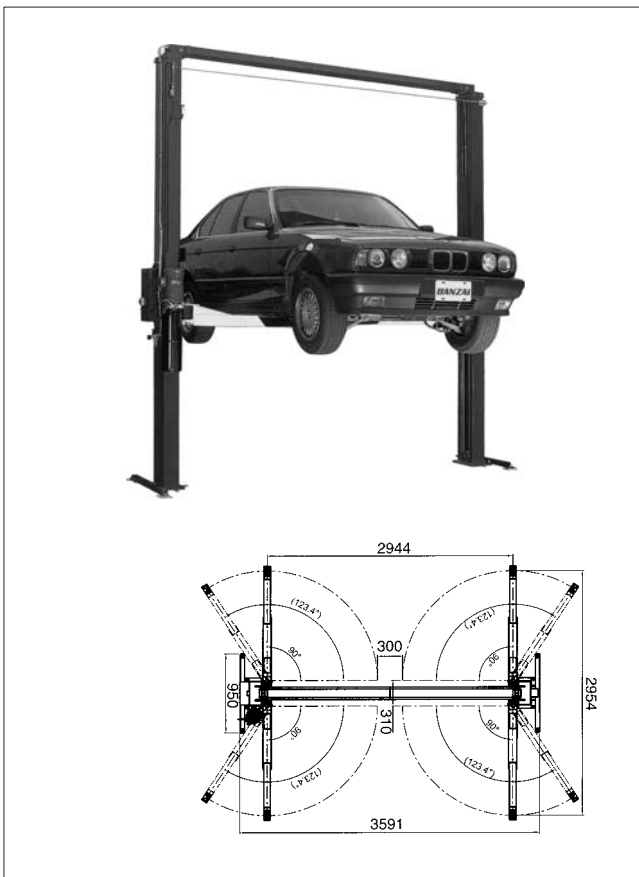
TWO POST LIFT



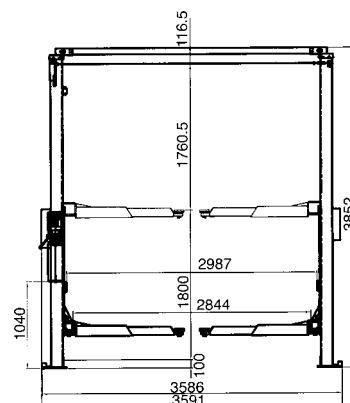
Model	TP-25TWN2	TP-30TWN2
Max Loading Weight	2,500kg	3,000kg
Stroke	1,800mm	
Horsepower	2 HP	
Voltage	AC 220 50Hz	AC 380 AC 415 60Hz
Chain	BL644 BL846	
Lifting Time	about 38 sec	
Operation	Hydraulic	
Control	Hand operated	



GATE LIFT



Model	GL-30TWN
Max Loading Weight	3,000kg
Stroke	1,800mm
Horsepower	3 HP
Voltage	AC 220 AC 380 AC 415 50Hz 60Hz
Wire	1/2"
Lifting Time	about 38 sec
Operation	Hydraulic
Control	Hand operated



GATE LIFT (TWO POST SURFACE MOUNTED TYPE)



- It is easy to set the support pads because the arm rotation are free up to 200mm from the floor. Above 200mm, it will be automatically locked.
- The stoppers for unexpected descend are locked on during the work. They can be unlocked by air cylinders.
- The top beam can be set at the 9 positions according to the ceiling of the workshop.

Model		GPY-25NA	GPY-30NA
Capacity	kg	2,500	3,000
Lift	mm	1,700	1,800
Saddle Height	mm	Min. 120	Min. 120
Width × Depth	mm	3,380 × 1,230	3,674 × 1,230
Height	mm	2,795~4,005	3,095~4,200
Motor	kW	3 - ph 1.5	3 - ph 2.2
Air Pressure	Mpa	0.7~1.0	0.7~1.0

Z EAGLE LIFT



Model	ZLY-30AS2	ZLY-30BS2	ZLY-30ARS2	ZLY-30BRS2
Pump Unit	Built-in	Separate	Built-in	Separate
Arm Movement	Manual		Air	
Capacity	kg	3,000		
Applicable Vehicle	Light Car, Passenger Car, Rv.1 Box, Light Truck			
Lift	mm	1,800		
Dimensions	mm	2,600(W) × 2,150(D) × 490(H)		
Plate Size	mm	1,300 - 1,850 × 492		
Plate	Slide Plate			
Arm Length	mm	600 - 1,100		
Safety Device	Mechanical Lock (Air Operated)			
Driving	Electric-hydraulic			
Operating Method	Remote-control (Wired)			
Motor	kW	3-ph., 1.5		
Lifting Time	sec.	Approx. 60		
Air Pressure	Mpa	0.7 - 1.0		
Standard Accessory	Flat Kit for Arm, Attachment Storage Box, Plate Lift Attachment, Rubber Pad			
Option	Truck Adaptor, Plate Lift Attachment			

HYDRAULIC GARAGE JACK


M-220M

M-300M

M-1000M

M-2000M

Model		M-150HL	M-200L	M-220M	M-300M	M-500M	M-1000M	M-2000M
Capacity	ton	1.5	2	2.2	3	5	10	18
Saddle Height Min. – Max.	mm	95 – 812	105 – 605	120 – 480	130 – 610	150 – 560	160 – 560	190 – 610
Lift	mm	717	500	360	480	410	400	420
Overall Dimensions (L × W × H)	mm	1,010 × 375 × 1,205	1,083 × 286 × 1,140	685 × 385 × 1,263	1,435 × 250 × 1,230	1,420 × 300 × 1,215	1,560 × 335 × 1,290	1,698 × 370 × 1,450
Frame Height	mm	170	125	160	190	200	250	260
Weight	kg	Approx. 68	Approx. 70	Approx. 50	Approx. 75	Approx. 100	Approx. 150	Approx. 230
Reference		Low Saddle	Low Saddle	–	–	–	–	Short Type
Applicable		Small Truck Passenger Car	Small Truck Passenger Car	Small Truck Passenger Car	Small Truck Passenger Car	Truck Bus	Truck Bus	Heavy Vehicle

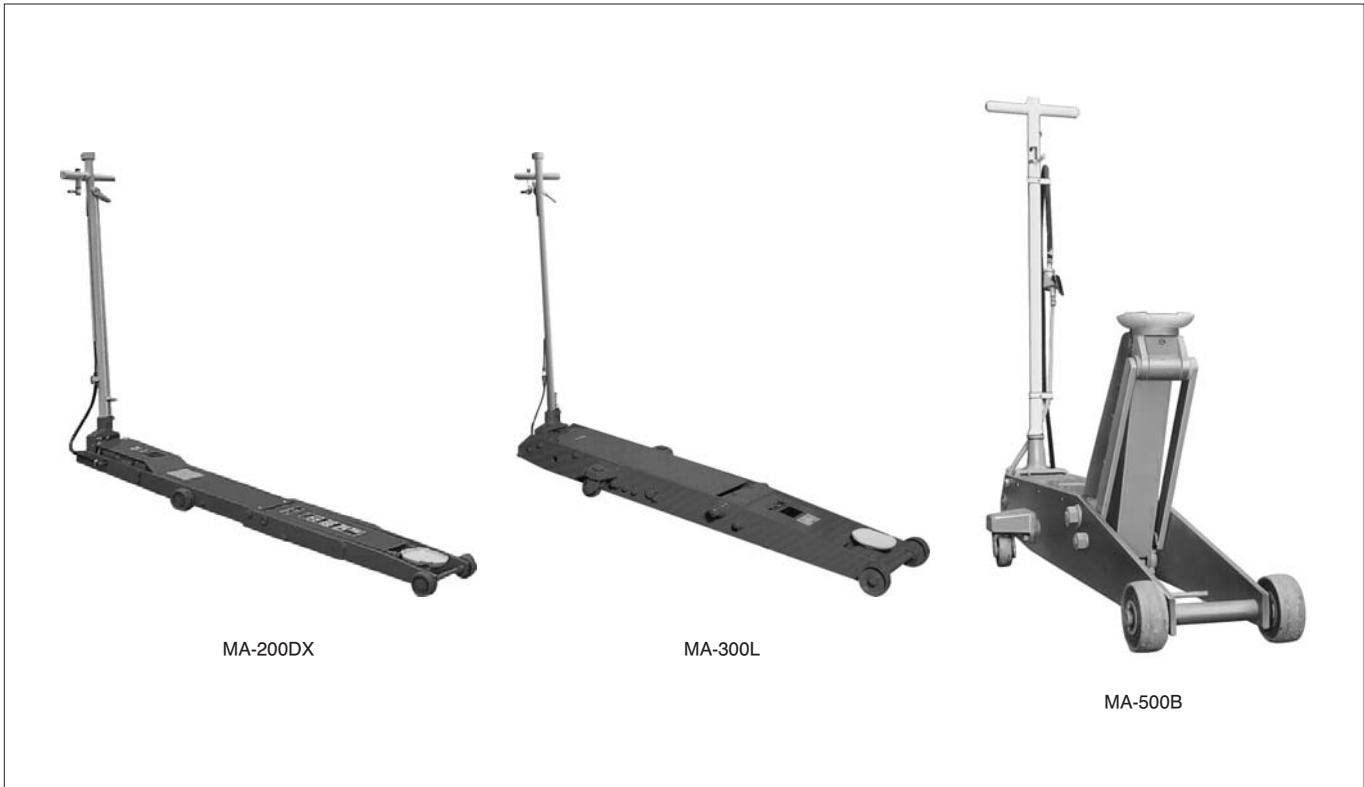
AIR-HYDRAULIC GARAGE JACK

You can perform even quick jobs comfortably, simply operating the air valve.

Furthermore, there is no need for labor assistance for the worker.

The automatic air pump can carry out everything.

In the case of Models MA-200X, 200LS, 300B,500B and 1000B, it is possible to operate them manually, besides the air operating method.



Model	MA-200X	MA-200LS	MA-200DX	MA-300B	MA-300L	MA-500B	MA-1000B	MA-1500LS
Capacity ton	2	2	2	3	3	5	10	15
Saddle Height Min. – Max. mm	95 – 508	120 – 620	80 – 500	130 – 610	120 – 600	150 – 560	160 – 560	175 – 650
Lift mm	413	500	420	480	480	410	400	475
Dimensions								
Length mm	870	1,083	1,515	1,468	1,600	1,420	1,560	1,745
Width mm	372	398	420	372	470	378	470	505
Height mm	1,265	1,140	1,135	1,208	1,140	1,215	1,440	1,420
Frame Height mm	160	125	80	190	125	200	250	230
Time Required for Lifting Speed (no load) sec.	20	25	30	50	50	55	70	60
Operating Air Pressure MPa	0.7 – 1.0	0.8 – 1.4	0.8 – 1.4	0.7 – 1.4	0.8 – 1.4	0.6 – 1.4	0.7 – 1.4	0.7 – 1.4
Weight kg	Approx. 55	Approx. 72	Approx. 95	Approx. 80	Approx. 130	Approx. 114	Approx. 155	Approx. 340
Air Consumption (Air Pressure 0.9MPa) ℓ	220	200	460	630	530	670	1,100	1,800
Required Compressor kW	2.2	2.2	2.2	2.2	2.2	2.2	3.7	3.7
Note	–	High Stroke Low Saddle	Low Saddle	–	Low Saddle	–	–	–
Applicable Vehicles	Passenger Car Small Truck	Passenger Car Small Truck	Passenger Car Small Truck	Small – Mid. Truck	Passenger Car Small Truck	Truck, Bus	Truck, Bus	Heavy Vehicle

WRECKER JACK



Model		WJ-150
Capacity	kg	1,500
Saddle Height Min. – Max.	mm	135 – 495
Overall Height (Including Handle)	mm	1,807

AIR-HYDRAULIC JACK

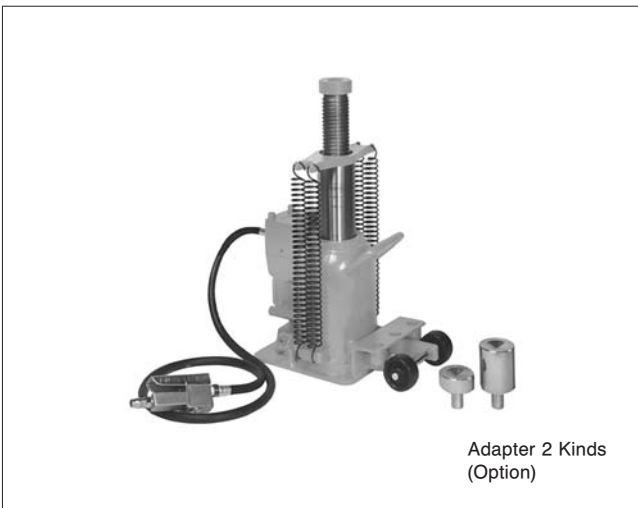


For the operation, this jack employs a push valve mechanism.

You can lift even a large-sized motor vehicle, simply pushing the valve.

Model		AJ-20C	AJ-25L	AJ-40B
Capacity	ton	20	25	40
Saddle Height Min.	mm	205	165	215
Saddle Height Max.	mm	430	420	390
Lift	mm	120	120	100
Width	mm	326	326	363
Height	mm	1,430	1,430	1,442
Air Pressure	MPa	0.58 – 1.37	0.68 – 1.37	0.58 – 1.37
Weight	kg	46	46	65
Standard Adapter	mm	$\phi 70 \times L20$	15, 75, 150	$\phi 100 \times L30$
Optional Adapter	mm	$\phi 50 \times L20$ $\phi 50 \times L60$ $50 \times L100$		$\phi 60 \times L30$ $\phi 60 \times L70$ $\phi 60 \times L110$

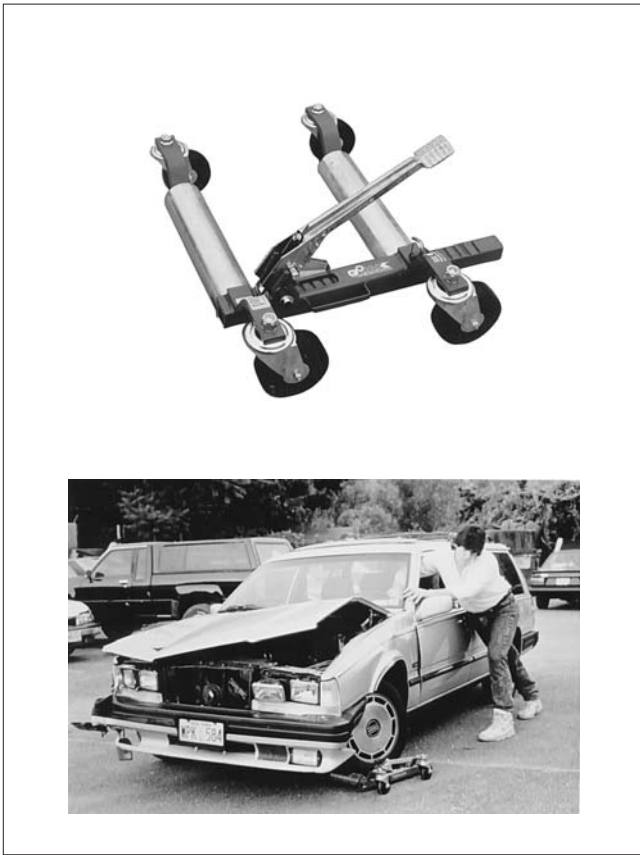
AIR HYDRAULIC PORTABLE JACK



Adapter 2 Kinds (Option)

Model		APJ-200	APJ-250
Capacity	ton	20	25
Min. Height	mm	210	230
Lift	mm	120	120
Sub Screw	mm	105	105
Max. Height	mm	435	455
Air Pressure	MPa	0.68 – 0.97	0.68 – 0.97
Weight	kg	14	18.5

“GOJAK” PORTABLE AUTO CARRIER



Model		5000	6000
Capacity			
Per Wheel	kg	562.5	675
Total for 4 Wheels	kg	2,250	2,700
Applicable Tire			
Tire Width	mm	225	330
Tire Outer Diameter	mm	460 – 810	460 – 890
Weight	kg	13.6	17.2

- One set of two pcs.

PORTABLE HYDRAULIC JACK



• Gauge Type

Model	Capacity ton	Height Min. – Max. mm	Weight kg
MH-10P	10	240 – 470	10.5
MH-15P	15	265 – 510	14.5
MH-20P	20	270 – 430	15.9

• Fork Type

MHC-2RS	Side Hook 2 Top 5	Side Hook 16 – 129	12
MHC-5RS	Side Hook 5 Top 10	Side Hook 22 – 142	20
MHC-10RS	Side Hook 10 Top 20	Side Hook 28 – 173	34

PORTABLE HYDRAULIC JACK



• Standard Type

Model	Capacity ton	Min. Height mm	Lift mm	Auxiliary Screw Lift mm	Max. Height mm	Base Dimension mm	Handle Dimension mm	Weight kg
MS-2	2	180	115	50	345	110×65	19φ×440	2.4
MS-3	3	190	115	60	365	72×115	19φ×440	2.7
MN-4	4	190	115	70	375	131×76	22φ×490	4.0
MH-5	5	200	120	70	390	142×82	22φ×490	4.6
MH-7	7	200	120	70	390	151×90	22φ×600	5.5
MH-10	10	240	150	80	470	166×106	22φ×600	7.9
MH-15	15	265	165	80	510	180×118	22φ×600	10.4
MH-20	20	270	160	—	430	182×128	27φ×730	12.1
MH-30Y	30	280	160	—	440	192×142	27φ×800	18.5
MH-50Y	50	305	170	—	475	237×188	27φ×1,000	37.0
MH-100Y	100	305	145	—	450	318×265	27φ×1,000	93.0

• Air Suspension Type

MHB-10	10	170	95	75	340	166×106	22φ×600	6.4
MHB-15	15	170	90	70	330	180×118	22φ×600	8.0
MHB-20	20	180	85	40	305	182×128	27φ×730	10.1
MHB-30Y	30	180	80	—	260	192×142	27φ×800	14.0

• Mini Type

MMJ-5C	5	58	20	—	78	74φ	13.8φ×240	2.0
MMJ-10	10	120	30	—	150	108φ	18φ×440	5.4
MMJ-20	20	130	30	—	160	120φ	20φ×680	8.4
MMJ-50Y	50	140	30	—	170	178φ	22φ×750	19.2

• Lock Type

MH-5LS	5	225	120	70	415	151×90	22φ×545	6.2
MH-10LS	10	300	165	80	545	180×118	22φ×680	12.5
MH-20L	20	310	160	—	470	182×128	28φ×800	15.2

• Long Type

MHL-2	2	550	480	—	1,030	134×77	22φ×490	8.7
MHL-20	20	685	490	—	1,175	240×145	28φ×800	51.7

• For Folklift

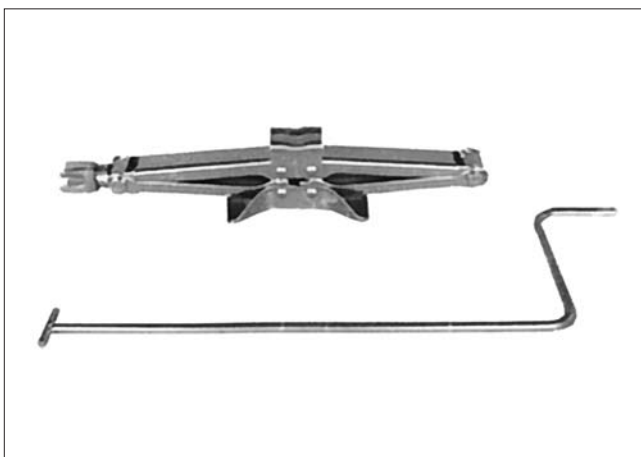
HFD-10F	10	160	100	— (Double)	260	180×118	22φ×600	7.7
----------------	----	-----	-----	---------------	-----	---------	---------	-----

PORTABLE SCREW JACK



Model		HS-2DN	AHS-2N
Capacity	ton	2	2
Mini. Height	mm	162	150
Max. Height	mm	327	318
Auxiliary Screw Lift	mm	63	–
Handle Length	mm	650	650
Weight	kg	3.5	3.8

SCISSORS JACK



Model		P-10
Capacity	kg	800
Min. Height	mm	100
Max. Height	mm	390
Handle Length	mm	630
Weight	kg	2.8

FLAME LIFT



Model		FL-5000L	FL-8000L	FL-14000
Capacity	kg	3,500	6,500	14,000
Saddle Height	mm	410 – 1,480	410 – 1,480	410 – 1,480
Lift	mm	870	870	870
Arm Length	mm	510	610	610

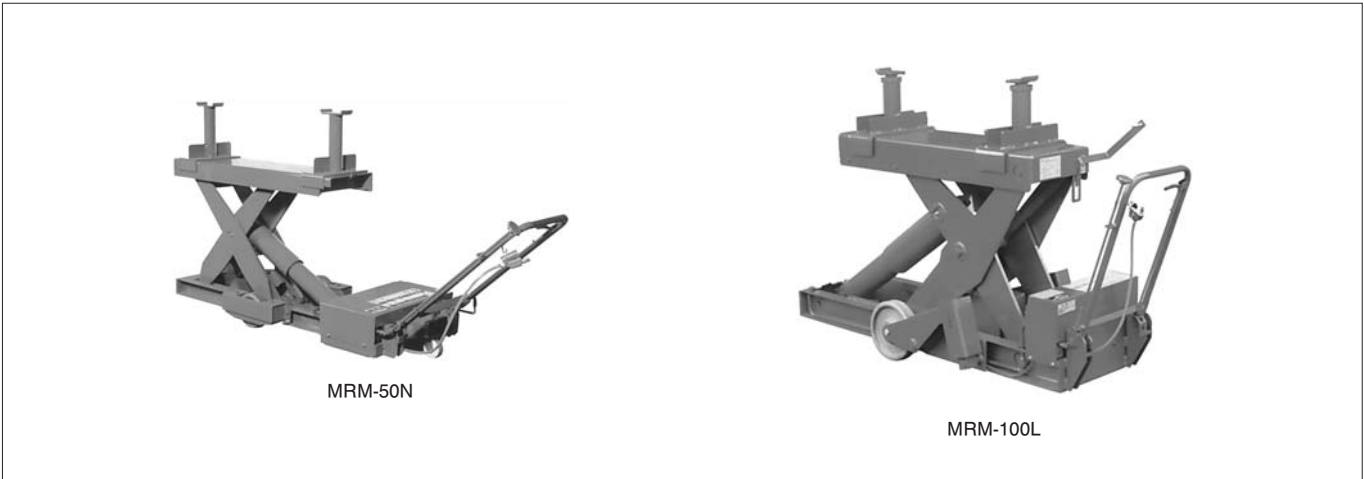
Model		FLX-3500L	FLX-8000L	FLX-14000
Capacity	kg	3,500	7,000	12,000
Saddle Height	mm	160 – 930	215 – 980	340 – 1,300
Lift	mm	770	740	760
Arm Length	mm	1,500	1,924	1,750

VERTICAL LIFT



Model		VALY-10A
Capacity	ton	10
Saddle Height Min. – Max.	mm	180 – 705
Lift	mm	520
L × W × H	mm	1,650 × 790 × 1,305
Frame Width × Overall Width	mm	530 × 660
Height	mm	300
Weight	kg	355
Lifting Time	sec.	105 (unloaded)
Air Pressure	kgf/cm ²	7 – 14

“MOVING RACK” LIFTING JACK



MRM-50N

MRM-100L

Model		MRM-50N	MRM-100L	MRM-150L
Capacity	kg	5,000	10,000	15,000
Min. Height – Max. Height	mm	203 – 683	300 – 900	303 – 903
Width × Length	mm	520 × 2,085	700 × 2,460	770 × 2,490
Working Pressure	MPa	0.8 – 1.4	0.8 – 1.4	0.96 – 1.4
Weight	kg	Approx. 200	Approx. 428	Approx. 525

DIFF-JACK



Model		DJ-50
Capacity	kg	500
Saddle Height	mm	Min. – Max. 140 – 600
Lift	mm	460
Dimensions (L × W × H)	mm	1,070 × 610 × 370
Operating Method		Manual Hydraulic
Adjustment of Supporting Plate		By Screw Turning
Differential Fit-up Weight	kg	By Chuck Approx. 50

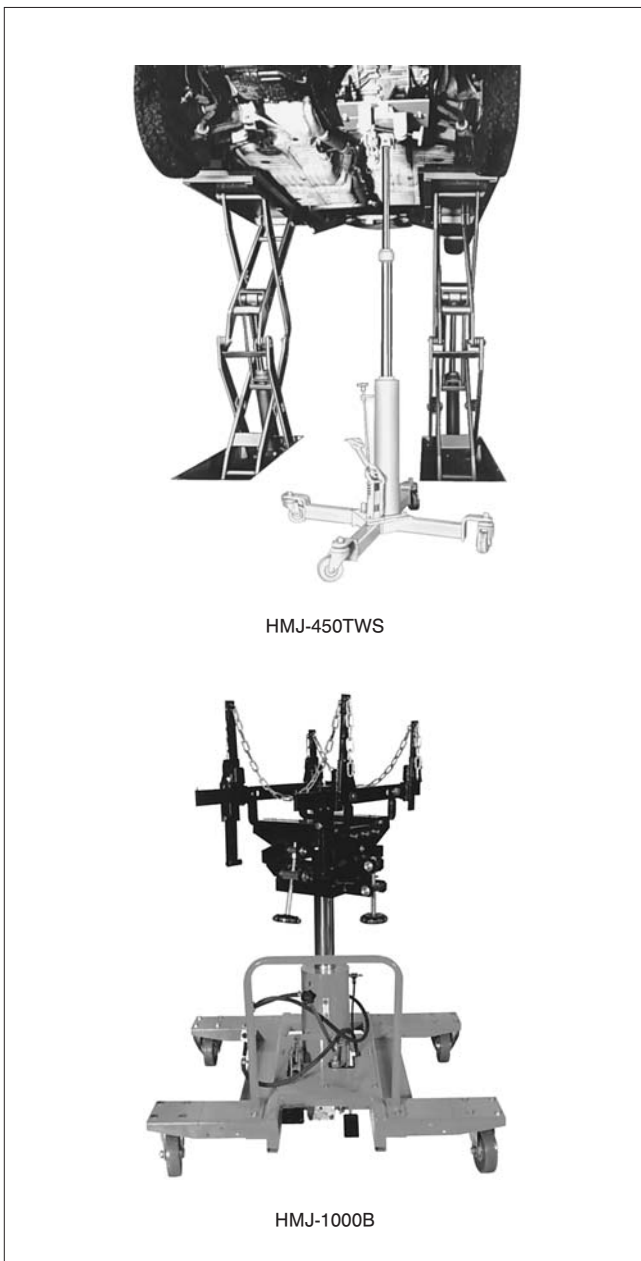
Standard Accessory: Attachment for Differential of 2-axle car.

TRANSMISSION JACK



Model		HUJ-800B	HUJ-1500B
Capacity	kg	800	1,500
Lift	mm	610	710
Saddle Height			
Min.	mm	195	160
Max.	mm	805	870
Saddle Inclination Degree		60° Forward 10° Backward	30° Forward 15° Backward
Length	mm	865	1,130
Width	mm	430	650
Height	mm	330	290
Weight	kg	60	135

TRANSMISSION JACK (HIGH LIFT TYPE)



Model		HMJ-450TWS	HMJ-1000B
Capacity	kg	450	1,000
Min. Height	mm	Base Plate 830	Saddle 785
Max. Height	mm	Base Plate 1,743	Saddle 1,535
Lift	mm	913	750
Operating Method		Hydraulic Pedal	Air-Hydraulic
Operating Air Pressure	MPa (kgf/cm ²)	—	0.49 – 1.37 (5 – 14)
Base Plate Tilting Angle		30° Forward 15° Backward 15° Left 15° Right	10° Forward 10° Backward 10° Left 10° Right
Dimensions	mm	(W) 904	(H)535 ×(L)655
Weight	kg	60	190

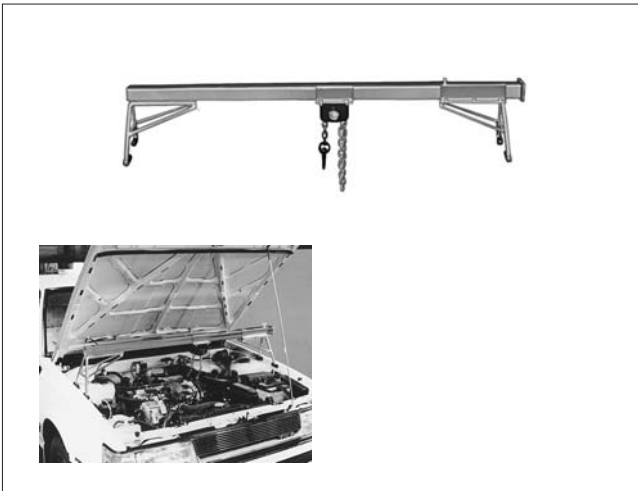
2 step cylinder

UNIVERSAL ENGINE LIFTER



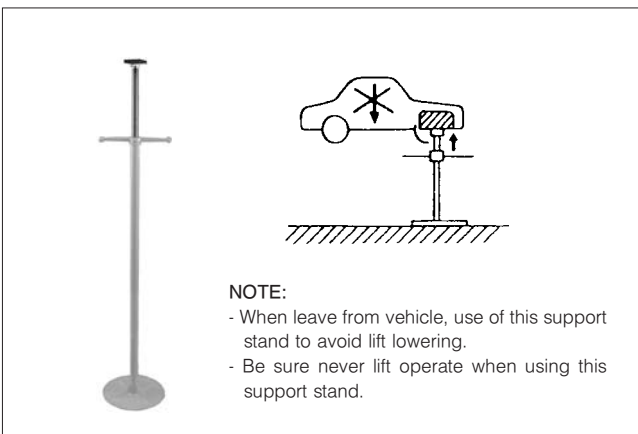
Model		UEL-500N
Capacity	kg	500
Saddle Height Min. – Max.	mm	700 – 1,700
Lift	mm	1,000
Saddle Size	mm	800×1,130
Operating Method		Air-Hydraulic & Pedal
Air Pressure	MPa(kgf/cm ²)	0.59 – 0.97 (6.0 – 9.9)
Weight	kg	210
Standard Accessories		Turn Buckle Chain (2sets)

ENGINE SUPPORT BRIDGE



Model		ESB-2
Capacity	kg	200
Bridge Length	mm	1,381
Foot Length	mm	276

SUPPORT STAND



Model		SS-300
Capacity	kg	300
Saddle Height Min. – Max.	mm	1,353 – 2,100
Weight	kg	Approx. 14

LIFTING EQUIPMENT

ENGINE SERVICE JACK



Model		EJ-15-3
Capacity	kg	1,500
Min. Height	mm	345
Lift	mm	200
Max. Height	mm	545
Length × Width	mm	1,800 × 825
Inclination Degree		15° for all sides
Weight	kg	Approx. 210

RIGID RACK



M-12B-5

M-12R-5

J-60S

Model		M-12B-5	M-12R-5	M-15-5	M-15LB-5	M-30C-5	M-50C-5	J-60S
Capacity	ton	1.5+1.5	1.5+1.5	2.5+2.5	2.5+2.5	3+3	5+5	6+6
Min. Height	mm	374	400	345	470	350	350	394
Max. Height	mm	480	507	545	770	550	550	634
Weight (per 1pc.)	kg	3.3	3.4	4.5	6.8	5.4	6.6	10
No. of Legs		3	3	3	3	3	3	4
Leg Rubber Cover		○	○	-	○	-	-	-
Saddle Rubber Pad		-	○	-	-	-	-	-

2pcs./set

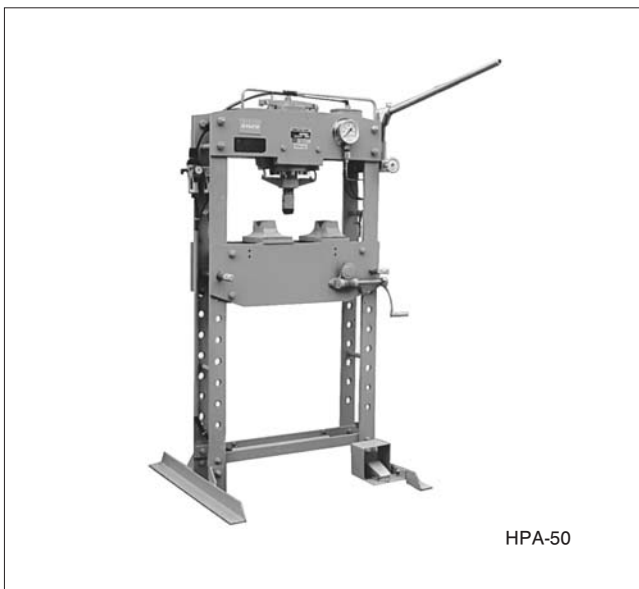
AUTO JACK STAND



Model		JS-600N
Capacity	ton	6 + 6
Min. Height	mm	580, 630, 680
Lift	mm	350
Frame Dimensions	mm	650 × 650
Air Pressure	MPa(kgf/cm ²)	0.59 – 1.37 (6.0 – 14)
Weight	kg	70 (per 1pc.)
Standard Accessories		Attachment A, B Saddle A, B

2pcs./set

AIR-HYDRAULIC PRESS



Model		HPA-50	HPA-100
Operating Method		Manual Type and Air Pump	Manual Type and Air Pump
Air Pressure	kgf/cm ²	6 – 9.9	6 – 9.9
Capacity	ton	35	60
Ram Stroke	mm	140	140
Auxiliary Screw Stroke		100	100
Overall Height	mm	1,705	2,040
Weight	kg	Approx. 310	Approx. 690
Standard Accessories		V Block 2pcs.	V Block 2pcs.

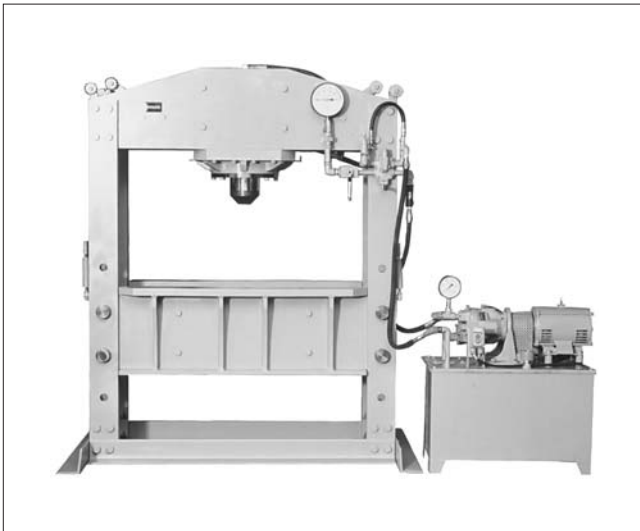
HYDRAULIC PRESS



Model		HP-10C	HP-30MD
Operation Method		Manual Type	Manual Type
Capacity	ton	5	15
Ram Stroke	mm	150	155
Auxiliary Screw Stroke		80	120
Overall Height	mm	1,320	1,600
Weight	kg	Approx. 80	Approx. 150
Standard Accessories		V Block 2pcs.	V Block 2pcs.

LIFTING EQUIPMENT

HYDRAULIC PRESS (ELECTRIC DRIVEN)



Model		HP-200E	HPE-100-3
Capacity	ton	100	
Ram Stroke	mm	220	250
Overall Height	mm	1,800	
Weight	kg	800	1,020
Electric Motor	kW	3-ph., 2.2	3-ph., 4
Hydraulic Tank	%	100	12

Electric motor driven (3-ph., 2.2kW) hydraulic pump equipped. Oil tank capacity 100-liters (oil not supplied). Hydraulic operation for adjusting height of press-bed. Please specify voltage and cycles when ordering.

ENGINE SADDLE



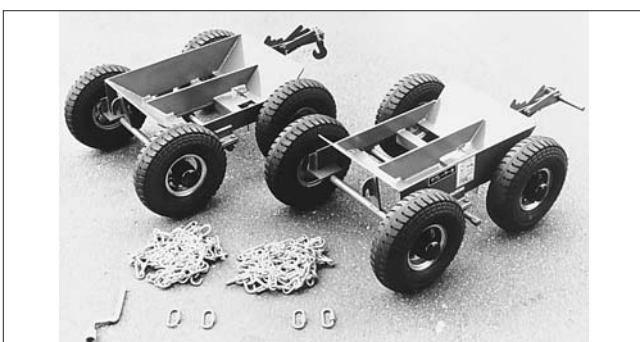
Model		KES-40
Capacity	kg	Max. 400
Dimensions (L x W x H)	mm	600 x 500 x 412
Weight	kg	30

HYDRAULIC OIL



Model	HO-2	HO-18
Contents	ℓ	18

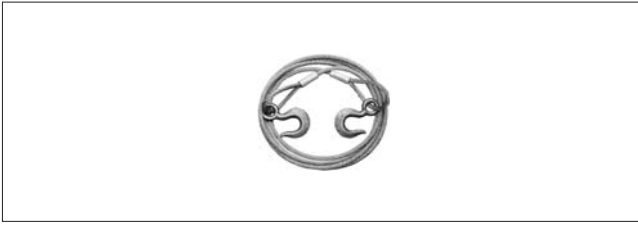
SUB WRECKER



Model		SR-300N
Capacity	kg	350/unit
Dimensions (L x W)	mm	790 x 525
Tire Size		300-4-4P04 wheels (per unit)

2units/set

TOWING WIRE-ROPE



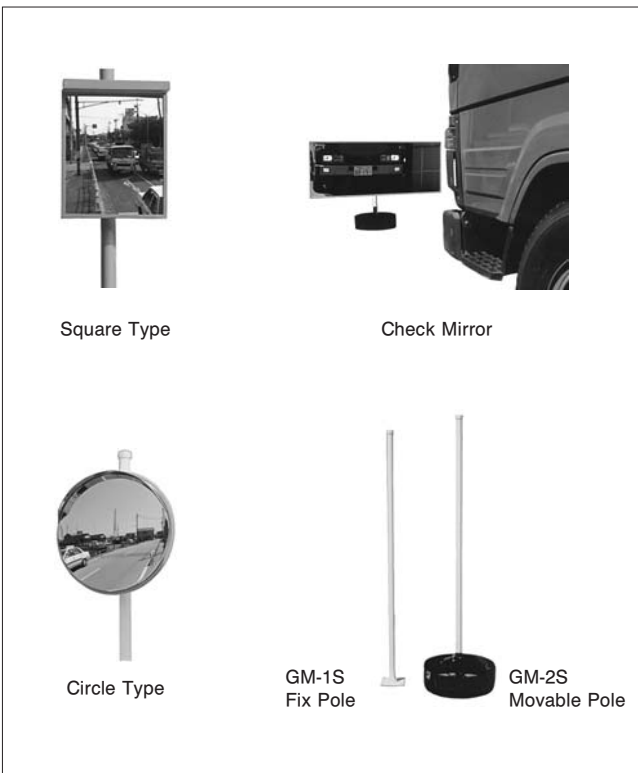
Model	Use	Length	Hook
PR-23AN	Passenger Car	12 φ mm × 5m	Without
PR-23BN	Passenger Car	12 φ mm × 5m	With
PR-24N	Truck	16 φ mm × 5m	With
PR-25N	Diesel Car - Bus	18 φ mm × 5m	With

TOWING AMBULANCE



Model	GLX-7-A
Capacity	Light Vehicle-Passenger Car 2,800cc Max. Truck 2.75ton
Length × Width mm	2,775 × 860
Tire Size	BS4.00 – 8 – 6PR
Weight kg	187

CHECK MIRROR



• Garage Mirror

	Mirror Size	Fixed	Movable	Wall Hanging
Acrylic	Sq. 500 × 600mm	GMA-5060S-P1S	GMA-5060S-P2S	GMA-5060S-WA-2
	Sq. 600 × 800mm	GMA-6080S-P1S	GMA-6080S-P2S	GMA-6080S-WA-2
	Cir. 300 φ	GMA-300S-P1S	GMA-300S-P2S	GMA-300S-WA-1
	Cir. 450 φ	GMA-450S-P1S	GMA-450S-P2S	GMA-450S-WA-1
	Cir. 600 φ	GMA-600S-P2		GMA-600S-WA-2
	Cir. 800 φ	GMA-800S-P2		GMA-800S-WA-2
Stainless	Sq. 230 × 320mm	GMS-2332S-P1S	GMS-2332S-P2S	GMS-2332S-WA-1
	Sq. 450 × 600mm	GMS-4560S-P1S	GMS-4560S-P2S	GMS-4560S-WA-1
	Sq. 600 × 800mm	GMS-6080S-P2		GMS-6080S-WA-2
	Cir. 300 φ	GMS-300S-P1S	GMS-300S-P2S	GMS-300S-WA-1
	Cir. 450 φ	GMS-450S-P1S	GMS-450S-P2S	GMS-450S-WA-1
	Cir. 600 φ	GMS-600S-P2		GMS-600S-WA-2
Cir. 800 φ	GMS-800S-P2		GMS-800S-WA-2	

• Check Mirror

Mirror Size	Mirror Only	With Fix Pole
Sq. 400 × 1,200mm	TM-1	TM-1-P2
Sq. 600 × 1,500mm	TM-2	TM-2-P2

sq.: Square Type

Cir.: Circle Type

<MEMO>