

**BACK**

# G

**TIRE (WHEEL) AND BRAKE  
SERVICE EQUIPMENT**



## FORMULA VECTOR COMPUTER WHEEL BALANCER

- This is a state-of-the-art wheel balancer incorporating a computer.
- It is possible to perform automatic input of wheel diameter, width and distance value which are necessary for imbalance measurement. (Automatic input of width is possible only for cases where the balance correction is carried out at the back side of the wheel.)
- At both IN and OUT sides, the balance weight location can be determined very readily, for brake is applied at the just-top-position of the tire.
- The wheel balancer is capable of memorizing nine differ-

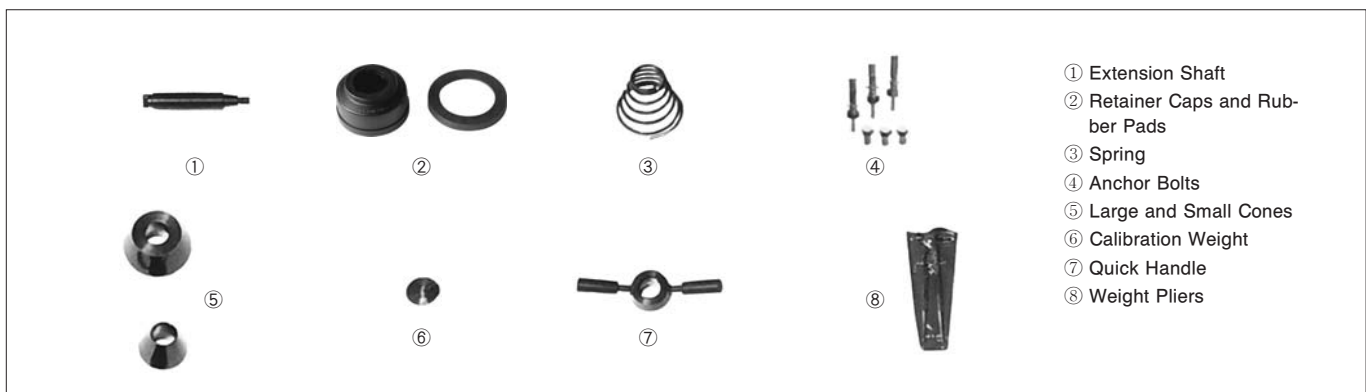
ent wheel sizes. It is very convenient if you let the machine memorize the wheel sizes, for which most frequently you carry out wheel balancing operations. The memorized values will not be erased in the event of power failure.

- After completion of measurement, the measured values can be switched freely from those under dynamic mode to those under static mode, vice versa.
- As regards the input of wheel size, the machine automatically judges as to whether the inputted value is of the inch system or of the metric system.



Model		V9601	V9602	V9801	V9802
Motor Capacity		Single Phase 350W	Three Phase 250W	Single Phase 350W	Three Phase 250W
Measuring		Full Automatic, both inner & Outer sides at one time			
Wheel Size Setting Method	Wheel Diameter	Scroll Input		Automatic Input / Scroll Input	
	Wheel Width	Scroll Input		Automatic Input / Scroll Input	
	Distance Valve	Scroll Input		Automatic Input / Scroll Input	
Wheel Measurement		Weight of Wheel: Max. 65kg Wheel Diameter : 12" – 24" (8" – 30") Wheel Width : 3.5" – 20"			
Braking Method Display (Unbalance amount)		Automatic Brake Digital			
Dimensions (D × W × H)	mm	1,335 × 1,117 × 1,440			
Weight	kg	130			

## STANDARD ACCESSORIES



## FORMULA BIG COMPUTER WHEEL BALANCER



- It is possible to perform automatic input of rim diameter/width and distance for inside measurement of wheel.
- Center leveling and fittings can be performed to wheel balancer easily.
- This balancer is equipped with wheel lifter as standard, so heavy duty tyre can be installed to this balancer easily.

Model	<b>V1500B</b>	
Capacity		
Weight of Wheel	kg	Max. 150
Wheel Diameter		13" – 23"
Wheel Width		4" – 15"
Wheel Size Setting Method		
Wheel Diameter		Automatic Input
Wheel Width		Scroll
Distance		Automatic Input
Lift Capacity	kg	150
Air Pressure	MPa	0.9 – 1.0
Motor Capacity	kW	Three Phase 0.75
Measuring Range	g	0 – 900
Dimensions (W × D × H)	mm	1,935 × 1,805 × 1,525
Weight	kg	380

## WHEEL LIFTER



Model	<b>WL-800</b>	
Power Source	MPa(kgf/cm <sup>2</sup> )	Air 0.69 – 0.97 (7 – 9.9)
Clamp Center Adjusting Range		600 – 760mm above level
Clamp Capacity		
Tire Dia.	mm	580 – 800
Tire Width	mm	Max. 380
Tire Weight	kg	Max. 65

# TIRE (WHEEL) AND BRAKE SERVICE EQUIPMENT

## WHEEL BALANCING WEIGHT SET



Model			<b>BW-1000</b>		
Case Size - Weight			365 × 200 × 74mm - 16.5kg		
Set Contents					
Unit Model	Weight	Qty.	Unit Model	Weight	Qty.
BW-5	5g	5Bag	BW-35	35g	4Bag
BW-10	10g	5Bag	BW-40	40g	4Bag
BW-15	15g	5Bag	BW-45	45g	4Bag
BW-20	20g	10Bag	BW-50	50g	4Bag
BW-25	25g	5Bag	Tire Gauge	-	1pc.
BW-30	30g	10Bag	Case	-	1pc.

10pcs./Bag

Model			<b>HJ-0530-S</b>		
Case Size			405 × 305 × 60mm		
Set Contents					
Unit Model	Qty.	Unit Model	Qty.	Unit Model	Qty.
HJ-1-05	20pcs.	HJ-16B-05	20pcs.	HJ-18B-05	20pcs.
HJ-1-10	20pcs.	HJ-16B-10	20pcs.	HJ-18B-10	20pcs.
HJ-1-15	20pcs.	HJ-16B-15	20pcs.	HJ-18B-15	20pcs.
HJ-1-20	20pcs.	HJ-16B-20	20pcs.	HJ-18B-20	20pcs.
HJ-1-25	20pcs.	HJ-16B-25	20pcs.	HJ-18B-25	20pcs.
HJ-1-30	10pcs.	HJ-16B-30	10pcs.	HJ-18B-30	10pcs.

## WHEEL BALANCING WEIGHTS



### • For Passenger Car (Steel Wheel)

Model	Set Contents
<b>BW-5</b>	5g × 10pcs.
<b>BW-10</b>	10g × 10pcs.
<b>BW-15</b>	15g × 10pcs.
<b>BW-20</b>	20g × 10pcs.
<b>BW-25</b>	25g × 10pcs.
<b>BW-30</b>	30g × 10pcs.
<b>BW-35</b>	35g × 10pcs.
<b>BW-40</b>	40g × 10pcs.
<b>BW-45</b>	45g × 10pcs.
<b>BW-50</b>	50g × 10pcs.
<b>BW-60</b>	60g × 10pcs.
<b>BW-70</b>	70g × 10pcs.
<b>BW-80</b>	80g × 10pcs.
<b>BW-90</b>	90g × 10pcs.
<b>BW-100</b>	100g × 10pcs.

### • For Aluminium Wheel

Model	Set Contents
<b>ABW-10T</b>	10g × 74pcs.
<b>ABW-15T</b>	15g × 44pcs.
<b>ABW-20T</b>	20g × 45pcs.
<b>ABW-25T</b>	25g × 50pcs.
<b>ABW-30T</b>	30g × 50pcs.
<b>ABW-35T</b>	35g × 50pcs.
<b>ABW-40T</b>	40g × 50pcs.
<b>ABW-45T</b>	45g × 50pcs.
<b>ABW-50T</b>	50g × 50pcs.
<b>ABW-60T</b>	60g × 50pcs.

### • For Racing Car

Model	Set Contents
<b>RBW-5S</b> <b>RBW-10S</b>	5g × 30pcs. × 10plates 10g × 20pcs. × 10plates

### • For Middle & Large Vehicle, Tubeless

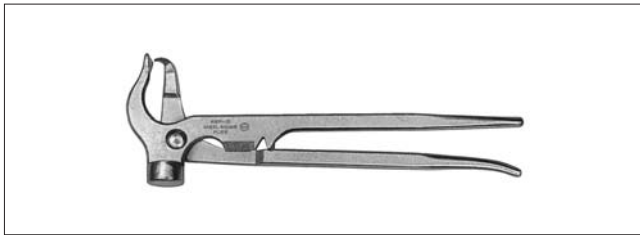
Model	Set Contents
<b>TW-50</b> <b>TW-100</b> <b>TW-150</b> <b>TW-200</b> <b>TW-250</b>	50g × 10pcs. 100g × 10pcs. 150g × 10pcs. 200g × 10pcs. 250g × 10pcs.

## BALANCING WEIGHT CUTTING PLIER



Model	Overall Length mm
<b>WWC-1270</b>	180

## WHEEL WEIGHT TOOLS



Model	Overall Length mm	Remarks
<b>HWP-10</b>	240	Weight, Plire and Cutter

## RIM WIDTH GAUGE

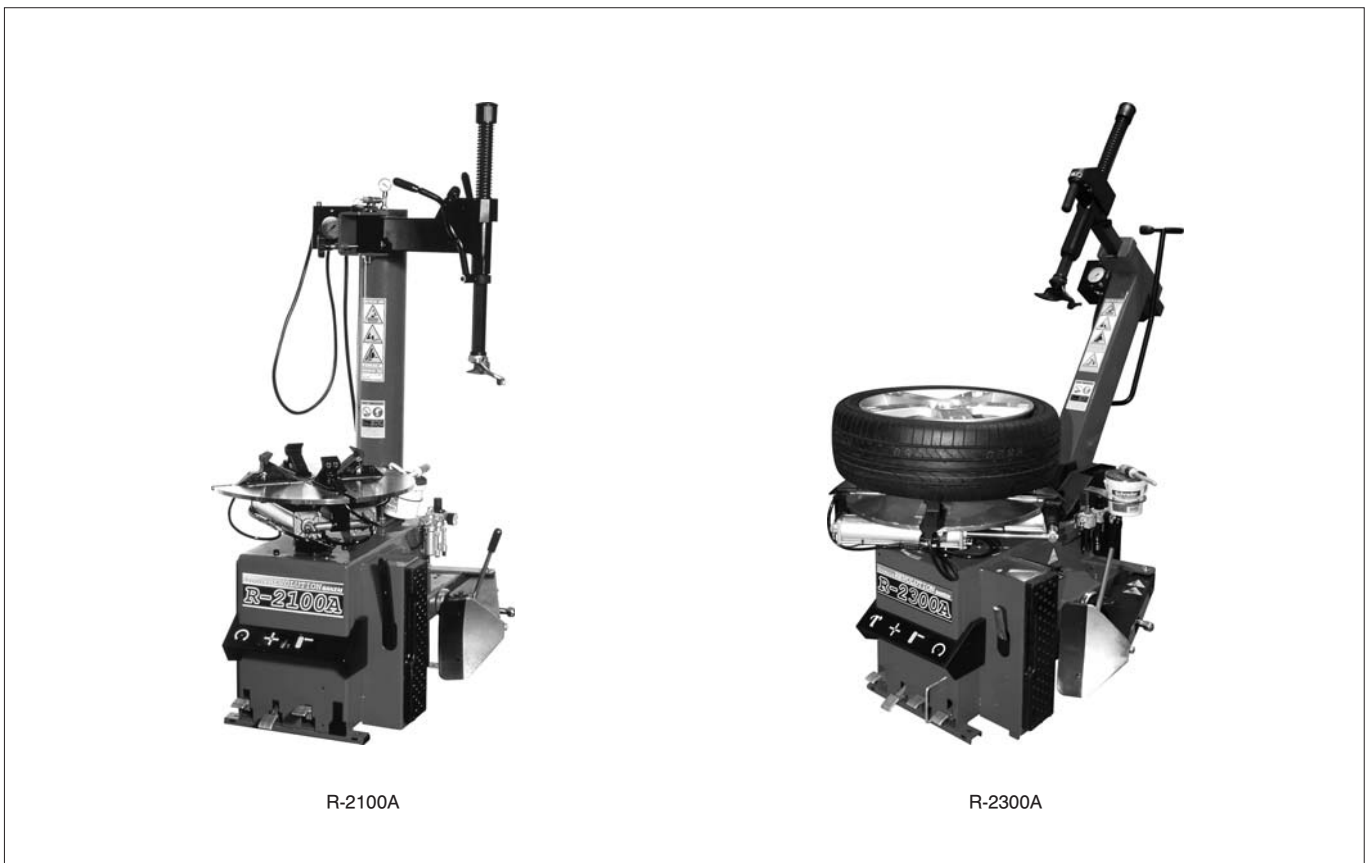


Model	<b>WRG-11</b>
Capacity	0 – 10"

## TIRE CHANGER FOR PASSENGER CARS & LIGHT TRUCKS

This tire changer has been designed with emphasis placed on easy operation. Hence, the wheel setting height, lever position, operation valve and so forth have been set ideally. Also, the durability and safety are superb.

The tire change is performed without a need of the mounting head touching with the rim. Thus, there is no possibility of damaging aluminum wheels.



R-2100A

R-2300A

Model	<b>R-2100</b>	<b>R-2100A</b>	<b>R-2300A</b>
Mast Model	Standard	Standard	Tilt Type
Inflator	No	Equipped	Equipped
Operation	3-ph 0.75kw		
Applicable Wheel	Rim Dia.: 10 – 20" (Out Side Clamp) 13 – 22" (In Side Clamp), Rim Width: 3 – 12"		
Air Pressure	780 – 980kpa		
Dimensions (W×D×H)	min. 860×995×1,600mm		min. 900×1,210×1,620mm
Weight	Approx. 205kg		Approx. 240kg

## “BOXER KING” TIRE CHANGER FOR LARGE-SIZED MOTOR VEHICLES



Model	KING-23	
Applicable Wheel	14 – 23" (Chucking Range)	
Applicable Tire Dia.	mm	Max. 1400
Applicable Tire Width.	mm	Max. 500
Max. Torque	Nm	1,500
Motor (Hydraulic)	3-ph 2.2kw	
Motor (Rotating)	3-ph 2.2kw	
Dimensions (W × D × H)	mm	Min. 1,670 × 1,400 × 640 Max. 2,000 × 1,660 × 1,200
Weight	kg	Approx. 550

## TIRE BEAD BREAKER



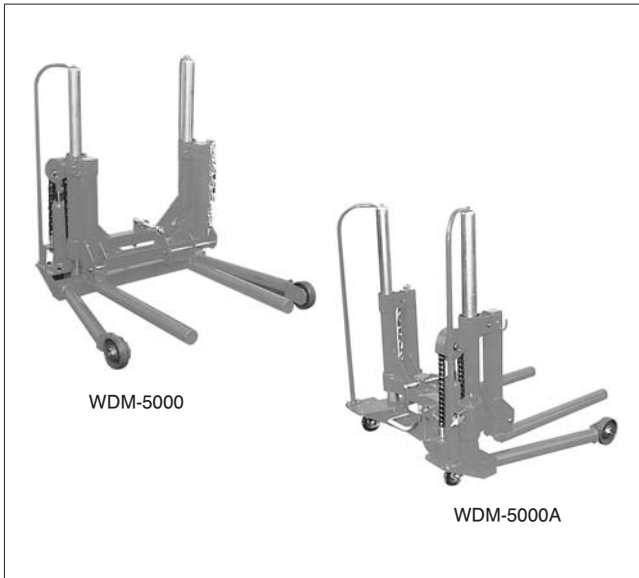
Model	Dimensions (L × W × H) mm	Weight kg
<b>TB-15C</b>	850 × 380 × 430	12

## TIRE CART



Model	Capacity Tire Pieces	Reference
<b>TYC-4N</b>	4	W/tray for receiving crip bolts

## WHEEL DOLLY



Model		WDM-5000	WDM-5000A
Capacity	kg	500	
Applicable Tire		7.50-16 – 11.00-20	
Min. – Max. Height of Lift Arm	mm	70 – 520	
Overall Height × Width	mm	1,100 – 1,065	
Weight	kg	82	87
Remarks		Manual Pump Type	Manual Pump Type with Air Operated Pump

## PALLET TYPE WHEEL DOLLY



Model		WD-6000PH
Lifting Capacity	kg	400
Applicable Tire Dia.	mm	7.50-16 – 11.00-20
Lift		230 – 680
Lifting Arm Tilt		±3° (Up-Down, L-R)
Dimensions (L × W × H)	mm	940 × 700 × 1,100
Weight	kg	108 (Dolly only)
Standard Accessories		3sets of Tire Pallet

## PCL PRESET AIR TIRE INFLATOR



Model		PCL-2S-A
Meter Graduation	Kpa	0 – 1,000
Hose Length	mm	7,600
Dimensions	mm	430 × 265 × 350
Weight	kg	14

# TIRE (WHEEL) AND BRAKE SERVICE EQUIPMENT

## TIRE INFLATOR



Model	Meter Graduation KPa	Dimensions mm	Weight kg	Reference
<b>AT-330</b>	10 – 700	Overall Height 1,177	18	Floor Installation Type
<b>AT-331</b>	10 – 700	417 × 385	12	Wall Hanging Type
<b>ATC-99LB</b>	700	Overall Height 690	5.6	Tank Capacity 9.9L

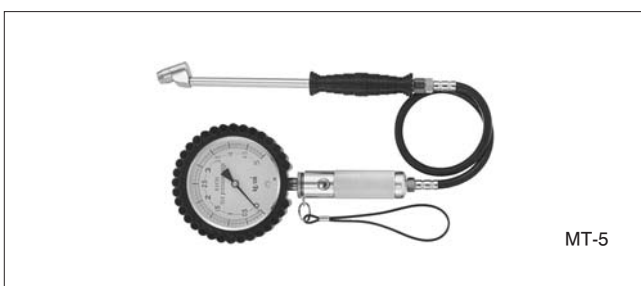
## PRESET AIR TIRE INFLATOR FOR MOTORCYCLE



Preset air is inflated automatically. When inflated air pressure is over 0.49 MPa, equipped relief valve works safely.

Model	<b>JAT-50</b>	
Preset Air	KPa	Max. 600
Standard Accessories	Quick Coupler, Inflate Tube (5m), One-touch Chuck	

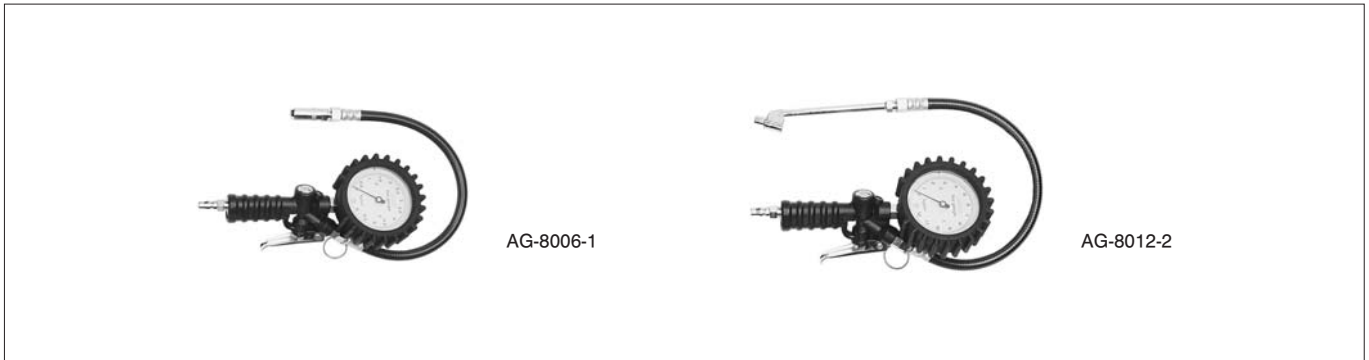
## MASTER TIRE PRESSURE GAUGE



Model	Capacity KPa	Overall Length mm	Chuck Type
<b>MT-5</b>	25 – 500	1,050	Single
<b>MT-15</b>	80 – 1,500	1,050	Double



## AIR CHUCK GAUGE



Model	Capacity KPa	Overall Length(with Hose) mm	Application
<b>AG-8006-1</b>	25 – 600	650	Passenger Car, Straight Chuck
<b>AG-8006-2</b>	25 – 600	650	Passenger Car, Double Chuck
<b>AG-8006-3</b>	25 – 600	650	Passenger Car, Clip Chuck
<b>AG-8006-4</b>	25 – 600	650	Motorcycle, Standard Chuck
<b>AG-8006-5</b>	25 – 600	650	Motorcycle, Clip Chuck
<b>AG-8012-2</b>	50 – 1,200	760	Truck, Bus, Double Chuck
<b>AG-8012-3</b>	50 – 1,200	760	Truck, Bus, Clip Chuck
<b>AG-8012-6</b>	50 – 1,200	Chuck Length 460	Truck, Bus, Aluminium Wheel
<b>AG-8012-8</b>	50 – 1,200	760	Construction Equipment OR Straight Chuck

## AIR TIRE INFLATOR



This is hand-free inflator of locking chuck and auto stop function. (One-touch air setting)

Model	Capacity MPa(kgf/cm <sup>2</sup> )	Accessory	Remark
<b>TB-1</b>	0.05 – 1.08 (0.5 – 11)	Hose 4m × 2pcs. Truck Chuck 2pcs.	for W-tire Replenishment
<b>TB-2</b>	0.05 – 1.08 (0.5 – 11)	Hose 4m × 4pcs. TB Chuck 4pcs.	for Truck Tire Changing
<b>TB-101</b>	0.05 – 0.98 (0.5 – 10)	Hose 4m × 2pcs. Chuck × 2pcs.	Hardly Type Inflating only

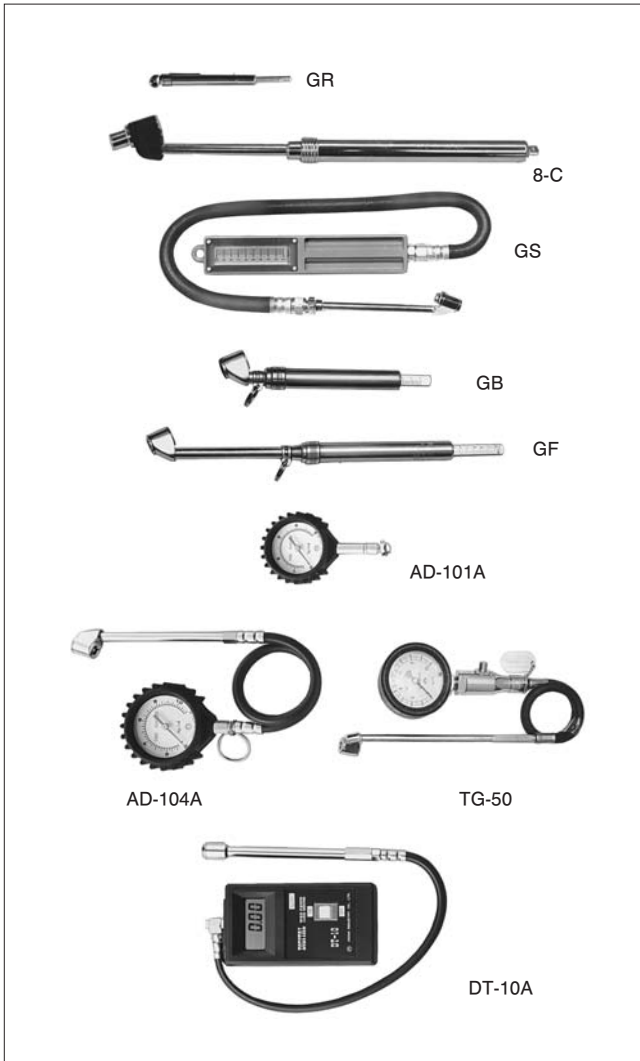
## AIR SUSPENSION GAUGE



Model	<b>AS-10</b>	
Capacity	MPa(kgf/cm <sup>2</sup> )	0.098 (1)
Overall Length	mm	350

# TIRE (WHEEL) AND BRAKE SERVICE EQUIPMENT

## TIRE PRESSURE GAUGE



### • Bar Type

Model	Capacity KPa	Overall Length mm	Application
<b>BC-1</b>	700 – 400	130	Motorcycle
<b>2-B</b>	700 – 400	135	Motorcycle, Passenger Car
<b>GR</b>	100 – 400	115	Passenger Car
<b>GH</b>	70 – 350	97	Passenger Car
<b>8-C</b>	70 – 1100	276	Passenger Car, Truck, Bus
<b>GS</b>	100 – 1000	885 (with Hose)	Truck
<b>GL</b>	100 – 1500	295	Truck
<b>GB</b>	100 – 800	145	Truck
<b>GT</b>	100 – 800	210	Truck
<b>GF</b>	100 – 1100	225	Truck
<b>GP</b>	100 – 1000	142	Truck

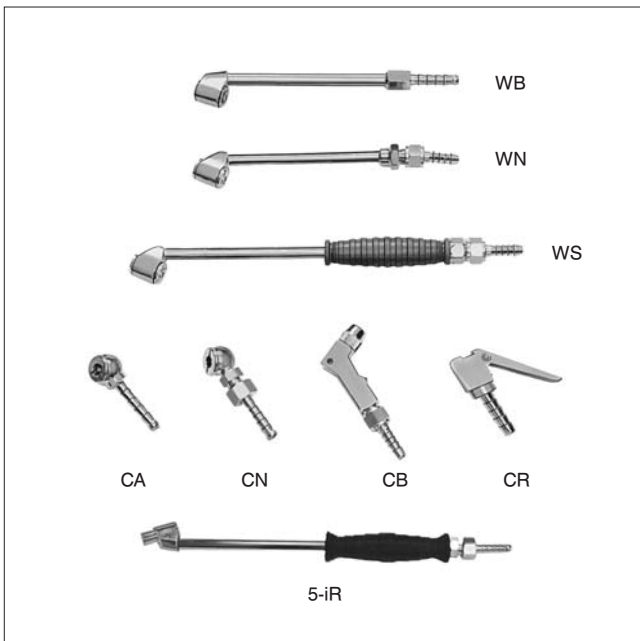
### • Dial Type

<b>BC-1C</b>	50 – 500	510	Motorcycle
<b>AD-110</b>	50 – 350	88	Motorcycle, Passenger Car
<b>AD-103B</b>	50 – 500	538	Motorcycle, Passenger Car
<b>AD-101A</b>	50 – 500	140	Motorcycle, Passenger Car
<b>AD-104A</b>	70 – 1100	650 (with Hose)	Passenger Car, Truck, Bus
<b>TG-50</b>	50 – 1000	680 (with Hose)	Truck

### • Digital Type

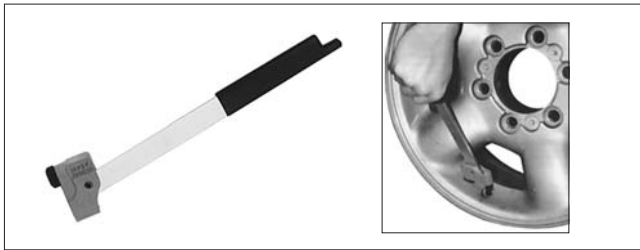
<b>DT-10A</b>	0 – 1000	625 (with Hose)	Passenger Car
<b>DT-10B</b>	0 – 1000	625 (with Hose)	Passenger Car, Truck, Bus
<b>DT-10C</b>	0 – 1000	495 (with Hose)	Motorcycle

## AIR CHUCK



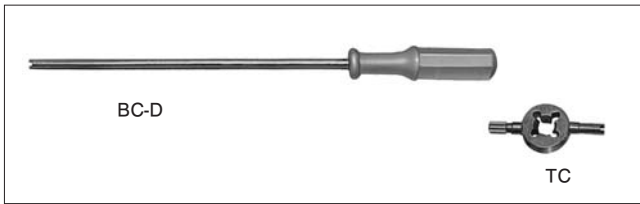
Model	Overall Length mm	Application	Remark
<b>4-LS</b>	78	Motorcycle	Double Head Changeable Special Long Type Changeable
<b>4-L</b>	194	Motorcycle	
<b>4-A</b>	66	Motorcycle, Passenger Car	
<b>4-B</b>	78	Motorcycle, Passenger Car	
<b>WB</b>	180	Passenger Car, Truck	
<b>WN</b>	184	Passenger Car, Truck	
<b>WS</b>	273	Passenger Car, Truck	
<b>WK</b>	148	Passenger Car, Bicycle	
<b>CA</b>	60	Passenger Car	Normal Type Changeable
<b>CN</b>	67	Passenger Car	
<b>CB</b>	100	Passenger Car	with Stopper with Stopper
<b>CR</b>	64	Passenger Car	
<b>CC</b>	67	Passenger Car	
<b>5054</b>	60	Passenger Car, Truck	with Clip with Clip for PCL-1, 2
<b>5055</b>	66	Passenger Car, Truck	
<b>WS-7N</b>	273	Passenger Car, Truck	
<b>5-iR</b>	329	Passenger Car, Truck, Bus	Passenger Car, Truck, Bus, Wagon
<b>4-TB</b>	425	Passenger Car, Truck, Bus, Wagon	

## TUBELESS-TIRE VALVE INSERTER



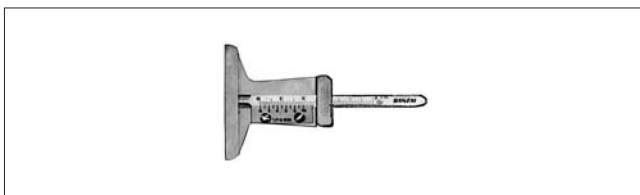
Model	Overall Length mm
<b>TVT</b>	270

## VALVE TOOL & VALVE REPAIR TOOL



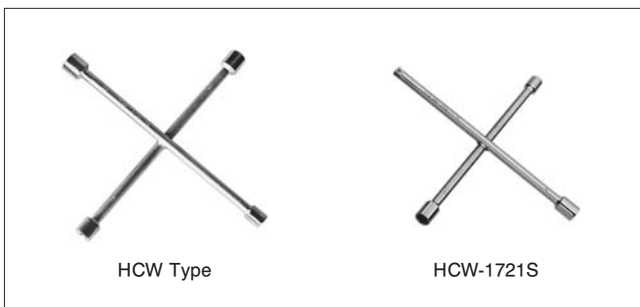
Model	Description	Length mm
<b>BC-D</b>	Valve Tool	230
<b>TC</b>	Valve Repair Tool	50

## TIRE TREAD DEPTH GAUGE



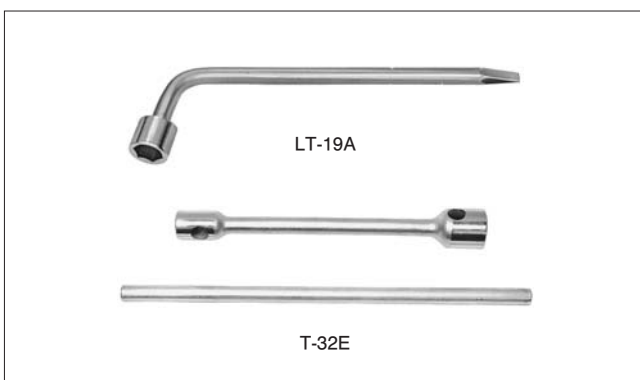
Model		<b>TG-30V</b>
Scale	mm	30
Min. Scale	mm	0.1
Note		W/Micro-scale

## CROSS RIM WRENCH



Model	Opening mm
<b>T-126M</b> <b>T-126MB</b> <b>T-126S</b>	17×19×21×23 19×21×23×26 19×22×24×27
<b>HCW-1</b> <b>HCW-3</b>	10×12×14×17 14×17×19×21
<b>HCW-1721S</b>	17×19×21×12.7 (Square)

## WHEEL NUT WRENCH

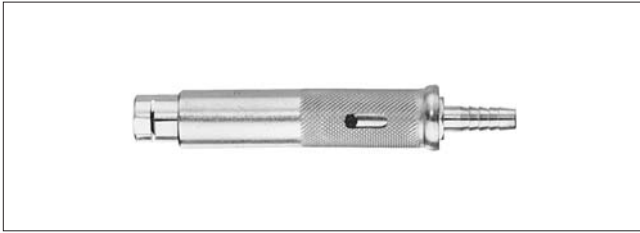


Model	Opening mm
<b>LT-1417</b>	14×17
<b>LT-14A</b>	14
<b>LT-17A</b>	17
<b>LT-19A</b>	19
<b>LT-21A</b>	21
<b>LT-23A</b>	23

Model	Opening mm
<b>T-32D</b>	21×19
<b>T-32E</b>	23×21
<b>T-37</b>	32×17
<b>T-32RB</b>	35×17
<b>T-32TN</b>	38×20
<b>T-33i</b>	38×21
<b>T-32HMF</b>	41×21

# TIRE (WHEEL) AND BRAKE SERVICE EQUIPMENT

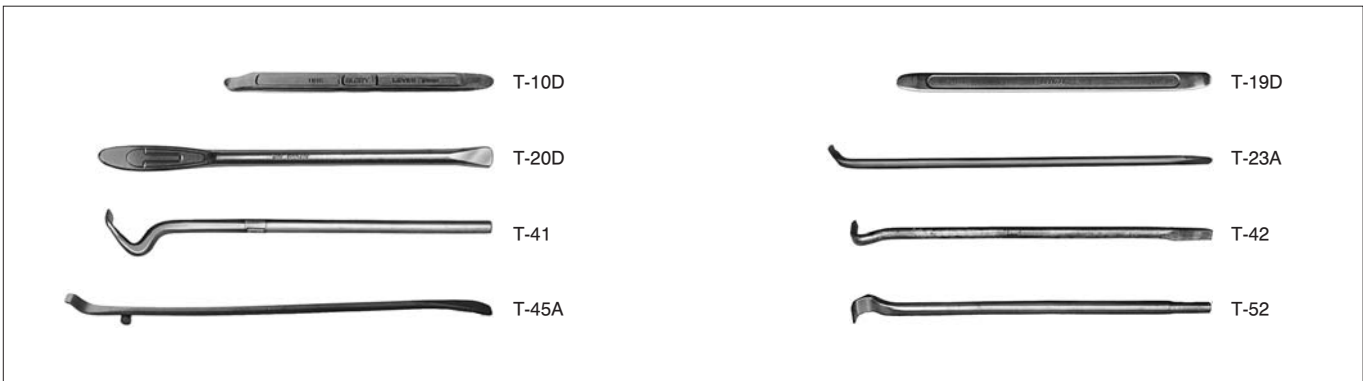
## HIGH CHUCKER



Putting on and off this chucker to tire valve is one-touch operation. You can hand-free air inflate. (without auto-stopper)

Model	Caliber mm	Overall Length mm
<b>H-A</b>	φ 7.9	130

## TIRE LEVER



Model	Overall Length mm	Remark
<b>T-10D</b>	240	for Motorcycle
<b>T-19D</b>	450	for Passenger Car
<b>T-20D</b>	510	Curved Type

Model	Overall Length mm	Remark
<b>T-21D</b>	510	Straight Type
<b>T-23A</b>	760	for OR Tire
<b>T-41</b>	760	for OR Tire

Model	Overall Length mm	Remark
<b>T-42</b>	760	for OR Tire
<b>T-45A</b>	940	for Tubeless Tire
<b>T-52</b>	790	for OR Tire

## SPECIALIZED TIRE HAMMERS



Model	Size mm × kg
<b>T-35</b>	420 × 3

## TIRE SERVICE TOOL SET



Model	Tool Board Size mm
<b>T-4N</b>	830 × 650

Set Contents			
TM-26M	Cross Rim Wrench	T-20D	Tire Lever
GL	Tire Pressure Gauge	T-21D	Tire Lever
GR	Tire Pressure Gauge	769	Wire Brush
TC	Valve Repair Tool	TS-21	Tire Spreader
M-26	Long Nose Plier	TG-30V	Tire Tread Depth Gauge
SPH-18	Soft Hammer		

## AIR OPERATED BRAKE RIVETTER



Model		MB-510
Capacity, Normal		2-ton at 0.49MPa
Capacity, Maximum		5-ton at 0.98MPa
Main Shaft Stroke	mm	45
Air pressure required		Normal- 0.49MPa (5kgf/cm <sup>2</sup> ) (adjusted thru a transformer according to the size of rivet)
Operation System		Air Cylinder & Arm
Overall Height	mm	Approx. 1,420
Basement Dimensions	mm	Approx. 350 × 600
Weight	kg	Approx. 113

## BRAKE DISK LATHE



Model		BDL-150D
Capacity	mm	φ 60 – 360, Thickness 40, Stroke 150
Shaft Spindle	rpm	100/120 (50/60Hz)
Sliding Speed		0.1mm/rev.
Sliding Devise		Automatic W/Stopper
Motor	W	1-ph., 400W (Spindle motor) 25W (Sliding motor)
Dimensions (L×W×H)	mm	700 × 530 × 530
Weight	kg	77

Special stand for BDL-150D is available.



Dimensions: W500 × D500 × H600mm

## BRAKE DRUM ROTOR LATHE

The brake drum & clutch lathe accurately cuts and grinds the brake (disc rotor, drum) and clutch (pressure plate and flywheel).

It can maintain the functions as they are, = It can keep the functions in their original states by correcting uneven wear, clutch slip, brake noise, and burr.



BDL-202



BDL-205

Model		BDL-202	BDL-205
Target Vehicle		Small Car only	Small to Medium Car
Ability	Drum Diameter mm	150 – $\phi$ 320	150 – $\phi$ 400
	Drum Width mm	200	200
Surface Cutting Ability	Disc Rotor Diameter mm	90 – $\phi$ 400	90 – $\phi$ 400
	Maximum Thickness mm	40	40
	Flywheel, Pressure Plate	Maximum $\phi$ 400 (Flywheel Disable)	Maximum $\phi$ 400
Shaft Revolution (non-stage transmission) rpm		0 – 130	0 – 130
Motor Three Phase kW		0.83	0.83
Surface Grinding Equipment		Not Available	Not Available
Dimensions (W × D × H) mm		900 × 1,000 × 1,500	1,600 × 1,000 × 1,500
Weight (Accessories) kg		180 (65)	230 (121)

## DIAL MECHANIC GAUGE



It is possible to check both of the disc brake pad and the tire tread depth by one gauge

Model		HTP-12N
Outside Capacity	mm	2 - 14
Inside Capacity	mm	0 - 12
Min. Graduation	mm	0.1
Weight	g	130

## BRAKE LINING RIVETTER KIT



Model		HAR-612
Case Size	mm	340 × 210 × 154
Weight	kg	6
Contents		<ul style="list-style-type: none"> <li>- Air Hammer</li> <li>- Main Body</li> <li>- Knockout Punch</li> <li>- Rivet Punch <math>\phi 6</math>, <math>\phi 7</math></li> <li>- Punching Anvil</li> <li>- Knockout Anvil</li> <li>- Rivetting Anvil L &amp; S</li> </ul>

## AIR HAMMER SET



Model	Case Size mm	Weight kg
<b>BH-600A</b>	310 × 110 × 75	3.2

## BRAKE DRUM GAUGE



Model	Range mm	Dial Gauge mm	Weight kg
<b>BDG-450</b>	150 - 430	0.1 - 5	1.1

## BRAKE ADJUSTING GAUGE

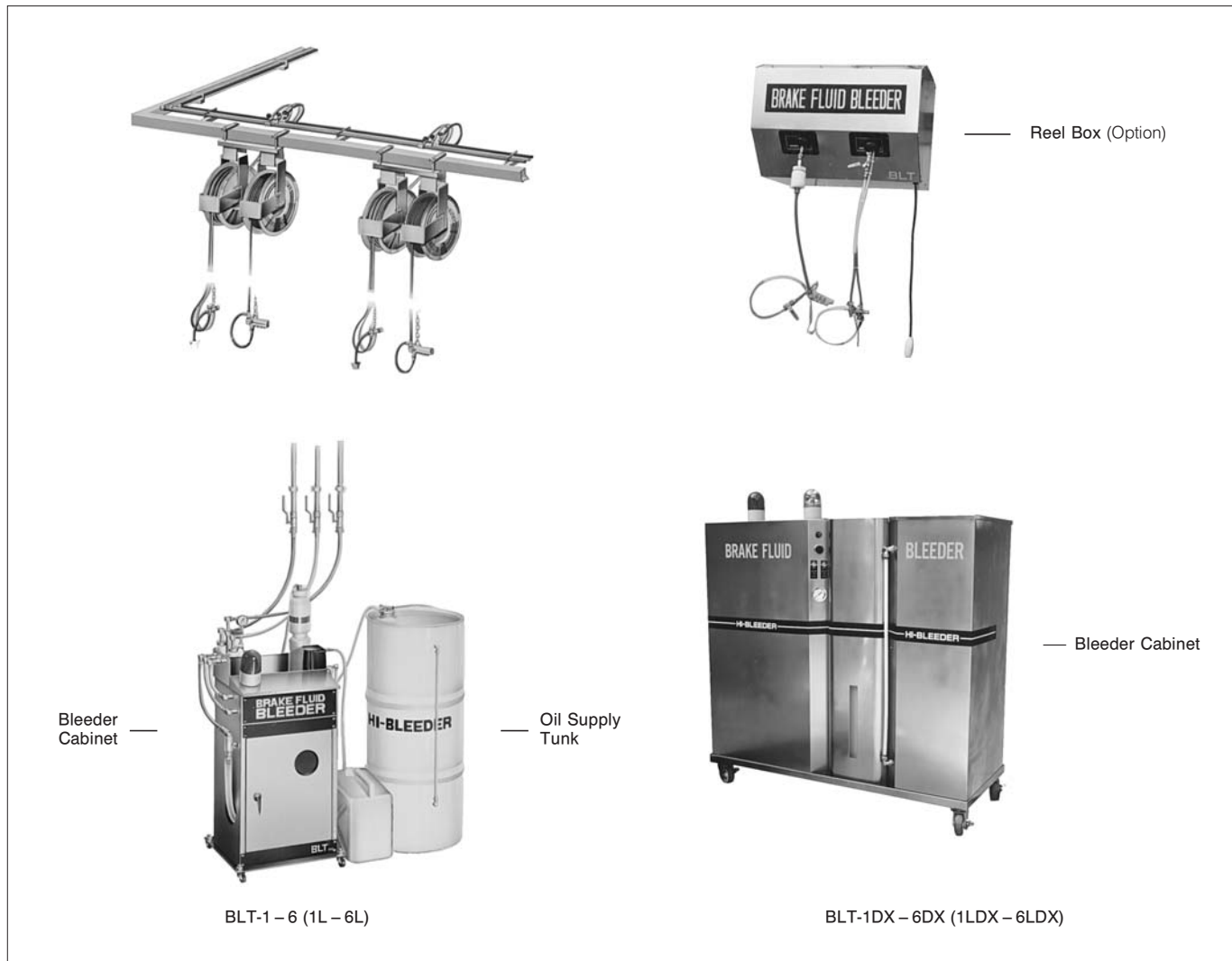


Model		BAG-32C
Thickness of each Leaf	mm	0.15, 0.20, 0.25, 0.30, 0.38 0.46, 0.51, 0.56, 0.81
Overall Length	mm	115

## BRAKE FLUID BLEEDER (CENTRALLY PIPED TYPE)

Centrally piped type brake fluid bleeder system can perform the oil supply of new fluid and the removal of waste oil by

only one mechanic.



Model	Hose Length m	No. of Reels	Dimensions (W × D × H) mm	Common Specifications
<b>BLT-1/-1L</b> <b>BLT-2/-2L</b> <b>BLT-3/-3L</b> <b>BLT-4/-4L</b> <b>BLT-5/-5L</b> <b>BLT-6/-6L</b>	Standard Mode 6m  Long Hose Model 10m	1 2 3 4 5 6	Bleeder Unit 500 × 450 × 1,000mm New-fluid Tank (drum) φ 560 × 900mm - Bleeder unit and tank for new fluid located separately	- Motor Standard Model 100VAC, 200W × 1 - DX Model 100VAC, 200W × 2 - Trochoid Pumps 1 each for Feed, Suction, Residual Pressure Relief - Feed Pressure 0 to 0.25MPa (0 to 2.5kgf/cm <sup>2</sup> ) - Suction Rate 6L/minute (max.) - Bleeder Unit Weight Standard Model 25kgf DX Model 50kgf
<b>BLT-1DX/-1LDX</b> <b>BLT-2DX/-2LDX</b> <b>BLT-3DX/-3LDX</b> <b>BLT-4DX/-4LDX</b> <b>BLT-5DX/-5LDX</b> <b>BLT-6DX/-6LDX</b>	DX Model 6m  LDX Model 10m	1 2 3 4 5 6	Bleeder Unit (tank for new fluid built in) 950 × 410 × 1,030mm - Bleeder unit and tank for new fluid made of stainless steel	

### Contents of set

- 1 bleeder unit
- 1 135-liter tank for new fluid
- Low fluid level warning device (mounted in bleeder unit or reel)
- Drum for used fluid standard model 10L × 2: DX model 20L × 1
- 1 reel per bay (max. 6)

- 1 remote control switch

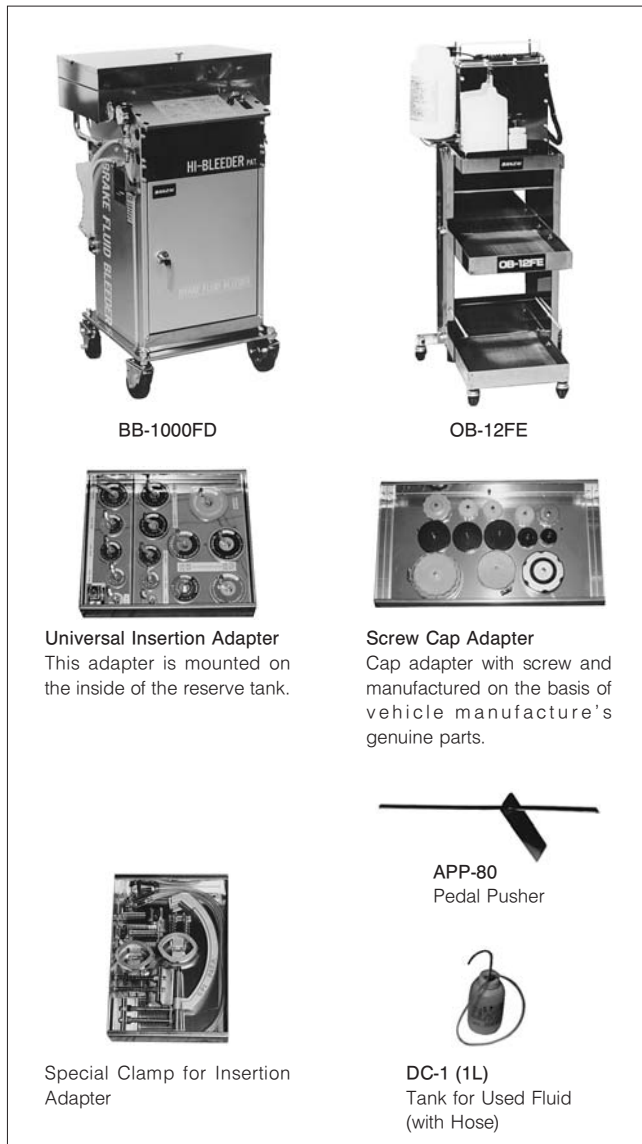
- 1 adapter case and 1 set of adapters (contents determined by customer)

### Options

- SRC-1 stainless steel single reel case (400 × 440 × 500mm)
- SRC-2 stainless steel double reel case (600 × 440 × 520mm)

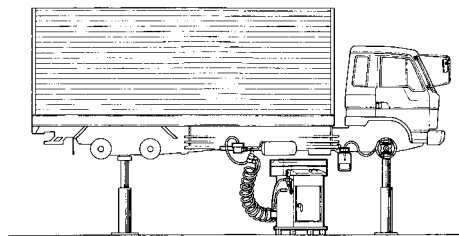
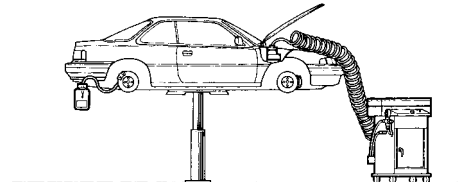


## BRAKE FLUID BLEEDER (PORTABLE TYPE)



Air extraction work is very difficult, and also technic is necessary. However this bleeder can perform by only one mechanic easily without stepping work of brake pedal on the Vehicle Lift.

This bleeder can perform air extraction of Anti-Brake-System (ABS).



Model	Motor	Trochoid Pumps	Tank Capacity ℓ	Adapter Set	Dimensions (W×D×H) mm	Weight kgf	Remarks
<b>BB-1000FD</b>	100VAC 100W	1 for feed/1 for suction/residual pressure relief	18	Small 4-wheelers to large vehicles	450×490×910	23.5	Deluxe Model
<b>BB-1000CM</b>	100VAC 100W or 200W	1 each for feed, suction, residual pressure relief	18 – 135	Optional	500×450×1,000	25	Recirculating Type: for new vehicle production lines
<b>BB-900D-1</b>	100VAC 100W	1 for feed/1 for suction/residual pressure relief	18	Small 4-wheelers to 2-ton vehicles	450×490×810	23.5	Deluxe Model
<b>BB-900D-2</b>				2-ton vehicles to large vehicle	450×490×810	23.5	Deluxe Model
<b>OB-12FE</b>	12VDC 60W	1 for feed/1 for residual pressure relief	2	Compact Cars	410×380×960	12	with Stand
<b>OB-12FGP (S)</b>					370×280×330	5.5	without Stand
<b>BB-2000FD</b>	100VAC 100W	2 for feed/1 for suction/residual pressure relief	10×2	Small 4-wheelers to 2-ton vehicle	450×490×910	25	Deluxe Model (switchable between 2 different brake fluid supplies)

- Special order required for BB-1000CM: detailed specifications determined after consultation with customer

# TIRE (WHEEL) AND BRAKE SERVICE EQUIPMENT

## BRAKE FLUID METER

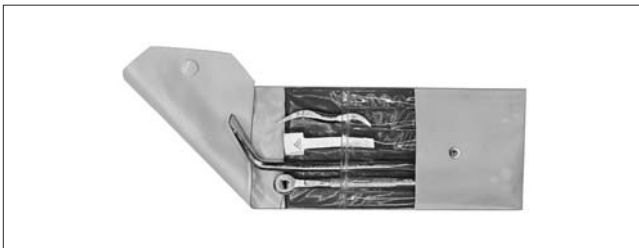


BF-320TP

Brake fluid absorbs water in the air easily and gets worse and worse of its quality. Brake fluid containing water goes down of its boiling point. That effects Baiper-Lock phenomenon. This meter can check the boiling point exactly.

Model	BF-12	BF-12-320	BF-320TP
Measurable Boiling Point ° C	200	320	320
Power Source	DC 12V	DC 12V	DC 12V
Code Length mm	1,950	1,950	1,950
Case Size (W x D x H) mm	300x160x150	300x160x150	300x160x150
Remarks	-	-	with Printer

## BRAKE ADJUSTING WRENCH SET



Model	Set Contents
<b>BAW-40</b>	BAW-1 TOYOTA Crown, Corona
	BAW-3 NISSAN, etc.
	BAW-4 Skyline, etc.

## BRAKE AIR BLEEDER

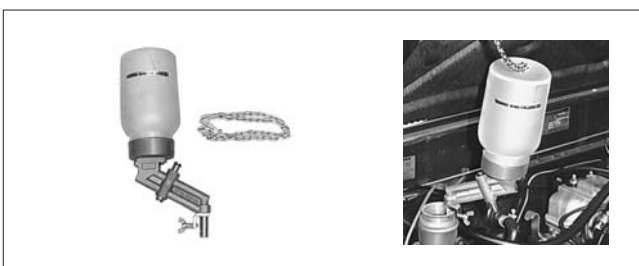


BAB-4

It is easy working to bleed brake air and clean working for the suction type bleeder.

Model	Flexible Nozzle	Contents
<b>BAB-3</b>	without	Bleeder Supply Tank Metal Case
<b>BAB-4</b>	with	

## BRAKE OIL FILLER



Model	BF-5N	
Cap Capacity	cc	1,000
Overall Height	mm	340
Weight	g	700

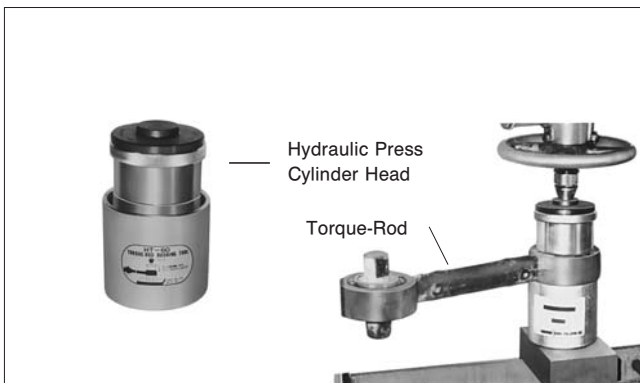
## BRAKE BOOSTER TESTER



Trouble finding in the brake booster and capacity test after replacement of parts can easily be performed under the operational condition without removing them from the vehicle.

Model	Vacuum cm/Hg	Pressure Gauge MPa(kgf/cm <sup>2</sup> )	Case Size mm
<b>BT-4T</b>	76	19.6 (200) 9.8 (100) 0.98 ( 10)	395 × 330 × 100

## TORQUE-ROD BUSHING TOOL



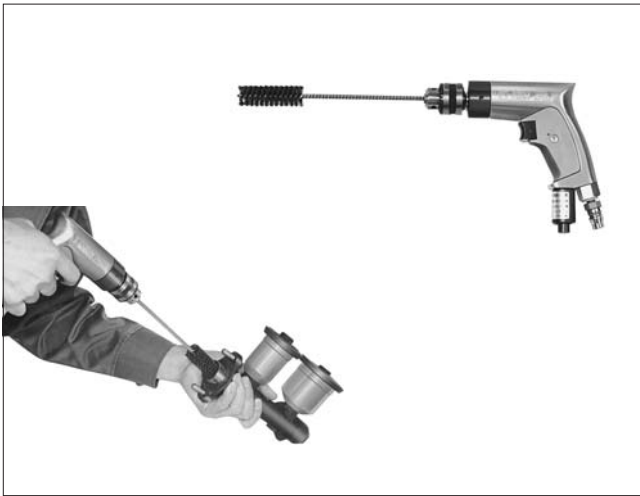
Model	Case Size mm	Weight kg
<b>HT-60</b>	140 × 140 × 135	6.3

## TORQUE-ROD SERVICE PRESS



Model	<b>HT-350</b>	
Capacity	t	35
Stroke	mm	Rum 140, Screw 100
Frame Space	mm	Width 400
Height	mm	1,103
Weight	kg	160
Remark	Air and Manual operated	
Standard Accessories	Torque-Rod Bushing Tool Caster	

## “FLEX-HONE” BRAKE CYLINDER HONE



Oil stock, rust grinding and re-grinding of brake cylinder can be performed by this hone which is fitted with air drill.

Model	Set Contents, Grit # 240	Application
<b>FLH-1</b>	BC-18-24A 16 – 18 $\phi$	Passenger Cars
	BC-22-24A 20 – 22 $\phi$	
	BC-29-24A 25 – 29 $\phi$	
<b>FLH-2</b>	BC-25-24A 22 – 25 $\phi$	Light Trucks
	BC-29-24A 25 – 29 $\phi$	
	BC-35-24A 29 – 35 $\phi$	
<b>FLH-3</b>	BC-41-24 35 – 41 $\phi$	Large Trucks & Buses
	BC-51-24 41 – 51 $\phi$	
	BC-60-24 51 – 61 $\phi$	

### • For Steel

Model	Size mm	Grit
<b>BC-14-18</b>	14	180
<b>BC-16-18</b>	16	180
<b>BC-18-18</b>	18	180
<b>BC-20-18</b>	20	180
<b>BC-22-18</b>	22	180
<b>BC-25-18</b>	25	180
<b>BC-29-18</b>	29	180
<b>BC-35-18</b>	35	180
<b>BC-41-18</b>	41	180
<b>BC-51-18</b>	51	180

### • For Aluminum

Model	Size mm	Grit
<b>BC-14-24A</b>	14	240
<b>BC-16-24A</b>	16	240
<b>BC-18-24A</b>	18	240
<b>BC-20-24A</b>	20	240
<b>BC-22-24A</b>	22	240
<b>BC-25-24A</b>	25	240
<b>BC-29-24A</b>	29	240
<b>BC-35-24A</b>	35	240
<b>BC-41-24A</b>	41	240
<b>BC-51-24A</b>	51	240
<b>BC-60-24A</b>	60	240

## “FLEX-HONE” FOR DISK BRAKE ROTOR



Model	Grit
<b>RF-60</b>	60
<b>RF-120</b>	120
<b>RF-240</b>	240