

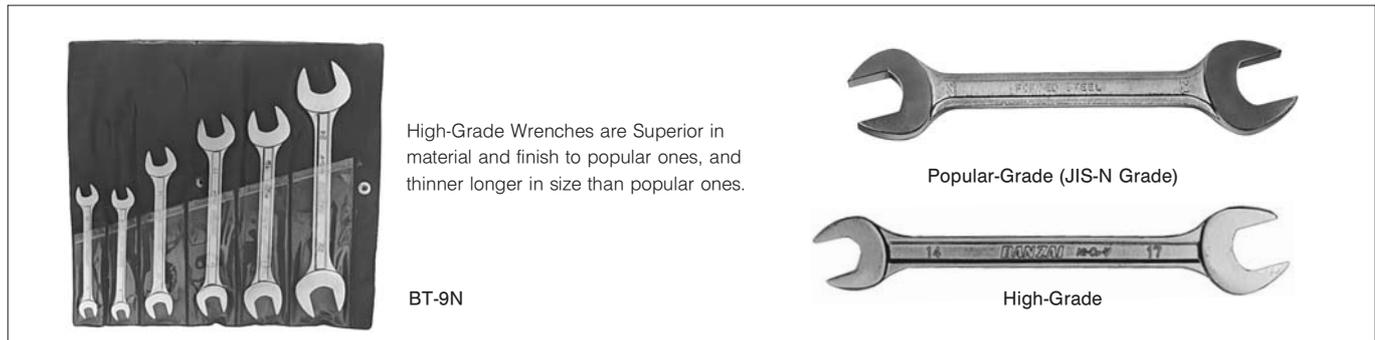
**BACK**

**M**

**HAND TOOLS AND  
MISCELLANEOUS**



## OPEN END WRENCH



High-Grade Wrenches are Superior in material and finish to popular ones, and thinner longer in size than popular ones.

BT-9N

Popular-Grade (JIS-N Grade)

High-Grade

### • Popular Set

Model	Set Contents	Weight kg	Remarks
<b>BT-2</b>	8×9, 10×12, 12×14 14×17, 17×19, 21×23	0.7	6pcs. mm
<b>BT-5</b>	8×9, 10×12, 12×14 14×17, 19×21, 23×26	0.7	6pcs. mm
<b>BT-1</b>	$\frac{5}{16} \times \frac{11}{32}$ , $\frac{3}{8} \times \frac{7}{16}$ , $\frac{1}{2} \times \frac{9}{16}$ $\frac{19}{32} \times \frac{5}{8}$ , $\frac{11}{16} \times \frac{3}{4}$ , $\frac{25}{32} \times \frac{7}{8}$	0.7	6pcs. in.

### • High-Grade Set

Model	Set Contents	Weight kg	Remarks
<b>BT-9N</b>	8×10, 10×12, 12×14 14×17, 17×19, 22×24	1	6pcs. mm
<b>BT-6B</b>	$\frac{1}{4} \times \frac{5}{16}$ , $\frac{3}{8} \times \frac{7}{16}$ , $\frac{1}{2} \times \frac{9}{16}$ $\frac{5}{8} \times \frac{11}{16}$ , $\frac{3}{4} \times \frac{13}{16}$ , $\frac{7}{8} \times \frac{15}{16}$	1	6pcs. in.
<b>BT-10 (ISO)</b>	6×7, 8×10, 11×13 12×14, 17×19, 22×24	1	6pcs. mm

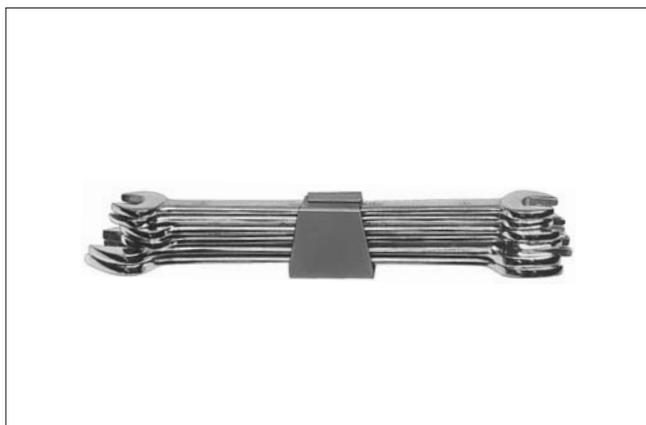
### • Individual Unit (Popular)

Model	Opening mm	Overall Length mm
<b>BM-0607</b>	6×7	100
<b>BM-0809</b>	8×9	110
<b>BM-0810</b>	8×10	120
<b>BM-1012</b>	10×12	130
<b>BM-1113</b>	11×13	140
<b>BM-1214</b>	12×14	140
<b>BM-1417</b>	14×17	165
<b>BM-1719</b>	17×19	185
<b>BM-1921</b>	19×21	205
<b>BM-2123</b>	21×23	220
<b>BM-2224</b>	22×24	220
<b>BM-2326</b>	23×26	230

### • Individual Unit (High-Grade)

Model	Opening	Overall Length mm
<b>SM-0607</b>	6×7mm	105
<b>SM-0809</b>	8×9	120
<b>SM-0810</b>	8×10	125
<b>SM-1012</b>	10×12	140
<b>SM-1113</b>	11×13	150
<b>SM-1214</b>	12×14	160
<b>SM-1417</b>	14×17	190
<b>SM-1719</b>	17×19	200
<b>SM-1921</b>	19×21	225
<b>SM-2224</b>	22×24	240
<b>SM-2326</b>	23×26	260
<b>CS-2427</b>	24×27mm	245
<b>CS-2730</b>	27×30	270
<b>S-0810</b>	$\frac{1}{4} \times \frac{5}{16}$ in.	110
<b>S-1214</b>	$\frac{3}{8} \times \frac{7}{16}$	130
<b>S-1618</b>	$\frac{1}{2} \times \frac{9}{16}$	160
<b>S-2022</b>	$\frac{5}{8} \times \frac{11}{16}$	190
<b>S-2426</b>	$\frac{3}{4} \times \frac{13}{16}$	225
<b>S-2830</b>	$\frac{7}{8} \times \frac{15}{16}$	260

## TAPPET WRENCH



This is thinner open end wrench for double nuts and tapet adjusting.

### • Wrench Sets

Model	Set Contents	Weight kg
<b>T-106M</b>	10×12, 12×14, 17×19mm each 2 pieces	0.7

### • Individual Unit

Model	Opening mm	Overall Length mm
<b>TM-10</b>	10×12	210
<b>TM-12</b>	12×14	210
<b>TM-17</b>	17×19	230

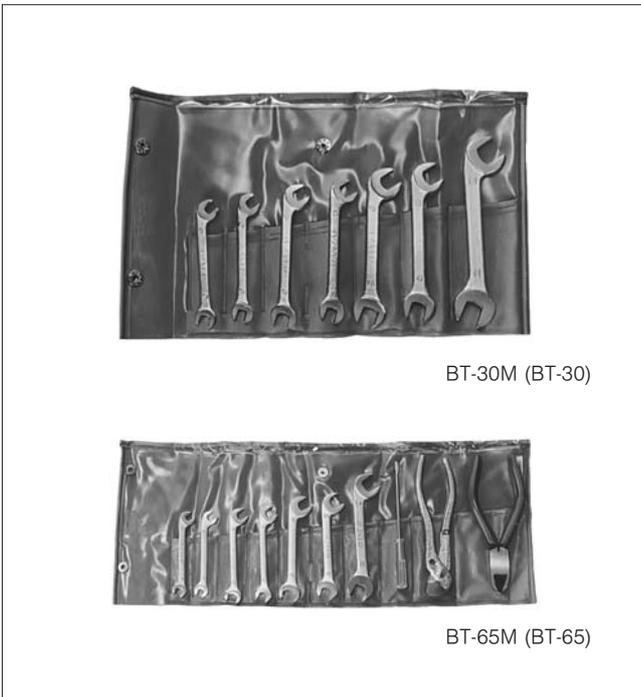
## FLARE NUT WRENCH



Special tool designed for brake servicing.

Model	Opening mm	Overall Length mm
<b>FM-1012</b>	10 × 12	140
<b>FM-1214</b>	12 × 14	170

## IGNITION WRENCH SET



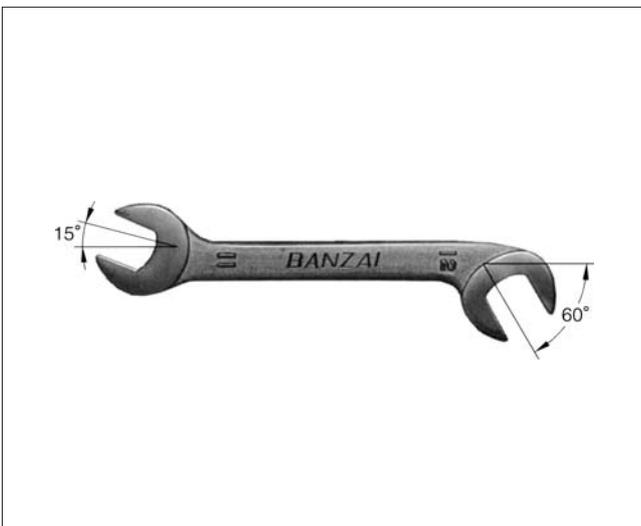
BT-30M (BT-30)

BT-65M (BT-65)

Model	Set Contents
<b>BT-30M</b>	5 × 6, 6 × 5, 7 × 8, 8 × 7, 9 × 10, 10 × 9, 11 × 12mm (7pcs.) Angle 15° × 60°
<b>BT-30</b>	13/64 × 15/64, 15/64 × 13/64, 1/4 × 7/32, 7/32 × 1/4, 9/32 × 5/16, 5/16 × 9/32, 11/32 × 3/8, 3/8 × 11/32, 7/16 × 1/2in. (9pcs.) Angle 15° × 60°

Model	Set Contents
<b>BT-65M</b>	5 × 6, 6 × 5, 7 × 8, 8 × 7, 9 × 10, 10 × 9, 11 × 12mm (7pcs.) Angle 15° × 60° 1900-50 ⊖Screw Driver, Plastic Handle M-25 Ignition Plier D-25B Diagonal Cutter
<b>BT-65</b>	13/64 × 15/64, 15/64 × 13/64, 1/4 × 7/32, 7/32 × 1/4, 9/32 × 5/16, 5/16 × 9/32, 11/32 × 3/8, 3/8 × 11/32, 7/16 × 1/2in. (9pcs.) Angle 15° × 60° 1900-50 ⊖Screw Driver, Plastic Handle M-25 Ignition Plier

## IGNITION WRENCH 15° × 60°



Model	Opening	Overall Length mm
<b>IW-5</b>	5 × 6mm	80
<b>IW-6</b>	6 × 5	80
<b>IW-7</b>	7 × 8	90
<b>IW-8</b>	8 × 7	90
<b>IW-9</b>	9 × 10	105
<b>IW-10</b>	10 × 9	105
<b>IW-11</b>	11 × 12	220
<b>IW-13</b>	13/64 × 15/64in.	80
<b>IW-14</b>	7/32 × 1/4	80
<b>IW-15</b>	15/64 × 13/64	80
<b>IW-16</b>	1/4 × 7/32	80
<b>IW-18</b>	9/32 × 5/16	90
<b>IW-20</b>	5/16 × 9/32	90
<b>IW-22</b>	11/32 × 3/8	105
<b>IW-24</b>	3/8 × 11/32	105
<b>IW-28</b>	7/16 × 1/2	220

## DOUBLE OFFSET BOX WRENCH (LONG TYPE/45°)



- Long 6-piece Set

Model	Set Contents	Weight kg
<b>BT-62</b>	10 × 12, 12 × 14, 14 × 17, 17 × 19, 21 × 23, 23 × 26mm	2
<b>BT-52</b>	$\frac{3}{8} \times \frac{7}{16}$ , $\frac{1}{2} \times \frac{9}{16}$ , $\frac{5}{8} \times \frac{11}{16}$ , $\frac{3}{4} \times \frac{25}{32}$ $\frac{13}{16} \times \frac{7}{8}$ , $\frac{15}{16} \times 1$ in.	2

- Long 7-piece Set

Model	Set Contents	Weight kg
<b>BT-200</b>	8 × 9, 10 × 12, 11 × 13, 14 × 17, 19 × 21, 22 × 24, 23 × 26mm	2

- Individual Unit

Model	Opening mm	Overall Length mm
<b>ML-0809</b>	8 × 9	174
<b>ML-0810</b>	8 × 10	175
<b>ML-1012</b>	10 × 12	198
<b>ML-1113</b>	11 × 13	199
<b>ML-1214</b>	12 × 14	226
<b>ML-1417</b>	14 × 17	259
<b>ML-1719</b>	17 × 19	272
<b>ML-1921</b>	19 × 21	310
<b>ML-2123</b>	21 × 23	312

Model	Opening mm	Overall Length mm
<b>ML-2224</b>	22 × 24	319
<b>ML-2326</b>	23 × 26	350
<b>ML-2427</b>	24 × 27	357
<b>ML-2632</b>	26 × 32	390
<b>ML-2730</b>	27 × 30	380
<b>ML-2932</b>	29 × 32	410
<b>ML-3032</b>	30 × 32	410
<b>ML-3235</b>	32 × 35	430
<b>ML-3236</b>	32 × 36	430

Model	Opening	Overall Length mm
<b>ML-3541</b>	35 × 41 mm	460
<b>ML-3641</b>	36 × 41	455
<b>IL-1214</b>	$\frac{3}{8} \times \frac{7}{16}$ in.	195
<b>IL-1618</b>	$\frac{1}{2} \times \frac{9}{16}$	220
<b>IL-2022</b>	$\frac{5}{8} \times \frac{11}{16}$	250
<b>IL-2425</b>	$\frac{3}{4} \times \frac{25}{32}$	300
<b>IL-2628</b>	$\frac{13}{16} \times \frac{7}{8}$	325
<b>IL-3032</b>	$\frac{15}{16} \times 1$	370

## DOUBLE OFFSET BOX WRENCH (LONG FLAT BOX/0°)



Model	Opening mm	Overall Length mm
<b>OL-1012</b>	10 × 12	195
<b>OL-1214</b>	12 × 14	220
<b>OL-1417</b>	14 × 17	240

## DOUBLE OFFSET BOX WRENCH (SHORT TYPE/45°)



Model	Opening mm	Overall Length mm
<b>MS-1012</b>	10 × 12	120
<b>MS-1417</b>	14 × 17	145

## RATCHET OFFSET WRENCH



RW-300

- Wrench Set

Model	Set Contents mm
<b>RW-300</b>	10 × 12, 12 × 14, 14 × 17
<b>RW-500</b>	10 × 12, 11 × 13, 12 × 14, 14 × 17, 19 × 21

- Individual Unit

Model	Opening mm	Overall Length mm	Model	Opening mm	Overall Length mm
<b>RW-1012</b>	10 × 12	199	<b>RW-1719</b>	17 × 19	291
<b>RW-1113</b>	11 × 13	227	<b>RW-1721</b>	17 × 21	303
<b>RW-1214</b>	12 × 14	228	<b>RW-1921</b>	19 × 21	315
<b>RW-1317</b>	13 × 17	257	<b>RW-1922</b>	19 × 22	315
<b>RW-1417</b>	14 × 17	257	<b>RW-2224</b>	22 × 24	344

## RATCHET OFFSET WRENCH



Model	Set Contents mm
<b>JB-0420</b>	8 × 10, 11 × 13, 12 × 14, 17 × 19 (4pcs.)

## RATCHET BOX WRENCH



• Wrench Set

Model	Set Contents
<b>RB-3PC</b>	RB-10, 12, 14 (3pcs.)

• Individual Unit

Model	Opening mm	Overall Length mm
<b>RB-8</b>	8 × 8	140
<b>RB-10</b>	10 × 10	145

Model	Opening mm	Overall Length mm
<b>RB-12</b>	12 × 12	150
<b>RB-14</b>	14 × 14	160

## RATCHET BOX WRENCH



One individual unit is combined with 4 different sizes.

Model	Opening mm
<b>TRW-1</b>	5.5 × 7, 6 × 8
<b>TRW-2</b>	9 × 11, 10 × 12
<b>TRW-3</b>	13 × 15, 14 × 17

## COMBINATION WRENCH



• Wrench Set

Model	Set Contents	Weight kg
<b>BRS-822</b>	BRS-8, 10, 11, 12, 13, 14, 17, 19, 21, 22 (10pcs.)	1.1

• Individual Unit

Model	Opening mm	Overall Length mm
<b>BRS-5.5</b>	5.5	93
<b>BRS-7</b>	7	100
<b>BRS-8</b>	8	108
<b>BRS-9</b>	9	116
<b>BRS-10</b>	10	124
<b>BRS-11</b>	11	132
<b>BRS-12</b>	12	152
<b>BRS-13</b>	13	160
<b>BRS-14</b>	14	170
<b>BRS-15</b>	15	180
<b>BRS-16</b>	16	192

Model	Opening mm	Overall Length mm
<b>BRS-17</b>	17	214
<b>BRS-18</b>	18	226
<b>BRS-19</b>	19	239
<b>BRS-21</b>	21	275
<b>BRS-22</b>	22	285
<b>BRS-24</b>	24	308
<b>BRS-26</b>	26	355
<b>BRS-27</b>	27	373
<b>BRS-28</b>	28	384
<b>BRS-32</b>	32	425
<b>BRS-35</b>	35	465

# HAND TOOLS AND MISCELLANEOUS

## SOCKET WRENCH SET



2250M



2254M

### • 6.4mm (1/4") Square Drive

Model	Sockets	Tools	Case Dimension mm	Weight kg
<b>2250M</b>	6point Sockets: 5, 6, 7, 8, 9, 10, 11, 12 8point Sockets: 8, 10mm	RH-205 Ratchet Handle NS-205 Nut Spinner Handle SL-205 Sliding T Handle E-202 Extension Bar E-206 Extension Bar UJ-2 Universal Joint	160 × 100 × 28	0.7
<b>2257M</b>	6point Sockets: 4, 4.5, 5, 5.5, 6, 7, 8, 9, 10, 11, 12mm Inhex Bit Sockets: 3, 4, 5, 6, 8, 10mm (+) Bit: 1, 2, 3, 4mm (-) Bit: 4, 5, 6, 8, 9mm	RH-205 Ratchet Handle SL-205 Sliding T Handle E-204 Extension Bar UJ-2 Universal Joint 2769N-150 Spin Handle	240 × 100 × 32	1.0
<b>2254M</b>	6point Bits – 3pcs. 2RA-3M, 4M, 5M (+) Bits – 3pcs. RP-1, 2, 3 (-) Bits – 2pcs. 1.0 × 7, 1.2 × 7 Adaptor – 1pcs. 101A	2137 Bit Handle 102NA-1/4 × 3/16 Ratchet Handle 2769F Spinning Handle	160 × 100 × 28	0.5



3206M



3210M

### • 9.5mm (3/8") Square Drive

Model	Sockets	Tools	Case Dimension mm	Weight kg
<b>3206M</b>	6point Sockets: 6, 7, 8, 9, 10, 11, 12 12point Sockets: 13, 14, 15, 16, 17, 18, 19, 21, 22mm	RH-308 Ratchet Handle NS-310 Nut Spinner Handle SL-308 Sliding T Handle E-305 Extension Bar E-310 Extension Bar	415 × 120 × 35	2.1
<b>3252M</b>	6point Sockets: 5.5, 7, 8, 10, 11, 12mm 12point Sockets: 13, 14, 17, 19, 22mm	RH-308 Ratchet Handle NS-310 Nut Spinner Handle E-303 Extension Bar E-305 Extension Bar UJ-3 Universal Joint	310 × 90 × 40	1.6
<b>3210M</b>	6point Sockets: 6, 7, 8, 9, 10, 11, 12 12point Sockets: 13, 14, 15, 16, 17, 18, 19, 21, 22mm	RH-308 Ratchet Handle NS-310 Nut Spinner Handle SL-308 Sliding T Handle E-305 Extension Bar E-310 Extension Bar UJ-3 Universal Joint	415 × 120 × 35	2.9

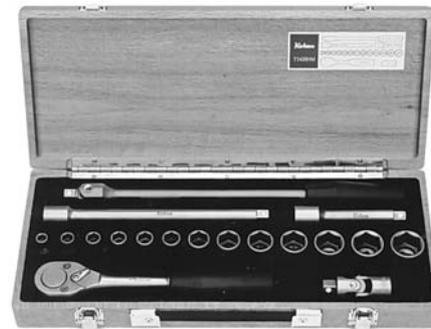
**SOCKET WRENCH SET**



4230M



P4241M



TI4261M

• 12.7mm (1/2") Square Drive

Model	Sockets	Tools	Case Dimension mm	Weight kg
<b>4230M</b>	9, 10, 12, 13, 14, 15, 16, 17, 18, 19, 21, 23, 26mm	RH-410 Ratchet Handle NS-415 Nut Spinner Handle	CRB-10 Cross Bar E-405 Extension Bar	395 × 90 × 50 3.2
<b>4230A</b>	3/8, 7/16, 1/2, 9/16, 19/32, 5/8, 11/16, 3/4, 25/32, 13/16, 7/8, 15/16, 1in.	RH-410S Ratchet Handle NS-415 Nut Spinner Handle	E-405 Extension Bar UJ-4 Universal Joint	395 × 90 × 50 2.9
<b>4212M</b>	10, 11, 12, 13, 14, 17, 19, 21, 22, 23, 24mm	RH-410S Ratchet Handle NS-415 Nut Spinner Handle	E-405 Extension Bar UJ-4 Universal Joint	395 × 90 × 50 2.9
<b>4241M</b>	10, 11, 12, 13, 14, 15, 16, 17, 18, 19, 20, 21, 22, 23, 24, 25, 26, 27, 28, 29, 30, 32mm	RH-410 Ratchet Handle NS-415 Nut Spinner Handle UJ-4 Universal Joint	E-405 Extension Bar E-410 Extension Bar SL-412 Sliding T Handle	445 × 190 × 50 6.5

• 12.7mm (1/2)" Square Drive in Plastic Case

Model	Sockets	Points	Tools	Case Dimension mm	Weight kg
<b>P4241M-01</b>	10, 11, 12, 13, 14, 15, 16, 17, 18, 19, 20, 21, 22, 23, 24, 25, 26, 27, 28, 29, 30, 32mm	6	4753J Ratchet Handle 4760-250 Extension Bar 4770 Universal Joint	425 × 332 × 65	6.4
<b>P4241M-06</b>		12	4760-125 Extension Bar 4768J-380 Nut Spinner Handle 4785 Sliding T Handle		

• Pentagon Drive (Titanium Made) in Wooden Case

Model	Sockets	Tools	Case Dimension mm	Weight kg
<b>TI4261M</b>	8, 10, 11, 12, 13, 14, 17, 19, 21, 22, 24, 26, 27mm	TI4749J Ratchet Handle TI4760-250 Extension Bar TI4770 Universal Joint	TI4760-125 Extension Bar TI4768J-380 Nut Spinner Handle	445 × 190 × 60 4.3

## SOCKET WRENCH SET



6220M



6260M

### • 19mm (3/4") Square Drive

Model	Sockets mm	Tools			Case Dimension mm	Weight kg	
<b>6220M</b>	26, 29, 32, 35, 38, 41, 46	SL-620	Sliding T Handle	E-608	Extension Bar	530 × 125 × 70	7.7
<b>6260M</b>	21, 23, 26, 29, 31, 32, 34, 35, 36, 38, 41, 46, 50	RH-618	Ratchet Handle	E-603	Extension Bar	200 × 580 × 80	15.8
		SL-620	Sliding T Handle	E-608	Extension Bar		
		DR-33	Drag Link Socket	E-616	Extension Bar		
		UJ-6	Universal Joint				



### • 25.4mm (1") Square Drive

Model	Sockets mm	Tools			Case Dimension mm	Weight kg	
<b>8290M</b>	35, 38, 41, 46, 50, 54, 58, 63	RH-832	Ratchet Handle	E-808	Extension Bar	635 × 150 × 100	19.0
		SL-822	Sliding T Handle	E-816	Extension Bar		
		UJ-8	Universal Joint				

# SOCKET WRENCH

• 6.4mm (1/4") Square Drive

Model	Opening mm	Model	Opening in.
6points		6points	
2A04	4	2B06	3/16
2A05	5	2B07	7/32
2A055	5.5	2B08	1/4
2A06	6	2B09	9/32
2A07	7	2B10	5/16
2A08	8	2B11	11/32
2A09	9	2B12	3/8
2A10	10	2B14	7/16
2A11	11	2B16	1/2
2A12	12		
2A13	13		
2A14	14		
8points		8points	
2C08	8	2D10	5/16
2C10	10	2D12	3/8

• 9.5mm (3/8") Square Drive

Model	Opening mm	Model	Opening in.
6points		6points	
3A06	6	3B08	1/4
3A07	7	3B10	5/16
3A08	8	3B12	3/8
3A09	9	3B14	7/16
3A10	10	3B16	1/2
3A11	11	3B18	9/16
3A12	12		
3A13	13		
3A14	14		
3A17	17		
12points		12points	
3E08	8	3F16	1/2
3E10	10	3F18	9/16
3E11	11	3F19	19/32
3E12	12	3F20	5/8
3E13	13	3F22	11/16
3E14	14	3F24	3/4
3E16	16	3F26	13/16
3E17	17	3F28	7/8
3E18	18		
3E19	19		
3E21	21		
3E22	22		
3E23	23		
3E24	24		

• 9.5mm (3/8") Square Drive, Long Type

Model	Opening mm	Model	Opening mm
6points		6points	
3G08H	8	3G13H	13
3G09H	9	3G14H	14
3G10H	10	3G15H	15
3G11H	11	3G17H	17
3G12H	12	3G22H	22

• 12.7mm (1/2") Square Drive

Model	Opening mm	Model	Opening in.
6points		6points	
4A08	8	4B12	3/8
4A09	9	4B14	7/16
4A10	10	4B16	1/2
4A11	11	4B18	9/16
4A12	12	4B20	5/8
4A13	13	4B24	3/4
4A14	14		
4A17	17		
4A19	19		
4A21	21		
4A22	22		



• 12.7mm (1/2") Square Drive

Model	Opening mm	Model	Opening in.
6points		6points	
4A23	23		
4A24	24		
12points		12points	
4E08	8	4F12	3/8
4E09	9	4F14	7/16
4E10	10	4F16	1/2
4E11	11	4F18	9/16
4E12	12	4F19	19/32
4E13	13	4F20	5/8
4E14	14	4F21	21/32
4E15	15	4F22	11/16
4E16	16	4F24	3/4
4E17	17	4F25	25/32
4E18	18	4F26	13/16
4E19	19	4F28	7/8
4E20	20	4F30	15/16
4E21	21	4F32	1
4E22	22	4F102	1 1/16
4E23	23	4F104	1 1/8
4E24	24	4F106	1 3/16
4E25	25	4F108	1 1/4
4E26	26		
4E27	27		
4E28	28		
4E29	29		
4E30	30		
4E31	31		
4E32	32		
4E34	34		
4E35	35		
4E36	36		

• 12.7mm (1/2") Square Drive, Long Type

Model	Opening mm	Model	Opening in.
12points (H = 6points)		12points	
4G08(H)	8	4H12	3/8
4G09(H)	9	4H14	7/16
4G10(H)	10	4H16	1/2
4G11(H)	11	4H18	9/16
4G12(H)	12	4H19	19/32
4G13(H)	13	4H20	5/8
4G14(H)	14	4H22	11/16
4G16(H)	16	4H24	3/4
4G17(H)	17	4H25	25/32
4G18(H)	18	4H26	13/16
4G19(H)	19	4H28	7/8
4G21(H)	21	4H30	15/16
4G22(H)	22	4H32	1
4G23(H)	23	4H102	1 1/16
4G24(H)	24	4H104	1 1/8
4G26(H)	26	4H106	1 3/16
4G27(H)	27	4H108	1 1/4
4G29(H)	29		
4G30(H)	30		
4G32(H)	32		

• 19mm (3/4") Square Drive

Model	Opening mm	Model	Opening in.
12points		12points	
6E19	19	6F24	3/4
6E20	20	6F28	7/8
6E21	21	6F30	15/16
6E22	22	6F31	31/32
6E23	23	6F32	1
6E24	24	6F102	1 1/16
6E26	26	6F104	1 1/8
6E27	27	6F106	1 3/16
6E28	28	6F108	1 1/4
6E29	29	6F110	1 5/16
6E30	30	6F112	1 3/8
6E31	31	6F114	1 7/16
6E32	32	6F116	1 1/2
6E34	34	6F118	1 9/16
6E35	35	6F120	1 5/8
6E36	36	6F122	1 11/16
6E38	38	6F124	1 3/4
6E41	41	6F126	1 13/16
6E42	42	6F128	1 7/8
6E46	46	6F200	2
6E50	50	6F204	2 1/8
6E52	52	6F206	2 3/16
6E54	54	6F208	2 1/4
6E55	55	6F212	2 3/8
6E58	58	6F216	2 1/2
6E60	60		
6E63	63		

• 25.4mm (1") Square Drive

Model	Opening mm	Model	Opening in.
12points		12points	
8E32	32	8F114	1 7/16
8E35	35	8F116	1 1/2
8E36	36	8F120	1 5/8
8E38	38	8F124	1 3/4
8E41	41	8F126	1 13/16
8E46	46	8F128	1 7/8
8E50	50	8F200	2
8E54	54	8F204	2 1/8
8E55	55	8F208	2 1/4
8E58	58	8F212	2 3/8
8E60	60	8F216	2 1/2
8E63	63	8F220	2 5/8
8E65	65	8F224	2 3/4
8E67	67	8F228	2 7/8
8E70	70	8F300	3
8E71	71		
8E73	73		
8E75	75		
8E77	77		

## UNIVERSAL JOINT SOCKET



### • 12.7mm (1/2") Square Drive

Model	Opening mm	Model	Opening mm
<b>4J-10</b>	10	<b>4J-17</b>	17
<b>4J-12</b>	12	<b>4J-19</b>	19
<b>4J-14</b>	14		

## HANDLE FOR SOCKET WRENCH



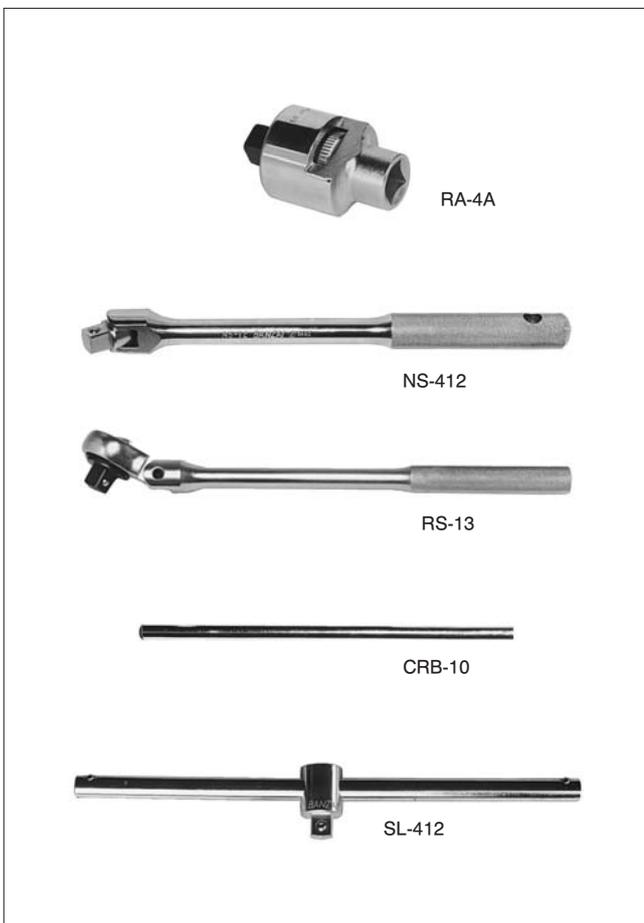
### • Ratchet Handle

Model	Square Drive mm(inch)	Overall Length mm	Remarks
<b>RH-205</b>	6.4(1/4)	125	
<b>RH-304</b>	9.5(3/8)	108	
<b>RH-308</b>	"	180	
<b>RH-307S</b>	"	"	
<b>RH-307</b>	"	"	
<b>RH-307B</b>	"	175	push button
<b>RH-410</b>	12.7(1/2)	250	
<b>RH-410B</b>	"	"	push button
<b>RH-410S</b>	"	"	
<b>RH-415</b>	"	380	
<b>RH-622</b>	19 (3/4)	560	
<b>RH-832</b>	25.4(1)	800	



### • Angle Ratchet Handle

Model	Square Drive mm(inch)	Overall Length mm
<b>RH-313B</b>	9.5(3/8)	190
<b>RH-413B</b>	12.7(1/2)	255



### • Ratchet Adapter

Model	Square Drive mm(inch)
<b>RA-2A</b>	6.4(1/4)
<b>RA-3A</b>	9.5(3/8)
<b>RA-4A</b>	12.7(1/2)

### • Flex Handle With Cross Bar

Model	Square Drive mm(inch)	Overall Length mm
<b>NS-205</b>	6.4(1/4)	130
<b>NS-310</b>	9.5(3/8)	250
<b>NS-412</b>	12.7(1/2)	300
<b>NS-415</b>	"	380
<b>NS-618</b>	19(3/4)	450

### • Flex Ratchet Handle

Model	Square Drive mm(inch)	Overall Length mm
<b>RS-11</b>	9.5(3/8)	260
<b>RS-13</b>	12.7(1/2)	335

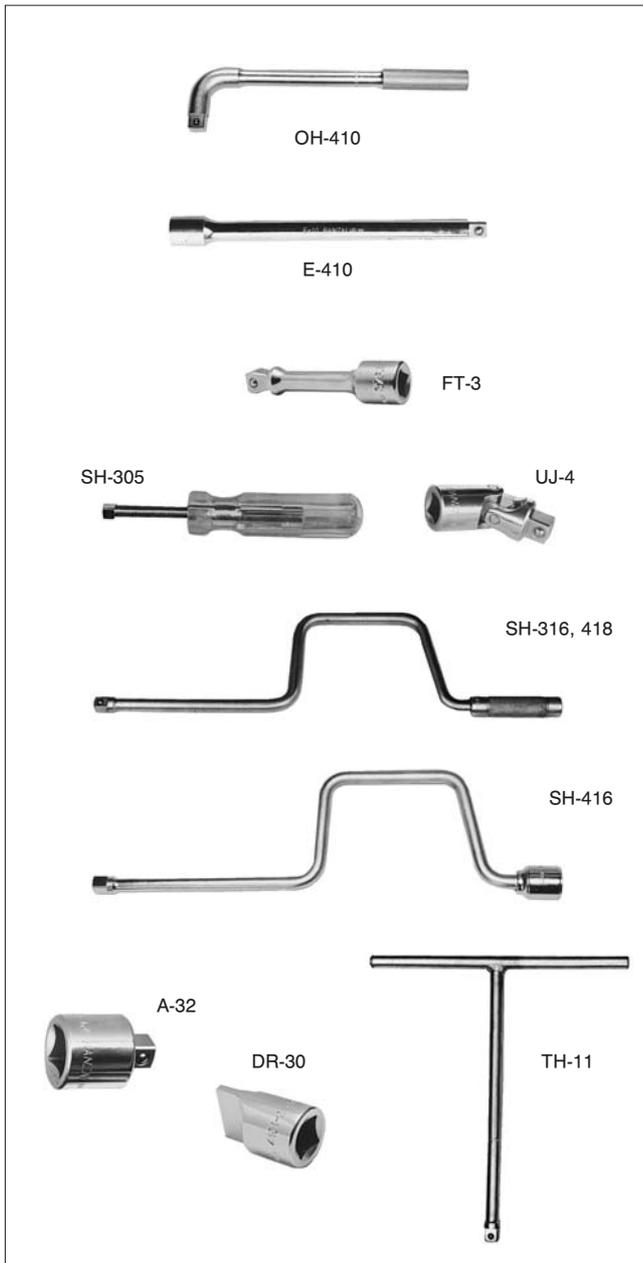
### • Cross Bar

Model	Use for	Dia. x Length mm
<b>CRB-4</b>	NS-205	6 x 100
<b>CRB-6</b>	NS-307, 310	8 x 150
<b>CRB-10</b>	NS-412, 415	11 x 250

### • Sliding T-Handle

Model	Square Drive mm(inch)	Overall Length mm
<b>SL-205</b>	6.4(1/4)	115
<b>SL-308</b>	9.5(3/8)	200
<b>SL-412</b>	12.7(1/2)	300
<b>SL-620</b>	19 (3/4)	500
<b>SL-822</b>	25.4(1)	550

## HANDLE FOR SOCKET WRENCH



### • Drag Link Socket

Model	Square Drive mm(inch)	Blade (W × T)
<b>DR-18</b>	12.7(1/2)	18 × 3
<b>DR-24</b>	"	24 × 4
<b>DR-30</b>	"	30 × 4
<b>DR-33</b>	19 (3/4)	33 × 6

### • Handle Adapter

Model	Square Drive □ × □ in.	Overall Length mm
<b>A-23</b>	1/4 × 3/8	20
<b>A-32</b>	3/8 × 1/4	25
<b>A-34</b>	3/8 × 1/2	30
<b>A-43</b>	1/2 × 3/8	35
<b>A-46</b>	1/2 × 3/4	45
<b>A-64</b>	3/4 × 1/2	"
<b>A-68</b>	3/4 × 1	60
<b>A-86</b>	1 × 3/4	"

### • Offset Handle

Model	Square Drive mm(inch)	Overall Length mm
<b>OH-410</b>	12.7(1/2)	250
<b>OH-412</b>	"	300
<b>OH-618</b>	19 (3/4)	340

### • Extension Bar

Model	Square Drive mm(inch)	Overall Length mm
<b>E-202</b>	6.4(1/4)	50
<b>E-206</b>	"	150
<b>E-303</b>	9.5(3/8)	75
<b>E-305</b>	"	125
<b>E-310</b>	"	250
<b>E-312B</b>	"	300
<b>E-402</b>	12.7(1/2)	50
<b>E-405</b>	"	125
<b>E-410</b>	"	250
<b>E-420</b>	"	500
<b>E-603</b>	19 (3/4)	75
<b>E-608</b>	"	200
<b>E-616</b>	"	400
<b>E-808</b>	25.4(1)	200
<b>E-816</b>	"	400

### • Wobble Extension Bar

Model	Square Drive mm(inch)	Overall Length mm
<b>FT-3</b>	9.5(3/8)	75
<b>FT-5</b>	"	125
<b>FT-80</b>	Set of FT-3, FT-5 in vinyl case	

### • Spinning Handle

Model	Square Drive mm(inch)	Overall Length mm	Remarks
<b>SH-206A</b>	6.4(1/4)	150	with Hole
<b>SH-205</b>	"	130	without Hole
<b>SH-305</b>	9.5(3/8)	"	"

### • Universal Joint

Model	Square Drive mm(inch)	Overall Length mm
<b>UJ-2</b>	6.4(1/4)	33
<b>UJ-3</b>	9.5(3/8)	50
<b>UJ-4</b>	12.7(1/2)	67
<b>UJ-6</b>	19 (3/4)	105
<b>UJ-8</b>	25.4(1)	143

### • Speeder Handle

Model	Square Drive mm(inch)	Overall Length mm
<b>SH-316</b>	9.5(3/8)	400
<b>SH-416</b>	12.7(1/2)	400
<b>SH-418</b>	"	450

### • T-Handle

Model	Square Drive mm(inch)	Overall Length mm
<b>TH-11</b>	12.7(1/2)	267

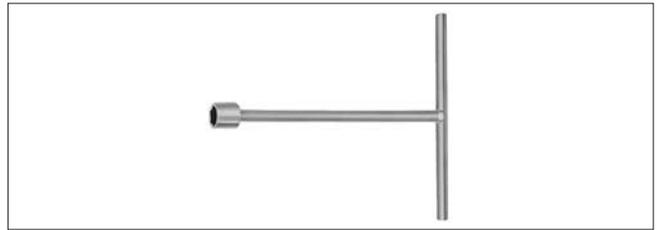
# HAND TOOLS AND MISCELLANEOUS

## SOCKET HOLDER



Model	Overall Length mm	Remarks
<b>SAH-318</b>	425	For 9.5mm sq. drive Socket
<b>SAH-418</b>	425	For 12.7mm sq. drive Socket

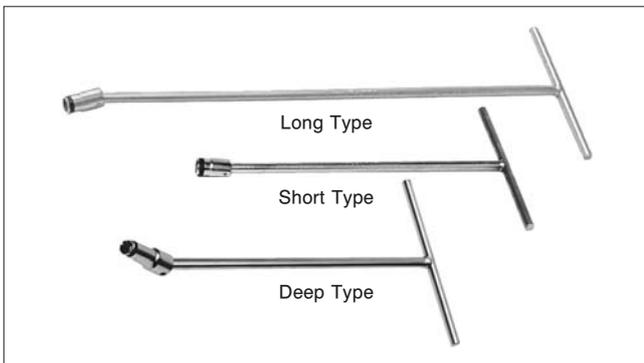
## “T” TYPE WRENCH



Model	Opening mm	Overall Length mm
<b>TW-8</b>	8	250
<b>TW-9</b>	9	250
<b>TW-10</b>	10	250
<b>TW-11</b>	11	250
<b>TW-12</b>	12	270

Model	Opening mm	Overall Length mm
<b>TW-13</b>	13	270
<b>TW-14</b>	14	300
<b>TW-17</b>	17	330
<b>TW-19</b>	19	330
<b>TW-21</b>	21	330

## SNAKE TYPE WRENCH



- Long Type (L = 650mm)
- Short Type (L = 350mm)

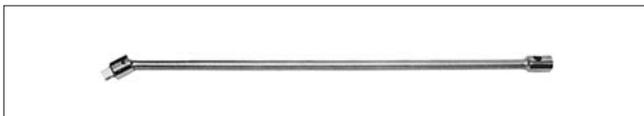
Model	Opening mm
<b>SNW-10</b>	10
<b>SNW-12</b>	12
<b>SNW-14</b>	14
<b>SNW-17</b>	17

Model	Opening mm
<b>SNW-10S</b>	10
<b>SNW-12S</b>	12
<b>SNW-14S</b>	14

- Deep Type (L = 370mm)

Model	Opening mm
<b>SNW-10SD</b>	10
<b>SNW-12SD</b>	12
<b>SNW-14SD</b>	14

## UNIVERSAL EXTENSION BAR



Model	Square Drive mm(inch)	Overall Length mm
<b>ULT-3</b>	9.5( $\frac{3}{8}$ )	650
<b>ULT-4</b>	12.7( $\frac{1}{2}$ )	650

## REACH WRENCH



Model	Square Drive mm(inch)	Opening mm	Overall Length mm
<b>RW-12</b>	12.7( $\frac{1}{2}$ )	12	800
<b>RW-14</b>	12.7( $\frac{1}{2}$ )	14	800
<b>RW-17</b>	12.7( $\frac{1}{2}$ )	17	800

## UNIVERSAL “T” TYPE WRENCH



Model	Square Drive mm(inch)	Overall Length mm
<b>UTH-3</b>	9.5( $\frac{3}{8}$ )	650
<b>UTH-4</b>	12.7( $\frac{1}{2}$ )	650

## UNIVERSAL JOINT WRENCH



Model	Opening mm
<b>UW-10</b>	10
<b>UW-12</b>	12
<b>UW-14</b>	14
<b>UW-17</b>	17

### 3-WAY RIM WRENCH



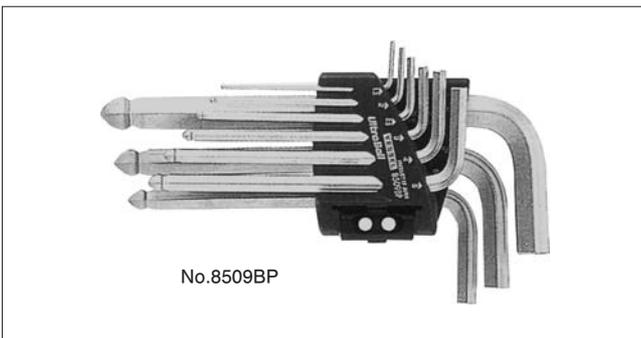
Model	Opening mm
<b>YT-890</b>	8 × 9 × 10
<b>YT-024</b>	10 × 12 × 14

### HEXAGON WRENCH SET



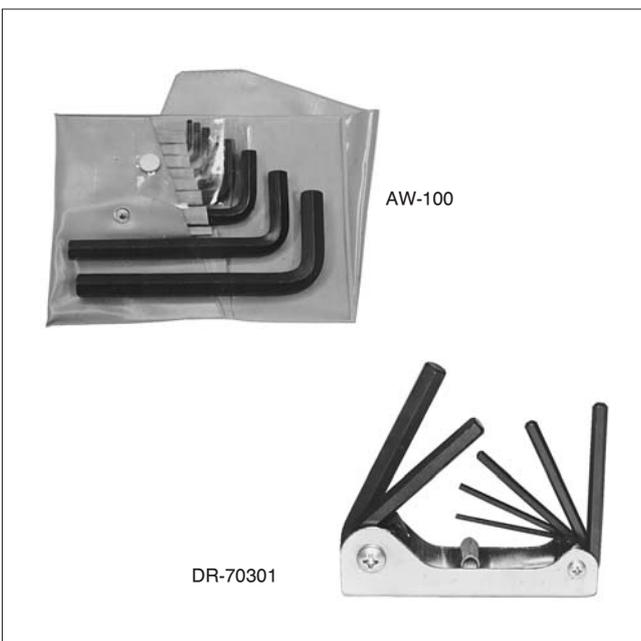
Model	Wrench Sizes mm
<b>AP-0710</b>	2.5, 3, 4, 5, 6, 8, 10 7pcs.

### HEXAGON WRENCH SET, LONG TYPE



Model	Set Contents mm
<b>No.8506BP</b>	1.5, 2, 2.5, 3, 4, 5
<b>No.8509BP</b>	1.5, 2, 2.5, 3, 4, 5, 6, 8, 10

### HEXAGON WRENCH SET



Model	Set Contents
<b>AW-50</b>	mm – 1.27, 1.5, 2.0, 2.5, 3.0 Set of 5pcs.
<b>AW-70</b>	mm – 2.5, 3, 4, 5, 6, 8, 10 Set of 7pcs.
<b>AW-100</b>	in. – $\frac{5}{32}$ , $\frac{3}{16}$ , $\frac{7}{32}$ , $\frac{1}{4}$ , $\frac{5}{16}$ , $\frac{3}{8}$ , $\frac{1}{2}$ , $\frac{9}{16}$ , $\frac{5}{8}$ Set of 9pcs.

- Following sizes available in piece:
  - mm size: 2, 2.5, 3, 4, 5, 6, 8, 10, 12, 14, 17, 19, 22, 24, 27
  - inch size:  $\frac{1}{8}$ ,  $\frac{5}{32}$ ,  $\frac{3}{16}$ ,  $\frac{1}{4}$ ,  $\frac{5}{16}$ ,  $\frac{3}{8}$ ,  $\frac{7}{16}$ ,  $\frac{1}{2}$ ,  $\frac{9}{16}$ ,  $\frac{5}{8}$ ,  $\frac{3}{4}$

- Folding Type

Model	Wrench Sizes mm
<b>DR-70301</b>	2.5, 3, 4, 5, 6, 8, 10 7pcs.

# HAND TOOLS AND MISCELLANEOUS

## HEXAGON SOCKET



3X-124M

Model	Set Contents
<b>3X-124M</b>	3X-52-4, 5, 6, 8, 10, 12 3X-75-4, 5, 6, 8, 10, 12 3X-5J, 6J, 8J, 10J

### • 6.4mm (1/4") Square Drive

Model	Length mm	Opening mm
<b>2X-25-3</b>	25	3
<b>2X-25-4</b>	25	4
<b>2X-25-5</b>	25	5

Model	Length mm	Opening mm
<b>2X-25-6</b>	25	6
<b>2X-25-8</b>	25	8
<b>2X-25-10</b>	25	10

### • 9.5mm (3/8") Square Drive

Model	Length mm	Opening mm
<b>3X-75-4</b>	75	4
<b>3X-75-5</b>	75	5
<b>3X-75-6</b>	75	6

Model	Length mm	Opening mm
<b>3X-75-8</b>	75	8
<b>3X-75-10</b>	75	10
<b>3X-75-12</b>	75	12

### • 12.7mm (1/2") Square Drive

Model	Length mm	Opening mm
<b>4X-60-5</b>	60	5
<b>4X-60-6</b>	60	6
<b>4X-60-8</b>	60	8
<b>4X-60-10</b>	60	10

Model	Length mm	Opening mm
<b>4X-60-12</b>	60	12
<b>4X-60-14</b>	60	14
<b>4X-60-17</b>	60	17

## ADJUSTABLE WRENCH



### • JIS H-Grade

Model	Overall Length mm	Max. Opening mm
<b>HM-4</b>	100	13
<b>BS-6</b>	150	20
<b>BS-8</b>	200	24
<b>BS-10</b>	250	29
<b>BS-12</b>	300	34
<b>HM-15</b>	375	44
<b>HM-18</b>	450	54

### • JIS P-Grade

Model	Overall Length mm	Max. Opening mm
<b>PM-150</b>	150	20
<b>PM-200</b>	200	24
<b>PM-250</b>	250	29
<b>PM-300</b>	300	34

## ADJUSTABLE PIPE WRENCH



Popular Grade

High Grade

### • Popular Grade

Model	Overall Length mm	Opening mm
<b>PW-8N</b>	200	4 – 18
<b>PW-10N</b>	250	6 – 20
<b>PW-12N</b>	300	6 – 26

### • High Grade (JIS B4606)

Model	Overall Length mm	Opening mm
<b>PW-6</b>	150	20
<b>PW-8</b>	200	25
<b>PW-10</b>	250	32
<b>PW-12</b>	300	40
<b>PW-14</b>	350	50

Model	Overall Length mm	Opening mm
<b>PW-18</b>	450	65
<b>PW-24</b>	600	80
<b>PW-36</b>	900	100
<b>PW-48</b>	1,220	125

### • With Indicator

Model	Overall Length mm	Opening mm
<b>CPW-250</b>	250	8 – 25
<b>CPW-300</b>	300	10 – 32
<b>CPW-350</b>	350	15 – 40

Model	Overall Length mm	Opening mm
<b>CPW-450</b>	450	25 – 50
<b>ACPW-600</b>	600	40 – 80
<b>ACPW-900</b>	900	65 – 100

## SLIM PIPE WRENCH



Model	Overall Length mm	Opening mm
<b>SL-250</b>	224	13-38
<b>SL-350</b>	310	16-52

## LOCK PIPE WRENCH



Model	Overall Length mm	Opening mm
<b>BS-75</b>	306	50

## PLIER



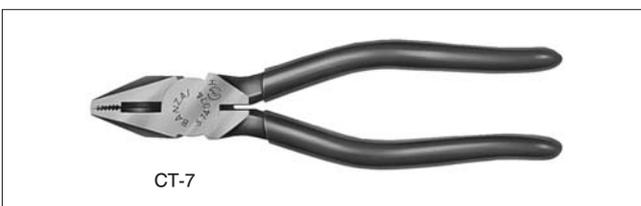
Description	Model	Overall Length mm
Combination Plier, Popular Grade	<b>H-26B</b>	150
	<b>H-28B</b>	200
Combination Plier, High Grade	<b>H-26</b> <b>H-28</b>	150 200
Long Nose Plier	<b>M-26</b>	166
Water Pump Plier	<b>MG-210</b>	250

## CHAIN NOSE CUTTING PLIER



Model	Overall Length mm
<b>LC-6</b>	150

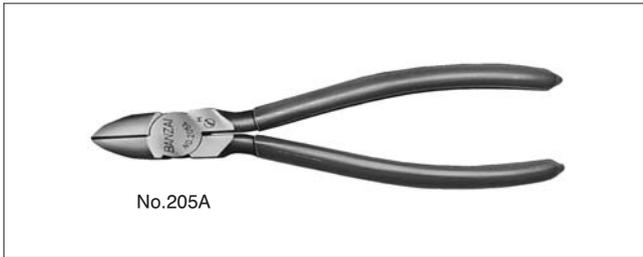
## CUTTING PLIER



Model	Overall Length mm
<b>CT-7</b> <b>CT-8</b>	175 200

# HAND TOOLS AND MISCELLANEOUS

## DIAGONAL CUTTING PLIER



Model	Overall Length mm	Remarks
<b>No.205</b>	150	Popular Grade
<b>No.205A</b>	150	High Grade

## DIAGONAL CUTTING PLIER



Model	Overall Length mm
<b>D-25</b>	125
<b>D-26</b>	150

## BRAKE SPRING PLIER



Model	Overall Length mm
<b>Y-75-185</b>	185
<b>Y-75-225</b>	225

## NAIL PLIER



Ideal for removing NAILS from tire.

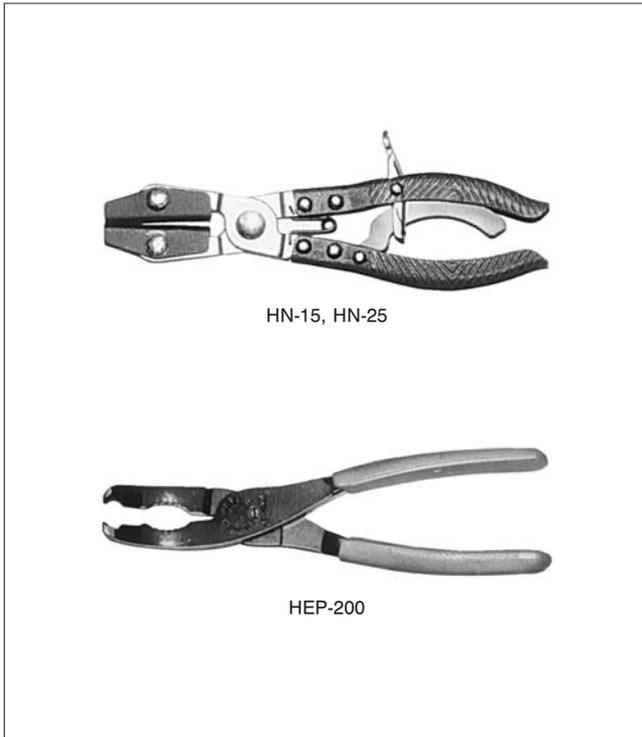
Model	Overall Length mm
<b>2500T</b>	200

## BOLT CLIPPER



Model	Cutting Capacity mm	Overall Length mm	Weight kg
<b>NB-12</b>	5 $\phi$	300	0.74
<b>NB-14</b>	7	350	0.9
<b>NB-18</b>	8	450	1.6
<b>NB-24</b>	10	600	2.6
<b>NB-30</b>	13	750	4.0
<b>NB-36</b>	16	900	6.75
<b>NB-42</b>	19	1,050	8.9

## HOSE PINCH-OFF PLIER



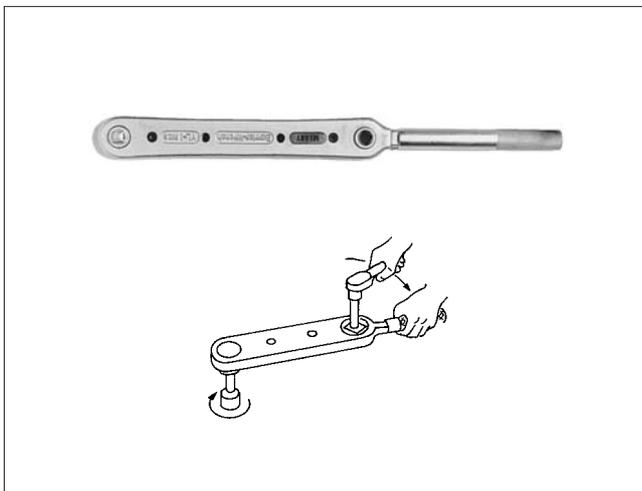
- Hose Pinch-Off Plier
  - Special tool for all kinds of hose shut.
  - Can keep Liquid, Vacuum Remaining.

Model	Overall Length mm
<b>HN-15</b>	200
<b>HN-25</b>	245

- Hose Plier
  - Special tool for removing of hoses.

Model	Overall Length mm
<b>HEP-200</b>	210

## BARRIER WRENCH



Model	Drive Size mm
<b>YL-1A</b>	凸 9.5 × □ 9.5
<b>YL-1B</b>	凸12.7 × □ 9.5
<b>YL-2</b>	凸12.7 × □12.7
<b>YL-2A</b>	凸12.7 × □12.7

YL-2A: Light Weight Model.

## HOSE CUTTING PLIER



Special tool for cutting radiator hose

Model	Overall Length mm
<b>SX-10</b>	10

# HAND TOOLS AND MISCELLANEOUS

## SOLDERLESS TERMINAL KIT



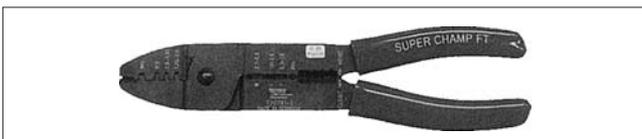
TK-B-1		TK-B-15	
TK-B-2		TK-B-16	
TK-B-3		TK-B-17	
TK-B-4		TK-B-18	
TK-B-5		TK-B-19	
TK-B-7		TK-B-20	
TK-B-8		TK-B-21	
TK-B-9		TK-B-22	
TK-B-10		B-14	
TK-B-13			

Model	Case Size mm	Set Contents
<b>ST-140</b>	255 × 150 × 25	Marked "※" as below

### • Spare Parts

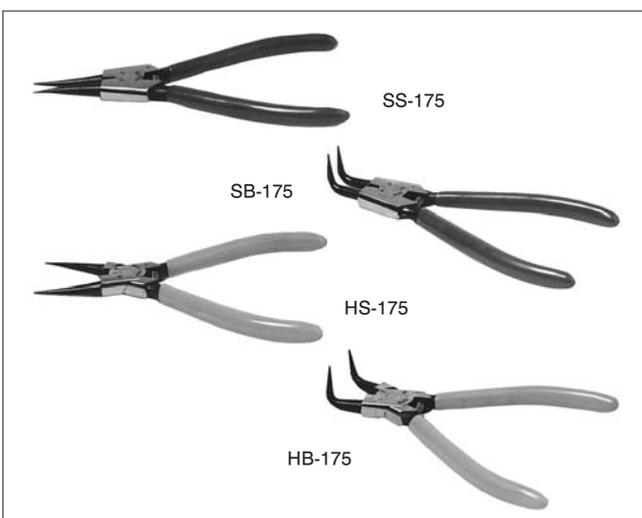
Model	Description	Specifications	Q'ty
※TK-B-1	Plug	0.5 – 2mm <sup>2</sup> for 5mm	100
※TK-B-2	Socket	0.5 – 2mm <sup>2</sup> for 5mm	100
※TK-B-3	Sleeve	For TK-B-1	100
※TK-B-4	Sleeve	For TK-B-2	100
TK-B-5	Plug	0.5 – 1.5mm <sup>2</sup>	100
TK-B-7	110 Connector	4-conductor	10
※TK-B-8	Connector	1.25mm <sup>2</sup>	20
※TK-B-9	250 Plug	0.5 – 2.30mm <sup>2</sup>	100
※TK-B-10	250 Socket	0.5 – 2.30mm <sup>2</sup>	100
※TK-B-13	250 Connector	6-conductor	10
TK-B-15	Tool Case		1
※TK-B-16	Double Socket	0.50 – 2.30mm <sup>2</sup>	100
※TK-B-17	Sleeve	For TK-B-16	100
TK-B-18	250 Connector	4-conductor	10
TK-B-19	110 Connector	6-conductor	10
※TK-B-20	Terminal	0.50 – 1.50mm <sup>2</sup>	100
※TK-B-21	Terminal	0.50 – 1.5mm <sup>2</sup> , 4φ	100
※TK-B-22	Terminal	0.50 – 1.5mm <sup>2</sup> , 5φ	100
※B-14	Terminal Plier	210mm	1

## TERMINAL PLIER



Model	Overall Length mm
<b>FRC-200</b>	223

## SNAPRING PLIER



### • For External

Model	Capacity mm	Overall Length mm	Shape
<b>SS-175</b>	19 – 40 φ	175	Straight Jaw
<b>SB-175</b>	19 – 40 φ	175	90° Jaw

### • For Internal

Model	Capacity mm	Overall Length mm	Shape
<b>HS-175</b>	19 – 65 φ	175	Straight Jaw
<b>HB-175</b>	19 – 65 φ	175	90° Jaw

## CONVERTIBLE SNAP-RING PLIER SET



Model	<b>380</b>	
Set Contents	External 6.35 – 50.8mm Internal 9.5 – 50.8mm	
	Spare Blade	90° × 0.9mm × 4pcs. 45° × 1.1mm × 4pcs. 0° × 1.1mm × 4pcs. 0° × 1.5mm × 4pcs.
Overall Length mm	159	

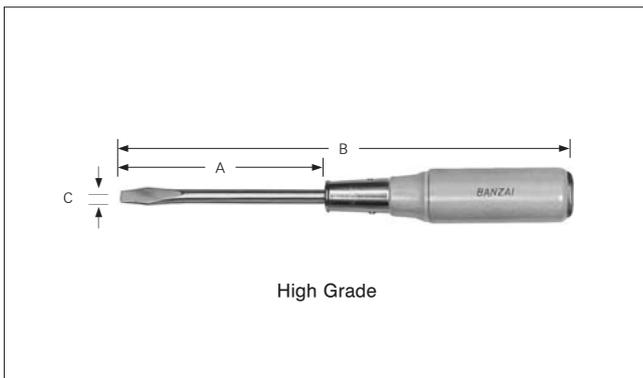
## LOCK RING PLIER



- Special tool for external SA-type snap-ring

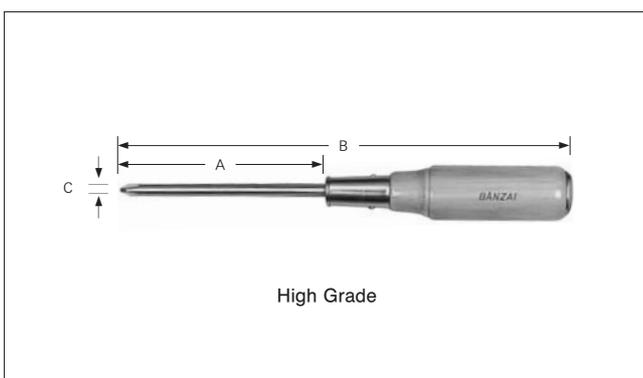
Model	Opening mm	Capacity mm	Overall Length mm
<b>LP-200</b>	25	SA20 – 80	195

## WOOD HANDLE SCREW DRIVER



- Steel End Cap (-)

Model	A mm	B mm	C mm
<b>2BH</b>	50	153	4.5
<b>3BH</b>	75	178	5.5
<b>4BH</b>	100	218	6.0
<b>5BH</b>	125	258	7.0
<b>6BH</b>	150	283	8.0
<b>8BH</b>	200	355	9.0
<b>10BH</b>	250	405	10.0
<b>12BH</b>	300	455	10.0

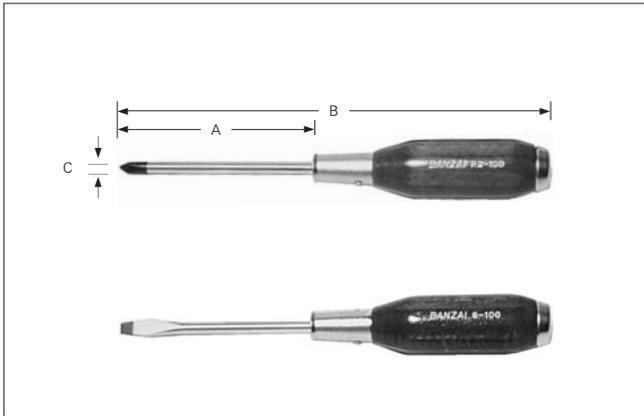


- (+)

Model	A mm	B mm	C (Size)
<b>No.1B</b>	75	178	#1
<b>No.2B</b>	100	218	#2
<b>No.3B</b>	150	283	#3
<b>No.4B</b>	200	355	#4

# HAND TOOLS AND MISCELLANEOUS

## MAGNETIC WOOD HANDLE SCREW DRIVER



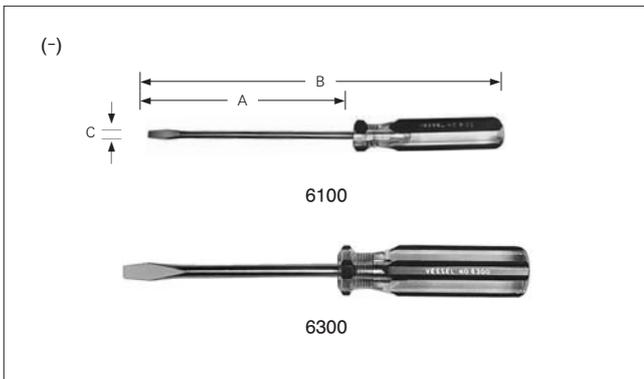
(-)

Model	A mm	B mm	C mm
<b>No.100-3</b>	75	182	5.5
<b>No.100-4</b>	100	223	6.0
<b>No.100-6</b>	150	294	8.0
<b>No.100-12</b>	300	423	8.0

(+)

Model	A mm	B mm	C (Size)
<b>No.100-1B</b>	75	182	#1
<b>No.100-2B</b>	100	223	#2
<b>No.100-No.2-12</b>	300	423	#2
<b>No.100-3B</b>	150	294	#3

## PLASTIC INSULATED HANDLE SCREW DRIVER



(-)

• Magnetic Blade

(-)

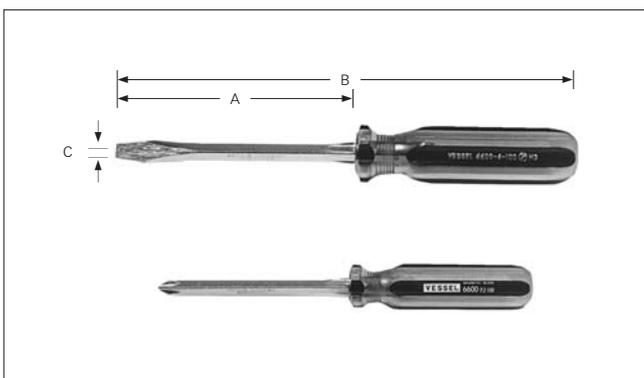
Model	A mm	B mm	C mm
<b>6100-2</b>	50	123	4.0
<b>6100-3</b>	75	148	4.0
<b>6100-4</b>	100	173	4.0
<b>6100-5</b>	125	198	4.0
<b>6100-6</b>	150	223	4.0
<b>6100-8</b>	200	273	4.0
<b>6300-2</b>	50	138	4.5
<b>6300-3</b>	75	163	5.5
<b>6300-4</b>	100	198	6.0
<b>6300-5</b>	125	238	7.0
<b>6300-6</b>	150	263	8.0
<b>6300-8</b>	200	320	9.0
<b>6300-10</b>	250	370	10.0
<b>6300-12</b>	300	420	10.0

(+)

(+)

Model	A mm	B mm	C (Size)
<b>6100-No.0</b>	75	148	#0
<b>6100-No.1</b>	75	148	#1
<b>6300-No.1</b>	75	163	#1
<b>6300-No.2</b>	100	198	#2
<b>6300-No.3</b>	150	263	#3
<b>6300-No.4</b>	200	320	#4

## SQUARE SHANK SCREW DRIVER



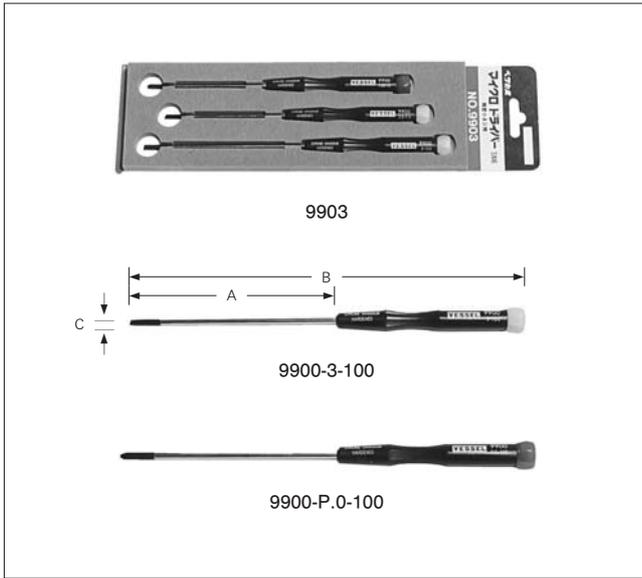
(-)

Model	A mm	B mm	C mm
<b>6600-3</b>	75	160	5
<b>6600-4</b>	100	195	6
<b>6600-6</b>	150	260	8

(+)

Model	A mm	B mm	C (Size)
<b>6600-No.1</b>	75	160	5
<b>6600-No.2</b>	100	195	6
<b>6600-No.3</b>	150	260	8

## MICRO SCREN DRIVER SET



• Driver Set

Model	Set Contents
<b>9903</b>	9900-2.5-75, 9900-3-100, 9900-P.00-75

• Individual Unit

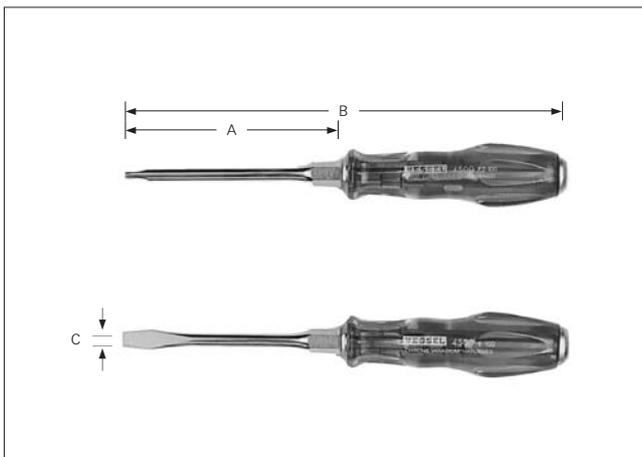
(-)

Model	A mm	B mm	C mm
<b>9900-2.5-75</b>	75	165	2.5
<b>9900-3-100</b>	100	190	3
<b>9900-3-150</b>	150	240	3

(+)

Model	A mm	B mm	C (Size)
<b>9900-P.00-75</b>	75	165	#00
<b>9900-P.0-100</b>	100	190	#0
<b>9900-P.0-150</b>	150	240	#0

## POWER GRIP DRIVER



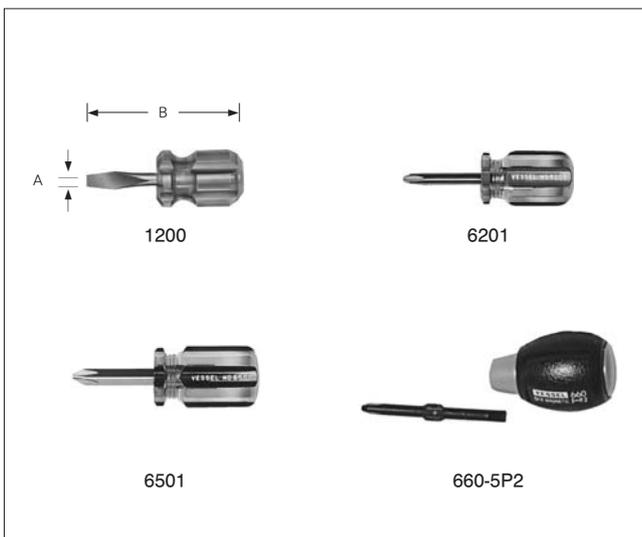
(-)

Model	A mm	B mm	C mm
<b>4500-3</b>	75	172	5.5
<b>4500-4</b>	100	204	6.0
<b>4500-6</b>	150	265	8.0
<b>4500-8</b>	200	320	9.0

(+)

Model	A mm	B mm	C (Size)
<b>4500-No.1-3</b>	75	172	#1
<b>4500-No.2-4</b>	100	204	#2
<b>4500-No.3-6</b>	150	265	#3
<b>4500-No.4-8</b>	200	320	#4

## STUBBY SCREW DRIVER



Model	A mm	B mm	Tip	Note
<b>1200</b>	6mm	85	(-)	Standard
<b>1201</b>	#1	85	(+)	//
<b>1202</b>	#2	85	(+)	//
<b>6200</b>	6mm	86	(-)	Magnetic Type
<b>6201</b>	#1	86	(+)	//
<b>6202</b>	#2	86	(+)	//
<b>6500</b>	6mm	86	(-)	Magnetic Type
<b>6501</b>	#1	86	(+)	//
<b>6502</b>	#2	86	(+)	//
<b>660-5P2</b>	Convertivel (-)5mm, (+)#2, B=60mm Magnetic Blade, Cushon Grip			

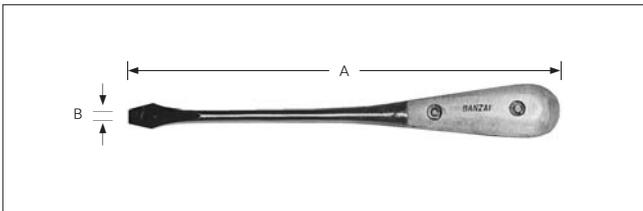
# HAND TOOLS AND MISCELLANEOUS

## OFFSET DRIVER



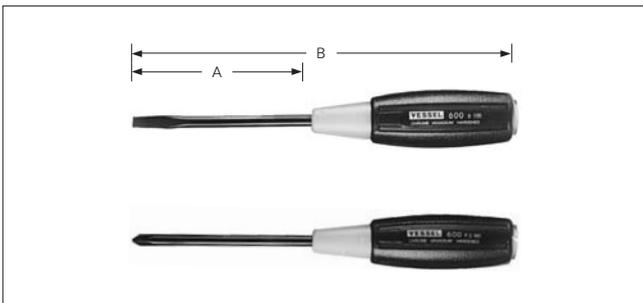
Model	Overall Length mm	(+)# : (-)mm
<b>OD-15</b>	125	1 : 5
<b>OD-26</b>	125	2 : 6
<b>OD-36</b>	150	3 : 8

## INTEGRAL HANDLE SCREW DRIVER



Model	A mm	B mm
<b>5Y</b>	265	10
<b>6Y</b>	280	10
<b>8Y</b>	360	10
<b>10Y</b>	410	10

## CUSHION GRIP DRIVER



• Magnet Blade

(-)

Model	A mm	B mm
<b>600-55-3</b>	75	182
<b>600-55-4</b>	100	207
<b>600-60-4</b>	100	215
<b>600-60-6</b>	150	265
<b>600-80-6</b>	150	275

(+)

Model	A mm	B mm
<b>600-No.1-3</b>	75	182
<b>600-No.1-4</b>	100	207
<b>600-No.2-4</b>	100	215
<b>600-No.2-6</b>	150	265
<b>600-No.3-6</b>	150	275

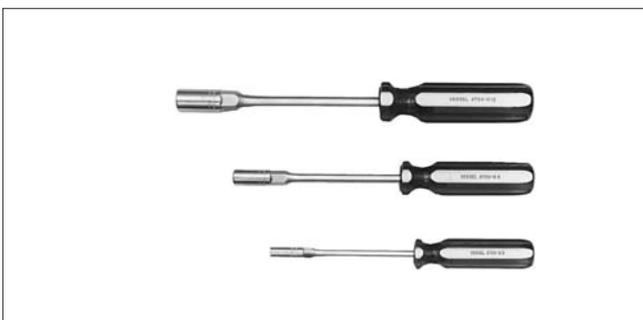
## WOOD HANDLE NUT DRIVER



Model	Size mm	Overall Length mm
<b>120-4</b>	4	170
<b>120-5</b>	5	210
<b>120-5.5</b>	5.5	210
<b>120-6</b>	6	220
<b>120-7</b>	7	230
<b>120-8</b>	8	230
<b>120-9</b>	9	250

Model	Size mm	Overall Length mm
<b>120-10</b>	10	250
<b>120-11</b>	11	250
<b>120-12</b>	12	250
<b>120-13</b>	13	292
<b>120-14</b>	14	292
<b>120-17</b>	17	313

## PLASTIC HANDLE NUT DRIVER



Model	Size mm	Overall Length mm
<b>6700-5</b>	5	202
<b>6700-5.5</b>	5.5	202
<b>6700-6</b>	6	202
<b>6700-7</b>	7	227

Model	Size mm	Overall Length mm
<b>6700-8</b>	8	227
<b>6700-10</b>	10	265
<b>6700-12</b>	12	265

**“TORX” SOCKET WRENCH SET**



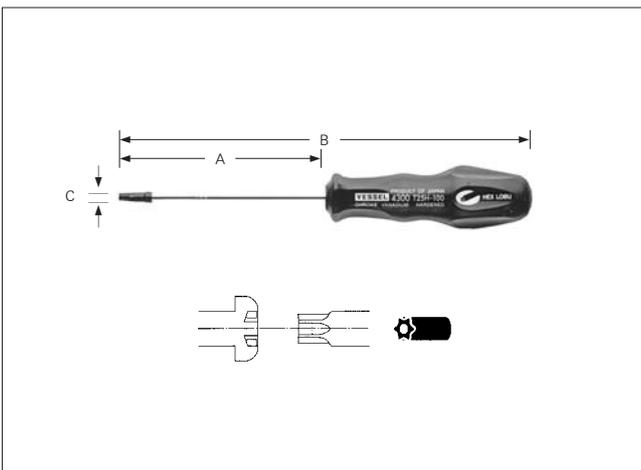
Model	<b>TX-15</b>	
Contents	T-type (6.35mm) T10H, T15H, T20H, T25H, T27H T-type (9.5mm) T30, T40, T45, T50 E-type (9.5mm) E8, E10, E12 Socket Adaptor 6.35mm/9.5mm Extension bar 125mm (9.5mm) Ratchet Wrench (9.5mm)	
Case Dimensions	mm	244 × 104 × 33
Weight	kg	1.1

**HEXAGON SOCKET SET**



Model	<b>3TX-102</b>	
Contents	T-Type T20, T25, T27, T30 T40, T45, T50 E-Type E8, E10, E12 RH-307 Ratchet Handle E-303 Extension Bar	
Case Dimension	mm	240 × 100 × 30
Weight	kg	approx. 1

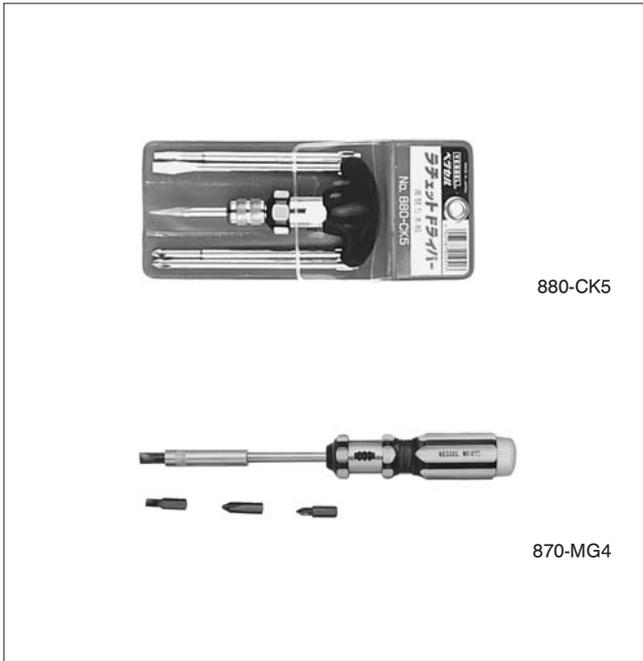
**“TORX” DRIVER**



Model	A mm	B mm	C mm
<b>5400TXT5X80</b>	80	155	2.5
<b>5400TXT6X80</b>	80	155	2.5
<b>5400TXT7HX80</b>	80	155	2.5
<b>5400TXT8HX80</b>	80	155	3.0
<b>5400TXT9HX80</b>	80	155	3.0
<b>5400TXT10HX80</b>	80	155	3.0
<b>5400TXT15HX80</b>	80	177	3.5
<b>5400TXT20HX120</b>	120	217	4.0
<b>5400TXT25HX120</b>	120	224	5.0
<b>5400TXT27HX120</b>	120	224	5.0
<b>5400TXT30HX120</b>	120	235	6.0
<b>5400TXT40HX120</b>	120	235	7.0

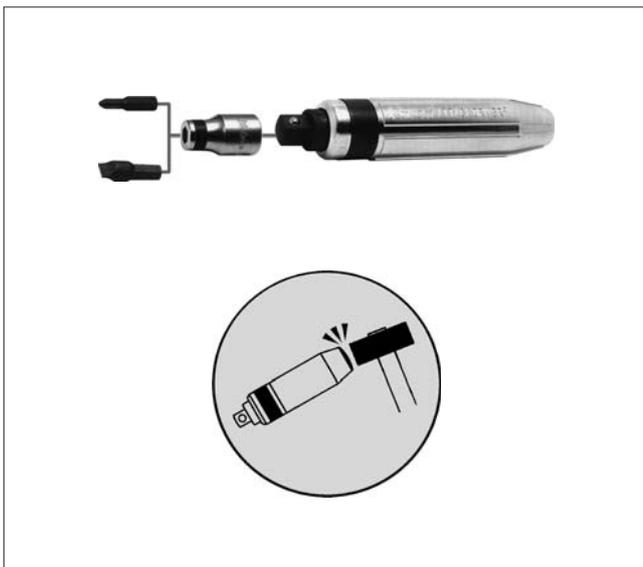
# HAND TOOLS AND MISCELLANEOUS

## RATCHET DRIVER



Model	Set Contents
<b>870-MG4</b>	Magnetic Chuck, Bit (-) 2pcs., (+) 2pcs. Overall Length 227mm, Kit Bag
<b>880-CK5</b>	Bit (-) 2pcs., (+) 2pcs. Drill 1pc. Overall Length with Bit 195mm

## “ATTACK DRIVER” IMPACT DRIVER SET



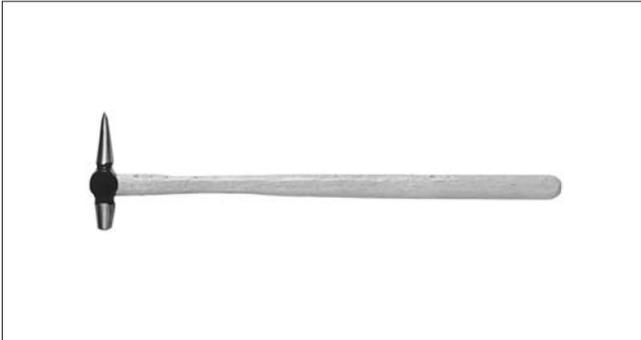
Model	Set Contents	Case Size mm
<b>AN112A</b>	12.7mm (½”) Driver Body	1
	Adapter	1
	(-) Bit (Large & Small)	2
	(+) Bit (Large & Small)	2
		W 190 D 59 H 45

## BALL PEEN HAMMER



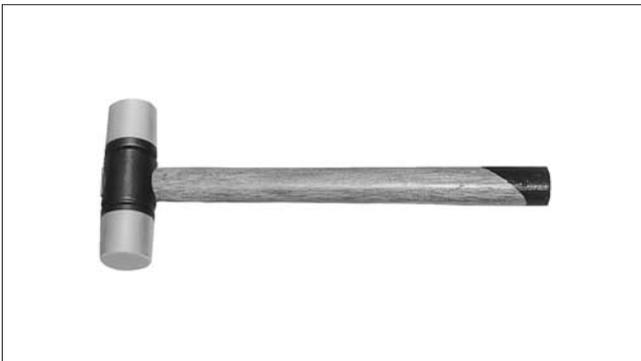
Model	Nominal Weight g (lb)	Overall Length mm	Model	Nominal Weight g (lb)	Overall Length mm
<b>BH-4</b>	100(¼)	266	<b>BH-24</b>	650(1½)	360
<b>BH-8</b>	250(½)	304	<b>BH-32</b>	900(2)	393
<b>BH-12</b>	350(¾)	317	<b>BH-40</b>	1,100(2½)	419
<b>BH-16</b>	450(1)	317	<b>BH-48</b>	1,300(3)	445
<b>BH-20</b>	550(1¼)	360			

## TEST HAMMER



Model	Nominal Weight g	Overall Length mm
<b>TH-438</b>	100	380
<b>TH-842</b>	250	420
<b>TH-860</b>	250	600
<b>TH-890</b>	250	900

## PLASTIC HAMMER



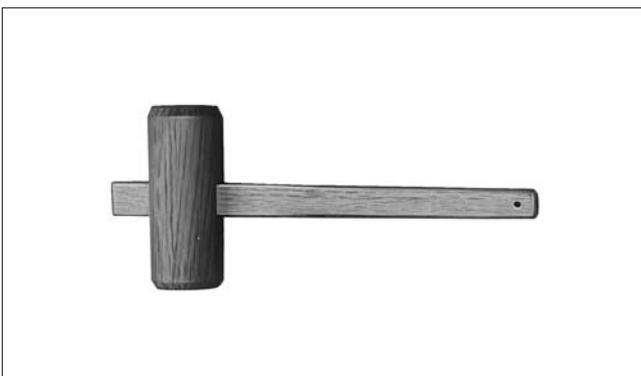
Model	Nominal Weight g	Overall Length mm
<b>PH-1</b>	225	275
<b>PH-2</b>	450	290
<b>PH-3</b>	675	320
<b>PH-4</b>	900	345

## SOFT HAMMER



Model	Nominal Weight g	Overall Length mm
<b>SPH-2</b>	200	300
<b>SPH-5</b>	500	330
<b>SPH-8</b>	800	350
<b>SPH-10</b>	1,000	"/
<b>SPH-13</b>	1,350	360
<b>SPH-18</b>	1,850	375

## WOOD MALLET



Model	Head Dia. mm	Overall Length mm	Weight kg
<b>WH-1</b>	45	300	0.2
<b>WH-2</b>	60	360	0.5
<b>WH-3</b>	90	390	1.2

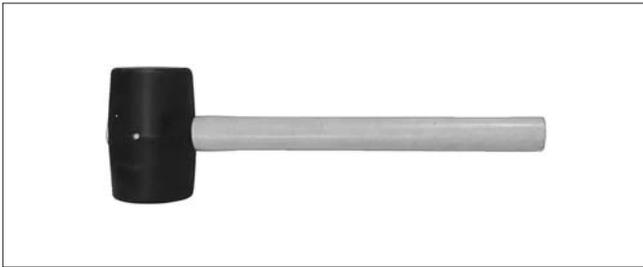
# HAND TOOLS AND MISCELLANEOUS

## COPPER HAMMER



Model	Nominal Weight g (lb)	Overall Length mm
<b>CH-8</b>	250(1/2)	270
<b>CH-16</b>	450(1)	290
<b>CH-24</b>	650(1 1/2)	325
<b>CH-32</b>	900(2)	355
<b>CH-48</b>	1,300(3)	380

## RUBBER HAMMER



Model	Nominal Weight g	Overall Length mm
<b>RH-8</b>	250	290
<b>RH-16</b>	450	330
<b>RH-24</b>	650	350

## DOUBLE-FACE SLEDGE HAMMER



Model	Nominal Weight g	Overall Length mm
<b>DSH-2</b>	0.9( 2)	300
<b>DSH-3</b>	1.3( 3)	360
<b>DSH-4</b>	1.8( 4)	450
<b>DSH-5</b>	2.3( 5)	450
<b>DSH-6</b>	2.7( 6)	810
<b>DSH-8</b>	3.5( 8)	900
<b>DSH-10</b>	4.5(10)	900
<b>DSH-12</b>	5.4(12)	900
<b>DSH-15</b>	6.7(15)	900
<b>DSH-20</b>	9 (20)	900

## SHOCK-LESS HAMMER



Model	Nominal Weight g	Overall Length mm
<b>BCS-10LT</b>	660	320
<b>BCOM-10</b>	610	310
<b>BCOM-15</b>	910	345
<b>BCOM-25</b>	1,400	380
<b>BUS-10</b>	450	330
<b>BUS-15</b>	650	360
<b>BUS-20</b>	900	390
<b>BUS-30</b>	1,350	450

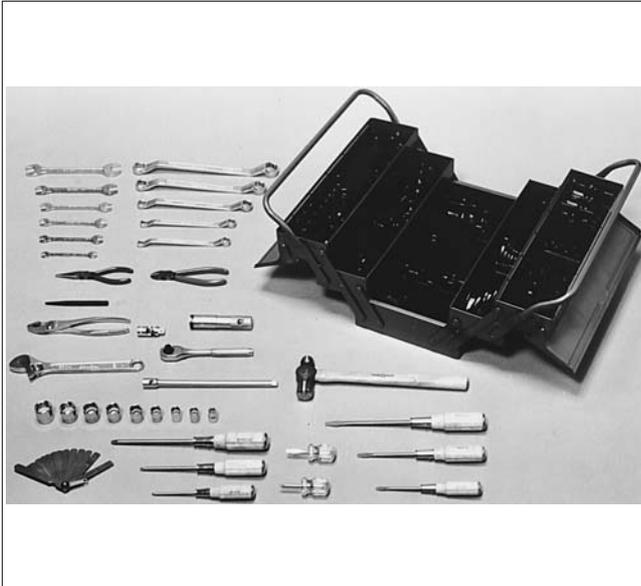
## MECHANICS TOOL SET for Cars & Light Trucks



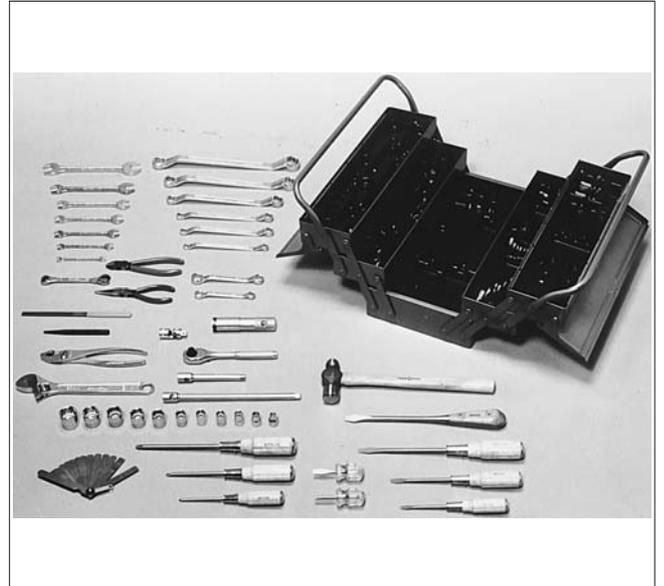
Model	Description	Carton Dimensions mm	Net Weight kg
<b>CU-340</b>	Light Duty Standard Set	270 × 470 × 320	13.0
<b>CU-350</b>	Light Duty Deluxe Set	270 × 470 × 320	13.0
<b>CU-440</b>	Medium Duty Standard Set	270 × 470 × 320	13.0
<b>CU-450</b>	Medium Duty Deluxe Set	270 × 470 × 320	14.0

Contents: Listed on next page

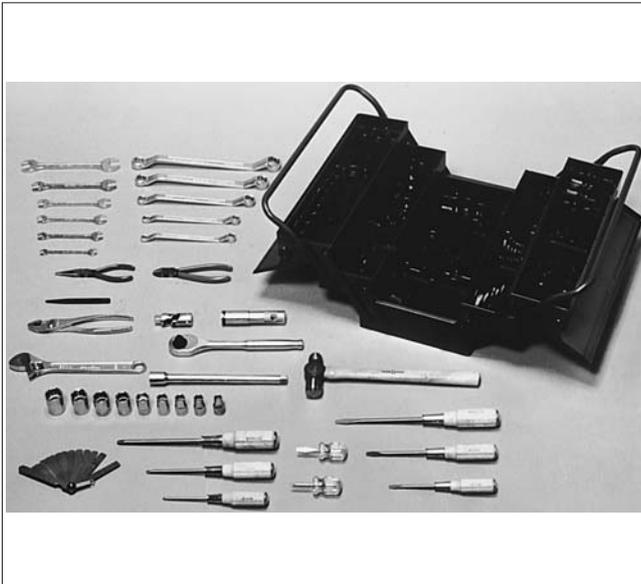
• **CU-340** Light Duty Standard Set (40pcs.)



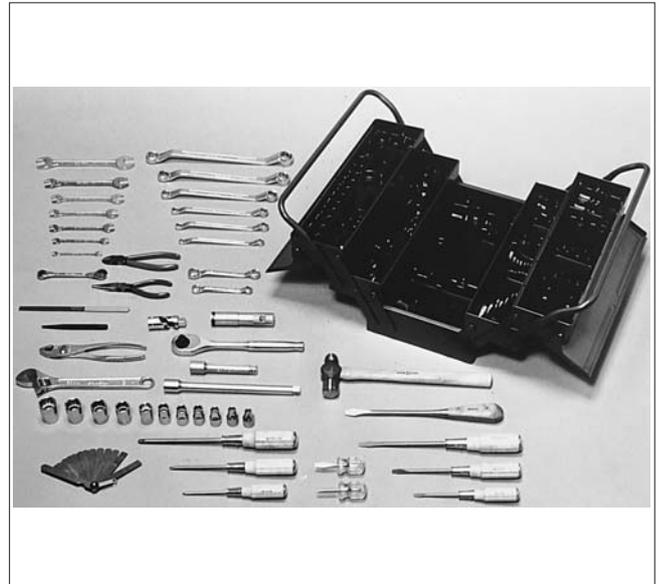
• **CU-350** Light Duty Deluxe Set (50pcs.)



• **CU-440** Medium Duty Standard Set (40pcs.)



• **CU-450** Medium Duty Deluxe Set (50pcs.)



# HAND TOOLS AND MISCELLANEOUS

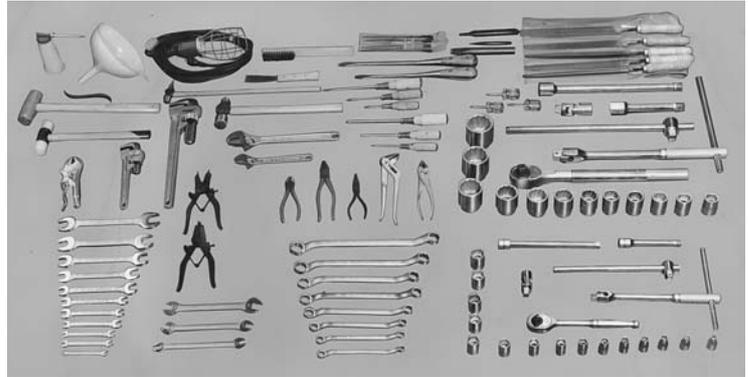
## MECHANICS TOOL SET for Cars & Light Trucks

Model	Set Contents	CU-340	CU-350	CU-440	CU-450
<b>TB-003</b> <b>TB-004</b>	Tool Case, 220×420×190mm, Green painted Tool Case, 220×420×190mm, Blue painted	○	○	○	○
<b>SM-0607</b> <b>SM-0809</b> <b>SM-1012</b> <b>SM-1113</b> <b>SM-1214</b> <b>SM-1417</b> <b>SM-1921</b>	Open End Wrench, 6×7mm Open End Wrench, 8×9mm Open End Wrench, 10×12mm Open End Wrench, 11×13mm Open End Wrench, 12×14mm Open End Wrench, 14×17mm Open End Wrench, 19×21mm	○ ○ ○ ○ ○ ○ ○	○ ○ ○ ○ ○ ○ ○	○ ○ ○ ○ ○ ○ ○	○ ○ ○ ○ ○ ○ ○
<b>ML-0809</b> <b>ML-1012</b> <b>ML-1113</b> <b>ML-1417</b> <b>ML-1921</b> <b>ML-2224</b> <b>MS-1012</b> <b>MS-1417</b>	45° Double Offset Box Wrench (Long type), 8×9mm 45° Double Offset Box Wrench (Long type), 10×12mm 45° Double Offset Box Wrench (Long type), 11×13mm 45° Double Offset Box Wrench (Long type), 14×17mm 45° Double Offset Box Wrench (Long type), 19×21mm 45° Double Offset Box Wrench (Long type), 22×24mm 45° Double Offset Box Wrench (Short type), 10×12mm 45° Double Offset Box Wrench (Short type), 14×17mm	○ ○ ○ ○ ○ ○ ○ ○	○ ○ ○ ○ ○ ○ ○ ○	○ ○ ○ ○ ○ ○ ○ ○	○ ○ ○ ○ ○ ○ ○ ○
<b>3A08</b> <b>3A10</b> <b>3A11</b> <b>3E12</b> <b>3E13</b> <b>3E14</b> <b>3E17</b> <b>3E19</b> <b>3E21</b> <b>3E22</b> <b>3E24</b>	$\frac{3}{8}$ " 6 points Socket, 8mm $\frac{3}{8}$ " 6 points Socket, 10mm $\frac{3}{8}$ " 6 points Socket, 11mm $\frac{3}{8}$ " 12 points Socket, 12mm $\frac{3}{8}$ " 12 points Socket, 13mm $\frac{3}{8}$ " 12 points Socket, 14mm $\frac{3}{8}$ " 12 points Socket, 17mm $\frac{3}{8}$ " 12 points Socket, 19mm $\frac{3}{8}$ " 12 points Socket, 21mm $\frac{3}{8}$ " 12 points Socket, 22mm $\frac{3}{8}$ " 12 points Socket, 24mm	○ ○ ○ ○ ○ ○ ○ ○ ○ ○ ○	○ ○ ○ ○ ○ ○ ○ ○ ○ ○ ○		
<b>4E08</b> <b>4E10</b> <b>4E11</b> <b>4E12</b> <b>4E13</b> <b>4E14</b> <b>4E17</b> <b>4E19</b> <b>4E21</b> <b>4E22</b> <b>4E24</b>	$\frac{1}{2}$ " 12 points Socket, 8mm $\frac{1}{2}$ " 12 points Socket, 10mm $\frac{1}{2}$ " 12 points Socket, 11mm $\frac{1}{2}$ " 12 points Socket, 12mm $\frac{1}{2}$ " 12 points Socket, 13mm $\frac{1}{2}$ " 12 points Socket, 14mm $\frac{1}{2}$ " 12 points Socket, 17mm $\frac{1}{2}$ " 12 points Socket, 19mm $\frac{1}{2}$ " 12 points Socket, 21mm $\frac{1}{2}$ " 12 points Socket, 22mm $\frac{1}{2}$ " 12 points Socket, 24mm			○ ○ ○ ○ ○ ○ ○ ○ ○ ○ ○	○ ○ ○ ○ ○ ○ ○ ○ ○ ○ ○
<b>E-305</b> <b>E-310</b> <b>UJ-3</b> <b>RH-307</b> <b>3P-14N</b>	$\frac{3}{8}$ " Extension Bar, 125mm $\frac{3}{8}$ " Extension Bar, 250mm $\frac{3}{8}$ " Universal Joint $\frac{3}{8}$ " Ratchet Handle, 200mm $\frac{3}{8}$ " Spark Plug Socket, for 14mm thread	○ ○ ○ ○ ○	○ ○ ○ ○ ○		
<b>E-405</b> <b>E-410</b> <b>UJ-4</b> <b>RH-410</b> <b>4P-14N</b>	$\frac{1}{2}$ " Extension Bar, 125mm $\frac{1}{2}$ " Extension Bar, 250mm $\frac{1}{2}$ " Universal Joint $\frac{1}{2}$ " Ratchet Handle, 250mm $\frac{1}{2}$ " Spark Plug Socket, for 14mm thread			○ ○ ○ ○ ○	○ ○ ○ ○ ○
<b>FM-1012</b> <b>BS-10</b> <b>H-28</b> <b>No.205A</b> <b>LC-6</b>	Flare Nut Wrench, 10×12mm Adjustable Wrench, 250mm Combination Plier, 200mm Diagonal Cutting Plier, 150mm Chain Nose Plier, 150mm	○ ○ ○ ○ ○	○ ○ ○ ○ ○	○ ○ ○ ○ ○	○ ○ ○ ○ ○
<b>3BH</b> <b>4BH</b> <b>6BH</b>	Screw Driver Flat Tip, 75mm Screw Driver Flat Tip, 100mm Screw Driver Flat Tip, 150mm	○ ○ ○	○ ○ ○	○ ○ ○	○ ○ ○
<b>No.1B</b> <b>No.2B</b> <b>No.3B</b> <b>1200</b> <b>1202</b> <b>6Y</b>	Screw Driver Cross Tip, 75mm Screw Driver Cross Tip, 100mm Screw Driver Cross Tip, 150mm Stubby Driver, Flat Tip Stubby Driver, Cross tip Integral Handle Driver, 280mm	○ ○ ○ ○ ○ ○	○ ○ ○ ○ ○ ○	○ ○ ○ ○ ○ ○	○ ○ ○ ○ ○ ○
<b>C-20</b> <b>BH-16</b> <b>FL-150M</b> <b>TUG-118S</b>	Center Punch Ball Peen Hammer, 450gram File, Flat, Medium Cut, 150mm Tune-up Gauge (thickness gauge set for engine tune-up)	○ ○ ○ ○	○ ○ ○ ○	○ ○ ○ ○	○ ○ ○ ○

## MECHANIC SET for LARGE VEHICLES (110pcs.)



Model	<b>CU-601</b>	
Weight (approx.)	kg	60



Model	Set Contents	Quantity
<b>SM-0607</b>	Open End Wrench 6×7mm	1
<b>SM-0809</b>	Open End Wrench 8×9mm	1
<b>SM-0810</b>	Open End Wrench 8×10mm	1
<b>SM-1012</b>	Open End Wrench 10×12mm	1
<b>SM-1113</b>	Open End Wrench 11×13mm	1
<b>SM-1214</b>	Open End Wrench 12×14mm	1
<b>SM-1417</b>	Open End Wrench 14×17mm	1
<b>SM-1719</b>	Open End Wrench 17×19mm	1
<b>SM-1921</b>	Open End Wrench 19×21mm	1
<b>SM-2224</b>	Open End Wrench 22×24mm	1
<b>SM-2326</b>	Open End Wrench 23×26mm	1
<b>TM-10</b>	Angle Wrench 10×12mm	2
<b>TM-12</b>	Angle Wrench 12×14mm	2
<b>TM-17</b>	Angle Wrench 17×19mm	2
<b>ML-1012</b>	Double Offset Box Wrench 10×12mm	1
<b>ML-1113</b>	Double Offset Box Wrench 11×13mm	1
<b>ML-1214</b>	Double Offset Box Wrench 12×14mm	1
<b>ML-1417</b>	Double Offset Box Wrench 14×17mm	1
<b>ML-1719</b>	Double Offset Box Wrench 17×19mm	1
<b>ML-1921</b>	Double Offset Box Wrench 19×21mm	1
<b>ML-2224</b>	Double Offset Box Wrench 22×24mm	1
<b>ML-2326</b>	Double Offset Box Wrench 23×26mm	1
<b>4E-08</b>	1/2" 12 points Socket 8mm	1
<b>4E-09</b>	1/2" 12 points Socket 9mm	1
<b>4E-10</b>	1/2" 12 points Socket 10mm	1
<b>4E-11</b>	1/2" 12 points Socket 11mm	1
<b>4E-12</b>	1/2" 12 points Socket 12mm	1
<b>4E-13</b>	1/2" 12 points Socket 13mm	1
<b>4E-14</b>	1/2" 12 points Socket 14mm	1
<b>4E-16</b>	1/2" 12 points Socket 16mm	1
<b>4E-17</b>	1/2" 12 points Socket 17mm	1
<b>4E-19</b>	1/2" 12 points Socket 19mm	1
<b>4E-21</b>	1/2" 12 points Socket 21mm	1
<b>4E-22</b>	1/2" 12 points Socket 22mm	1
<b>4E-23</b>	1/2" 12 points Socket 23mm	1
<b>4E-24</b>	1/2" 12 points Socket 24mm	1
<b>4E-26</b>	1/2" 12 points Socket 26mm	1
<b>RH-410</b>	1/2" Ratchet Handle 250mm Ig.	1
<b>NS-412</b>	1/2" Nut Spinner Handle 300mm Ig.	1
<b>CRB-10</b>	1/2" Cross Bar 200mm Ig.	1
<b>SL-412</b>	1/2" Sliding T Handle 300mm Ig.	1
<b>E-405</b>	1/2" Extension Bar 125mm Ig.	1
<b>E-410</b>	1/2" Extension Bar 250mm Ig.	1
<b>UJ-4</b>	1/2" Universal Joint	1
<b>6E-23</b>	3/4" 12 points Socket 23mm	1
<b>6E-26</b>	3/4" 12 points Socket 26mm	1
<b>6E-27</b>	3/4" 12 points Socket 27mm	1
<b>6E-29</b>	3/4" 12 points Socket 29mm	1
<b>6E-30</b>	3/4" 12 points Socket 30mm	1
<b>6E-32</b>	3/4" 12 points Socket 32mm	1

Model	Set Contents	Quantity
<b>6E-35</b>	3/4" 12 points Socket 35mm	1
<b>6E-38</b>	3/4" 12 points Socket 38mm	1
<b>6E-41</b>	3/4" 12 points Socket 41mm	1
<b>6E-46</b>	3/4" 12 points Socket 46mm	1
<b>6E-50</b>	3/4" 12 points Socket 50mm	1
<b>6E-54</b>	3/4" 12 points Socket 54mm	1
<b>RH-622</b>	3/4" Ratchet Handle 500mm Ig.	1
<b>NS-618</b>	3/4" Nut Spinner Handle 450mm Ig.	1
<b>SL-620</b>	3/4" Sliding T Handle 500mm Ig.	1
<b>E-608</b>	3/4" Extension Bar 200mm Ig.	1
<b>E-616</b>	3/4" Extension Bar 400mm Ig.	1
<b>UJ-6</b>	3/4" Universal Joint	1
<b>H-28</b>	Combination Plier 200mm Ig.	1
<b>MG-210</b>	Water Pump Plier	1
<b>LC-6</b>	Chain Nose Cutting Plier	1
<b>CT-8</b>	Cutting Plier	1
<b>205A</b>	Diagonal Cutting Plier	1
<b>No.380</b>	Snap Ring Plier	2
<b>VG-7N</b>	Vice Grip Wrench	1
<b>BS-8</b>	Adjustable Wrench 200mm Ig.	1
<b>BS-12</b>	Adjustable Wrench 300mm Ig.	1
<b>PW-10N</b>	Adjustable Pipe Wrench 250mm Ig.	1
<b>PW-18N</b>	Adjustable Pipe Wrench 450mm Ig.	1
<b>2BH</b>	(-)Screw Driver 50mm Ig. Shank	1
<b>4BH</b>	(-)Screw Driver 100mm Ig. Shank	1
<b>6BH</b>	(-)Screw Driver 150mm Ig. Shank	1
<b>No.1B</b>	(+)Screw Driver 75mm Ig. Shank	1
<b>No.2B</b>	(+)Screw Driver 100mm Ig. Shank	1
<b>No.3B</b>	(+)Screw Driver 150mm Ig. Shank	1
<b>1200</b>	(-)Stubby Screw Driver Plastic 85mm Ig.	1
<b>1201</b>	(+)Stubby Screw Driver Plastic 85mm Ig.	1
<b>1202</b>	(+)Stubby Screw Driver Plastic 85mm Ig.	1
<b>8Y</b>	Integral Handle Screw Driver 360mm Ig.	1
<b>10Y</b>	Integral Handle Screw Driver 410mm Ig.	1
<b>BH-24</b>	Ball Peen Hammer 650g	1
<b>TH-842</b>	Test Hammer 200g	1
<b>PH-2</b>	Plastic Hammer 420g	1
<b>CH-48</b>	Copper Hammer 1,300g	1
<b>CP-10</b>	Cotter Pin Puller	1
<b>F-150S</b>	Needle File Set, 5pcs./Set, 150mm Ig.	1
<b>768</b>	Wire Brush	1
<b>SB-19</b>	Scraper Blade	1
<b>120B</b>	Garage Lamp w/o Bulb	1
<b>C-5</b>	Flat Chisel 25mm wd. blade, 190mm Ig.	1
<b>C-29</b>	Pin Punch 180mm Ig.	1
<b>C-20</b>	Center Punch 130mm Ig.	1
<b>F-250S</b>	Engineer's File Set 5pcs./Set, 250mm	1
<b>EC-1</b>	Electrolyte Funnel	1
<b>F-301</b>	Pistol Oiler	1
<b>TB601N</b>	Tool Case 750×470×420mm	1

# HAND TOOLS AND MISCELLANEOUS

## TOOL STAND SET (62pcs.)



Model	TSS-50
-------	--------

Net weight 20kg

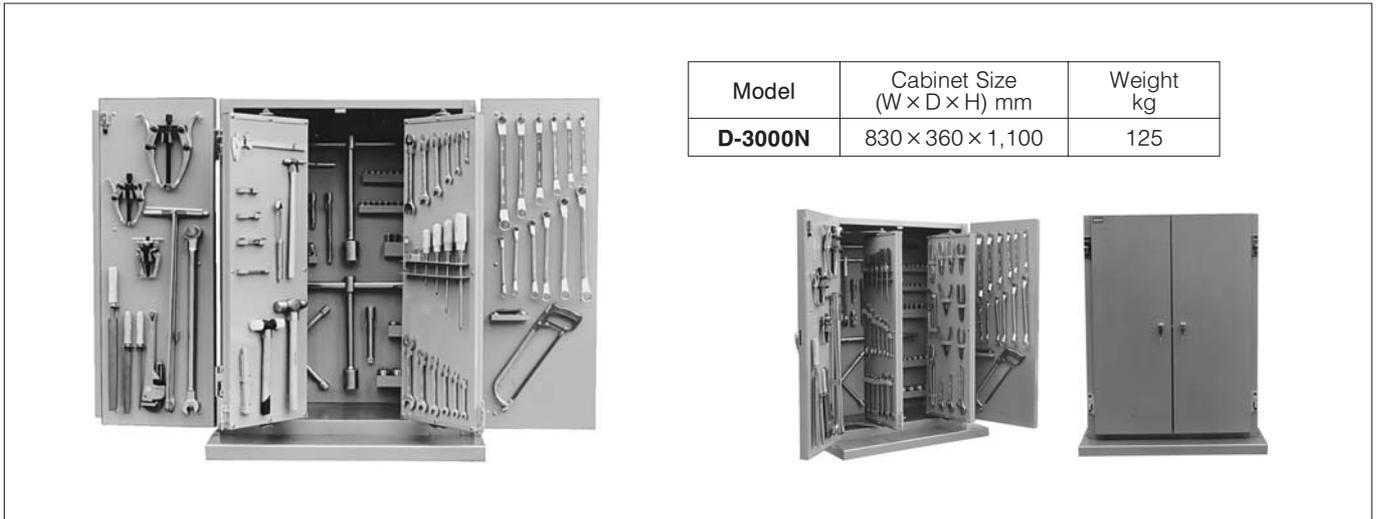
### • Set Contents (TSS-50) :

Model	Set Contents	Remarks
<b>SM-0810</b>	Open End Wrench	8 × 10mm
<b>SM-1012</b>	Open End Wrench	10 × 12mm
<b>SM-1214</b>	Open End Wrench	12 × 14mm
<b>SM-1417</b>	Open End Wrench	14 × 17mm
<b>SM-1719</b>	Open End Wrench	17 × 19mm
<b>SM-2224</b>	Open End Wrench	22 × 24mm
<b>ML-0810</b>	45° Off Set Box Wrench	8 × 10mm
<b>ML-1012</b>	45° Off Set Box Wrench	10 × 12mm
<b>ML-1214</b>	45° Off Set Box Wrench	12 × 14mm
<b>ML-1417</b>	45° Off Set Box Wrench	14 × 17mm
<b>ML-1921</b>	45° Off Set Box Wrench	19 × 21mm
<b>ML-2224</b>	45° Off Set Box Wrench	22 × 24mm
<b>4E08</b>	½" 12 Point Socket	8mm
<b>4E10</b>	½" 12 Point Socket	10mm
<b>4E11</b>	½" 12 Point Socket	11mm
<b>4E12</b>	½" 12 Point Socket	12mm
<b>4E13</b>	½" 12 Point Socket	13mm
<b>4E14</b>	½" 12 Point Socket	14mm
<b>4E17</b>	½" 12 Point Socket	17mm
<b>4E19</b>	½" 12 Point Socket	19mm
<b>4E22</b>	½" 12 Point Socket	22mm
<b>4E24</b>	½" 12 Point Socket	24mm
<b>4E27</b>	½" 12 Point Socket	27mm
<b>4E30</b>	½" 12 Point Socket	30mm
<b>4E32</b>	½" 12 Point Socket	32mm
<b>RH-410</b>	Ratchet Handle	250mm
<b>NS-415</b>	Flex Handle	380mm
<b>UJ-4</b>	Universal Joint	
<b>E-402</b>	Extension Bar	50mm
<b>E-405</b>	-Do-	125mm
<b>6300-3</b>	Insulated Handle Screw Driver Blade	(-)5.5 × 75mm
<b>6300-4</b>	Insulated Handle Screw Driver Blade	(-)6.0 × 100mm

Model	Set Contents	Remarks
<b>6300-6</b>	Insulated Handle Screw Driver Blade	(-)8.0 × 150mm
<b>6100-8</b>	Insulated Handle Screw Driver Blade	(-)4.0 × 200mm
<b>6300-No.1</b>	Insulated Handle Screw Driver Blade	(+)No.1 × 75mm
<b>6300-No.2</b>	Insulated Handle Screw Driver Blade	(+)No.2 × 100mm
<b>6300-No.3</b>	Insulated Handle Screw Driver Blade	(+)No.3 × 150mm
<b>6200</b>	Stubby Screw Driver	(-)6 × 86mm
<b>6202</b>	Stubby Screw Driver	(+)No.2 × 86mm
<b>6Y</b>	Integral Handle Driver	360mm
<b>6700-5</b>	Plastic Handle Nut Driver	5.0mm
<b>6700-5.5</b>	Plastic Handle Nut Driver	5.5mm
<b>6700-6</b>	Plastic Handle Nut Driver	6mm
<b>6700-7</b>	Plastic Handle Nut Driver	7mm
<b>6700-8</b>	Plastic Handle Nut Driver	8mm
<b>6700-10</b>	Plastic Handle Nut Driver	10mm
<b>6700-12</b>	Plastic Handle Nut Driver	12mm
<b>H-28</b>	Combination Plier	200mm
<b>M-26</b>	Long Nose Plier	166mm
<b>No.205A</b>	Diagonal Cutting Plier	150mm
<b>CT-7</b>	Cutting Plier	175mm
<b>MG-210</b>	Water Pump Plier	250mm
<b>BS-12</b>	Adjustable Wrench	300mm
<b>PW-12N</b>	Adjustable Pipe Wrench	300mm
<b>BH-16</b>	Ball Peen Hammer, 450g	317mm
<b>PH-2</b>	Plastic Hammer, 450g	290mm
<b>RSS-175</b>	Outside Snap-Ring Plier, Streight	
<b>RHS-175</b>	Inside Snap-Ring Plier, Streight	
<b>TUG-118</b>	Thickness/Plug Gap Gauge	
<b>SR-19</b>	Scraper Blade	
<b>FM-1012</b>	Flare Nut Wrench	10 × 12mm
<b>FM-1214</b>	-Do-	12 × 14mm
<b>TS-50</b>	Tool Stand	

※Net Weight: 20kg

**DELUXE TOOL CABINET SET (143pcs.)**



Model	Cabinet Size (W × D × H) mm	Weight kg
<b>D-3000N</b>	830 × 360 × 1,100	125

• Set Contents (D-3000N) :

Model	Set Contents	Remarks	Model	Set Contents	Remarks	Model	Set Contents	Remarks
<b>No.26</b>	Thickness Gauge		<b>UB-2326</b>	U-Bolt Nut Wrench,	23 × 26mm	<b>CRB-10</b>	Cross Bar	
<b>BAG-32C</b>	Brake Adjusting Gauge		<b>T-20</b>	Battery Terminal & Gear Puller		<b>E-405</b>	Extension Bar,	125mm
<b>315</b>	Screw Pitch Gauge		<b>T-24</b>	Gear Puller,	0-110mm	<b>SM-0810</b>	Open End Wrench,	8 × 10mm
<b>4F 12</b>	1/2" square 12 points Socket,	3/8"	<b>T-26</b>	Gear Puller,	0-170mm	<b>SM-1012</b>	Open End Wrench,	10 × 12mm
<b>4F14</b>	1/2" square 12 points Socket,	7/16"	<b>80H</b>	Spark Test Screw Driver		<b>SM-1214</b>	Open End Wrench,	12 × 14mm
<b>4F16</b>	1/2" square 12 points Socket,	1/2"	<b>GF</b>	Bar Type Tire Pressure Gauge		<b>SM-1417</b>	Open End Wrench,	14 × 17mm
<b>4F18</b>	1/2" square 12 points Socket,	9/16"	<b>V-12</b>	Hack Saw Frame		<b>SM-1719</b>	Open End Wrench,	17 × 19mm
<b>4F19</b>	1/2" square 12 points Socket,	19/32"		Needle File Set		<b>SM-2224</b>	Open End Wrench,	22 × 24mm
<b>4F20</b>	1/2" square 12 points Socket,	5/8"	<b>PW-14N</b>	Adjustable Pipe Wrench,	350mm	<b>S-0810</b>	Open End Wrench,	3/4 × 5 1/16"
<b>4F22</b>	1/2" square 12 points Socket,	11/16"	<b>BH-24</b>	Ball Peen Hammer, 650g		<b>S-1214</b>	Open End Wrench,	3/8 × 7 1/16"
<b>4F24</b>	1/2" square 12 points Socket,	3/4"	<b>TH-438</b>	Test Hammer, 100g		<b>S-1618</b>	Open End Wrench,	1/2 × 9 1/16"
<b>4F25</b>	1/2" square 12 points Socket,	25/32"	<b>PH-2</b>	Plastic Hammer, 450g		<b>S-2022</b>	Open End Wrench,	5/8 × 11 1/16"
<b>4F26</b>	1/2" square 12 points Socket,	13/16"	<b>E410</b>	Extension Bar,	250mm	<b>S-2426</b>	Open End Wrench,	3/4 × 13 1/16"
<b>4F28</b>	1/2" square 12 points Socket,	7/8"	<b>UJ-4</b>	Universal Joint		<b>S-2830</b>	Open End Wrench,	7/8 × 15 1/16"
<b>4F30</b>	1/2" square 12 points Socket,	15/16"	<b>6E19</b>	3/4" square 12 points Socket,	19mm	<b>TM-10</b>	Tappet Wrench,	10 × 12mm
<b>4F32</b>	1/2" square 12 points Socket,	1"	<b>6E22</b>	3/4" square 12 points Socket,	22m	<b>TM-12</b>	Tappet Wrench,	12 × 14mm
<b>RH-410</b>	Ratchet, 1/2" square		<b>6E24</b>	3/4" square 12 points Socket,	24m	<b>TM-17</b>	Tappet Wrench,	17 × 19mm
<b>NS-415</b>	Flex Handle, 1/2" square		<b>6E27</b>	3/4" square 12 points Socket,	27m	<b>T-32HMF</b>	Wheel Nut Wrench,	41 × 21mm
<b>CRB-10</b>	Cross Bar		<b>6E30</b>	3/4" square 12 points Socket,	30m	<b>T-126M</b>	Cross Rim Wrench	17 × 19 × 21 × 23mm
<b>E-405</b>	Extension Bar, 1/2" square	125mm	<b>6E32</b>	3/4" square 12 points Socket,	32m	-	Plastic Handle Screw Driver	(-) × 50mm
<b>4G14</b>	1/2" square Deep, Socket	14mm	<b>6E36</b>	3/4" square 12 points Socket,	36m	-	Plastic Handle Screw Driver	(-) × 75mm
<b>4G17</b>	1/2" square Deep, Socket	17mm	<b>6E38</b>	3/4" square 12 points Socket,	38m	-	Plastic Handle Screw Driver	(-) × 100mm
<b>4G19</b>	1/2" square Deep, Socket	19mm	<b>6E41</b>	3/4" square 12 points Socket,	41m	-	Plastic Handle Screw Driver	(-) × 125mm
<b>4G21</b>	1/2" square Deep, Socket	21mm	<b>6E46</b>	3/4" square 12 points Socket,	46m	-	Plastic Handle Screw Driver	(-) × 150mm
<b>4G23</b>	1/2" square Deep, Socket	23mm	<b>6E50</b>	3/4" square 12 points Socket,	50m	-	Wood Handle Screw Driver	(+) × No.1
<b>4G26</b>	1/2" square Deep, Socket	26mm	<b>RH-622</b>	Ratchet, 3/4" square		-	Wood Handle Screw Driver	(+) × No.2
<b>4G29</b>	1/2" square Deep, Socket	29mm	<b>UJ-6</b>	Universal Joint, 3/4" square		-	Wood Handle Screw Driver	(+) × No.3
<b>MS-1012</b>	45° Double Offset Box Wrench, Short,	10 × 12mm	<b>NS-618</b>	Flex Handle, 3/4" square		-	Wood Handle Screw Driver	(+) × No.4
<b>MS-1417</b>	45° Double Offset Box Wrench, Short,	14 × 17mm	<b>E-603</b>	Extension Bar, 3/4" square	75mm	<b>H-26</b>	Combination Plier,	150mm
<b>ML-1012</b>	45° Double Offset Box Wrench, Long,	10 × 12mm	<b>E-608</b>	Extension Bar, 3/4" square	200mm	<b>H-26</b>	Combination Plier	200mm
<b>ML-1214</b>	45° Double Offset Box Wrench, Long,	12 × 14mm	<b>DR-70301</b>	Folding Type Hexagon Wrench Set		<b>M-26</b>	Long Nose Plier,	166mm
<b>ML-1417</b>	45° Double Offset Box Wrench, Long,	14 × 17mm	<b>T-32TN</b>	Wheel Nut Wrench,	38 × 20mm	<b>MG-210</b>	Water Pump Plier,	250mm
<b>ML-1719</b>	45° Double Offset Box Wrench, Long,	17 × 19mm	<b>SNW-10</b>	T-Type Flex Head Wrench	10mm	<b>BP-21</b>	Brake Spring Plier,	330mm
<b>ML-2123</b>	45° Double Offset Box Wrench, Long,	21 × 23mm	<b>SNW-12</b>	T-Type Flex Head Wrench	12mm	<b>CT-7</b>	Cutting Plier,	175mm
<b>ML-2326</b>	45° Double Offset Box Wrench, Long,	23 × 26mm	<b>SNW-14</b>	T-Type Flex Head Wrench	14mm	<b>BS-6</b>	Adjustable Wrench,	150mm
<b>IL-1214</b>	45° Double Offset Box Wrench, Long,	3/8 × 7/16"	<b>WR-1</b>	Folding Type Measure,	1m	<b>BS-8</b>	Adjustable Wrench,	200mm
<b>IL-1618</b>	45° Double Offset Box Wrench, Long,	1/2 × 9/16"	<b>BSC-20</b>	Vernier Caliper,	200mm	<b>BS-10</b>	Adjustable Wrench,	250mm
<b>IL-2022</b>	45° Double Offset Box Wrench, Long,	5/8 × 11/16"	<b>4E9</b>	1/2" square 12 points Socket	9mm	<b>BRS-8</b>	Combination Wrench,	8mm
<b>IL-2425</b>	45° Double Offset Box Wrench, Long,	3/4 × 25/32"	<b>4E10</b>	1/2" square 12 points Socket	10mm	<b>BRS-10</b>	Combination Wrench,	10mm
<b>IL-2628</b>	45° Double Offset Box Wrench, Long,	13/16 × 7/8"	<b>4E12</b>	1/2" square 12 points Socket	12mm	<b>BRS-12</b>	Combination Wrench,	12mm
<b>IL-3032</b>	45° Double Offset Box Wrench, Long,	15/16 × 1"	<b>4E13</b>	1/2" square 12 points Socket	13mm	<b>BRS-14</b>	Combination Wrench,	14mm
			<b>4E14</b>	1/2" square 12 points Socket	14mm	<b>BRS-17</b>	Combination Wrench,	17mm
			<b>4E15</b>	1/2" square 12 points Socket	15mm	<b>BRS-19</b>	Combination Wrench,	19mm
			<b>4E16</b>	1/2" square 12 points Socket	16mm	<b>1200</b>	Stubby Driver,	(-)6 × 85mm
			<b>4E17</b>	1/2" square 12 points Socket	17mm	<b>1202</b>	Stubby Driver,	(+)No.2 × 85mm
			<b>4E18</b>	1/2" square 12 points Socket	18mm	<b>LC-6</b>	Chain Nose Cutting Plier,	150mm
			<b>4E19</b>	1/2" square 12 points Socket	19mm	<b>RSS-175</b>	Outside Snap-ring Plier, Straight Type	
			<b>4E21</b>	1/2" square 12 points Socket	21mm	<b>RSB-175</b>	-Do- Angle Type	
			<b>4E23</b>	1/2" square 12 points Socket	23mm	<b>No.205</b>	Diagonal Cutting Plier,	150mm
			<b>4E26</b>	1/2" square 12 points Socket	26mm			
			<b>RH-410</b>	Ratchet, Push Release				
			<b>NS-415</b>	Flex Handle				

## UNIVERSAL TOOL SET (59pcs.)



No.1000M (mm)

### Set Contents:

<b>SM-0810</b>	Open End Wrench,	8 × 10mm	<b>BH-16</b>	Ball Peen Hammer,	450g
<b>SM-1012</b>	Open End Wrench,	10 × 12mm	<b>H-28</b>	Combination Plier	
<b>SM-1214</b>	Open End Wrench,	12 × 14mm	<b>BS-8</b>	Adjustable Wrench	
<b>SM-1417</b>	Open End Wrench,	14 × 17mm	<b>3BH</b>	Wood Handle Driver	(-) × 75mm
<b>SM-1719</b>	Open End Wrench,	17 × 19mm	<b>6BH</b>	Wood Handle Driver	(-) × 150mm
<b>SM-2224</b>	Open End Wrench,	22 × 24mm	<b>8BH</b>	Wood Handle Driver	(-) × 200mm
<b>ML-1012</b>	Double Offset Box Wrench, 45°	10 × 12mm	<b>No.1B</b>	Wood Handle Driver	(+) × No.1
<b>ML-1214</b>	Double Offset Box Wrench, 45°	12 × 14mm	<b>No.2B</b>	Wood Handle Driver	(+) × No.2
<b>ML-1417</b>	Double Offset Box Wrench, 45°	14 × 17mm	<b>No.3B</b>	Wood Handle Driver	(+) × No.3
<b>ML-1719</b>	Double Offset Box Wrench, 45°	17 × 19mm	<b>80H</b>	Spark Test Screw Driver	
<b>ML-2123</b>	Double Offset Box Wrench, 45°	21 × 23mm	<b>CT-8</b>	Cutting Plier,	200mm
<b>ML-2326</b>	Double Offset Box Wrench, 45°	23 × 26mm	<b>PW-1012</b>	Plug Wrench,	10 × 12mm
<b>BT-65M</b>	Ignition Wrench Set		<b>PW-1418</b>	Plug Wrench,	14 × 18mm
<b>172MA</b>	Thickness Gauge		<b>WR-1</b>	Folding Type Measure,	1m
<b>4E09</b>	1/2" square 12 points Socket,	9mm	<b>C-1</b>	Flat Chisel	
<b>4E10</b>	1/2" square 12 points Socket,	10mm	<b>C-20</b>	Center Punch	
<b>4E12</b>	1/2" square 12 points Socket,	12mm	<b>PO-10</b>	Pistol Oiler	
<b>4E13</b>	1/2" square 12 points Socket,	13mm	<b>100C-2</b>	Inspection Lamp	
<b>4E14</b>	1/2" square 12 points Socket,	14mm	<b>TB-80N</b>	Tool Box	
<b>4E15</b>	1/2" square 12 points Socket,	15mm			
<b>4E16</b>	1/2" square 12 points Socket,	16mm			
<b>4E17</b>	1/2" square 12 points Socket,	17mm			
<b>4E18</b>	1/2" square 12 points Socket,	18mm			
<b>4E19</b>	1/2" square 12 points Socket,	19mm			
<b>4E21</b>	1/2" square 12 points Socket,	21mm			
<b>4E23</b>	1/2" square 12 points Socket,	23mm			
<b>4E26</b>	1/2" square 12 points Socket,	26mm			
<b>RH-410</b>	Ratchet, 1/2" square				
<b>NS-415</b>	Flex Handle, 1/2" square				
<b>CRB-10</b>	Cross Bar, 1/2" square				
<b>E-405</b>	Extension Bar, 1/2" square	125mm			

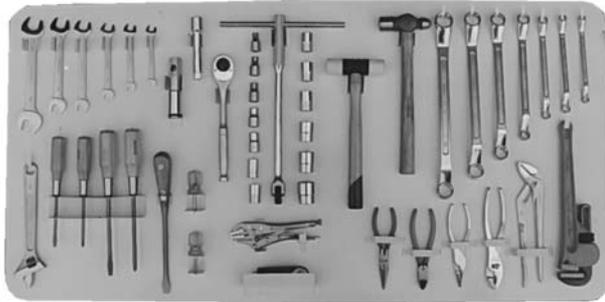
### Case Size:

535(L) × 215(W) × 185(H)mm

### Weight:

Approx. 13kg

## TOOL BOARD SET (50pcs.)



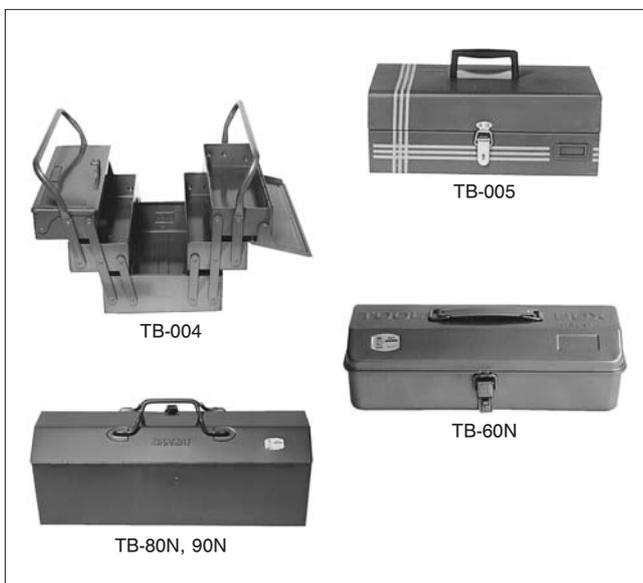
Model	Board Size mm	Weight kg
<b>SS-5N</b>	605 × 1,219	21

• Set Contents:

Model	Description	Remarks
<b>4E09</b>	1/2" square 12 points Socket,	9mm
<b>4E10</b>	1/2" square 12 points Socket,	10mm
<b>4E12</b>	1/2" square 12 points Socket,	12mm
<b>4E13</b>	1/2" square 12 points Socket,	13mm
<b>4E14</b>	1/2" square 12 points Socket,	14mm
<b>4E15</b>	1/2" square 12 points Socket,	15mm
<b>4E16</b>	1/2" square 12 points Socket,	16mm
<b>4E17</b>	1/2" square 12 points Socket,	17mm
<b>4E18</b>	1/2" square 12 points Socket,	18mm
<b>4E19</b>	1/2" square 12 points Socket,	19mm
<b>4E21</b>	1/2" square 12 points Socket,	21mm
<b>4E23</b>	1/2" square 12 points Socket,	23mm
<b>4E26</b>	1/2" square 12 points Socket,	26mm
<b>RH-410</b>	Ratchet, 1/2" square	
<b>NS-415</b>	Flex Handle, 1/2" square	
<b>CRB-10</b>	Cross Bar	
<b>E-405</b>	Extension Bar, 1/2" square	125mm
<b>SM-0810</b>	Open End Wrench,	8 × 10mm
<b>SM-1012</b>	Open End Wrench,	10 × 12mm
<b>SM-1214</b>	Open End Wrench,	12 × 14mm
<b>SM-1417</b>	Open End Wrench,	14 × 17mm
<b>SM-1719</b>	Open End Wrench,	17 × 19mm
<b>SM-2224</b>	Open End Wrench,	22 × 24mm
<b>ML-0809</b>	Double Offset Box Wrench, 45°	8 × 10mm
<b>ML-1012</b>	Double Offset Box Wrench, 45°	10 × 12mm
<b>ML-1113</b>	Double Offset Box Wrench, 45°	11 × 13mm

Model	Description	Remarks
<b>ML-1417</b>	Double Offset Box Wrench, 45°	14 × 17mm
<b>ML-1921</b>	Double Offset Box Wrench, 45°	19 × 21mm
<b>ML-2224</b>	Double Offset Box Wrench, 45°	22 × 24mm
<b>ML-2326</b>	Double Offset Box Wrench, 45°	23 × 26mm
<b>BH-16</b>	Ball Peen Hammer,	450g
<b>PW-14N</b>	Adjustable Pipe Wrench	
<b>BS-10</b>	Adjustable Wrench,	250mm
<b>H-28</b>	Combination Plier,	200mm
<b>M-26</b>	Long Nose Plier,	166mm
<b>MG-210</b>	Water Pump Plier,	250mm
<b>VG-7N</b>	Vice Grip Plier	
<b>No.205A</b>	Diagonal Cutting Plier	
<b>4BH</b>	Wood Handle Screw Driver	(-)6 × 100mm
<b>6BH</b>	Wood Handle Screw Driver	(-)8 × 150mm
<b>No.2B</b>	Wood Handle Screw Driver	(+)No.2 × 100mm
<b>No.3B</b>	Wood Handle Screw Driver	(+)No.3 × 150mm
<b>6Y</b>	Integral Handle Driver	
<b>PH-2</b>	Plastic Hammer,	450g
<b>4P-14N</b>	Spark Plug Socket,	M14
<b>LC-6</b>	Long Nose Cutting Plier	
<b>1200</b>	Stubby Screw Driver	(-)6 × 85mm
<b>1202</b>	Stubby Screw Driver	(+)No.2 × 85mm
<b>DR-70301</b>	Holding Type Hexagon Wrench Set	
<b>SS-5-2</b>	Tool Board	

## HEAVY DUTY TOOL BOX



Model	L × W × H mm	Note
<b>TB-004</b>	270 × 470 × 320	Tow-side Handle
<b>TB-005</b>	380 × 200 × 140	Basket Type, W/Interior Tray
<b>TB-60N</b>	368 × 150 × 100	Small Gable Roof, One-side Hinge
<b>TB-80N</b>	530 × 200 × 190	Gable Roof, Two-side Hinge, With Interior Tray
<b>TB-90N</b>	450 × 200 × 190	- do. -

# HAND TOOLS AND MISCELLANEOUS

## TOOL STAND



Model	Stand Size (L × W × H) mm	Weight kg	Note
<b>TS-30</b> <b>TS-31</b>	530 × 395 × 800 650 × 440 × 860	14 18	Rubber Caster
<b>TS-34</b>	620 × 460 × 800	14	Detachable Tray
<b>TS-50</b>	758 × 510 × 835	19	With Tool Hanger
<b>RC-102NB</b> <b>RC-101NB</b>	660 × 342 × 795 660 × 342 × 895	11.8 13.5	3-Tray 4-Tray

## WORK BENCH



Model	Bench Size (L × D × H) mm	Weight kg
<b>T-1000</b>	1,780 × 600 × 750 (Drawer × 2)	85

## PORTABLE WORK BENCH



Model	Bench Size (L × D × H) mm	Weight kg
<b>CM-31</b>	500 × 700 × 930	56

## MECHANICAL BENCH

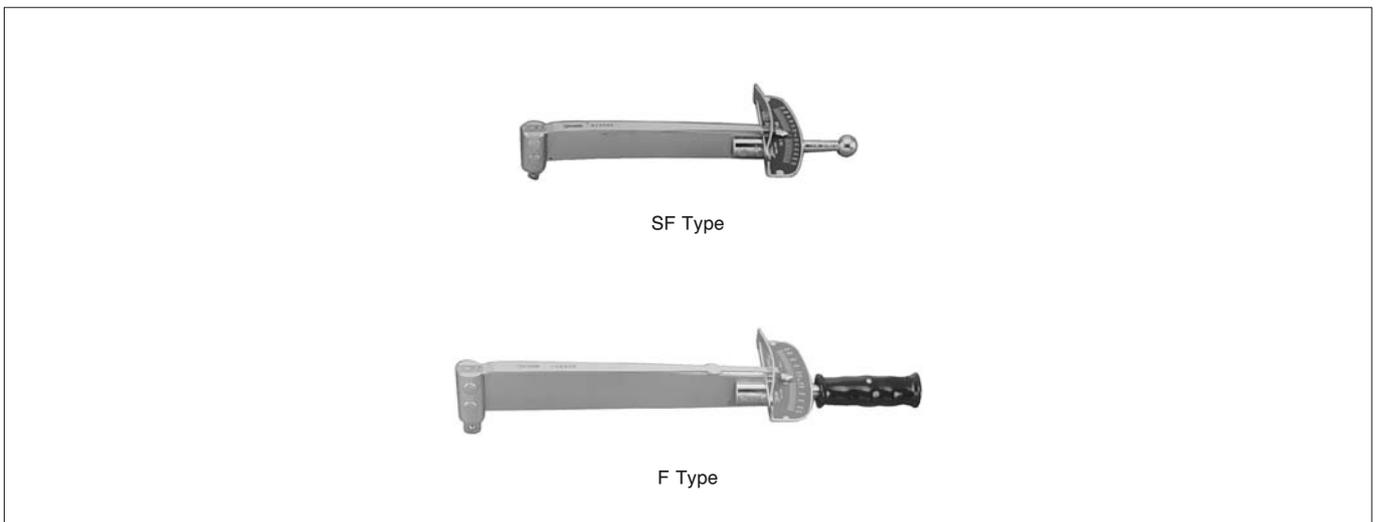


Top Side of the Bench has slope to collect the oil and drain into the oil container of this bench.

Model	Bench Size (L×W×H) mm	Drawer	Weight kg
<b>MB-12</b>	1,200×800×800	3	80
<b>MB-18</b>	1,800×800×800	4	120

## TORQUE WRENCH

- SF/F-Type



Model	Graduations Min. – Max. to Either Side	Graduation Unit	Overall Length mm	Square Drive mm
<b>SF40CN</b>	cN – m 8 – 40	cN – m 2	110	6.35
<b>SF70CN</b>	10 – 70		130	
<b>SF1.5N</b>	N – m 0.2 – 1.5	N – m 0.05	140	
<b>SF3N</b>	0.5 – 3	0.1	170	
<b>SF6N</b>	0.6 – 6	0.2	200	
<b>SF12N</b>	2 – 12	0.5	225	
<b>F23N</b>	3 – 23		295	9.5
<b>F46N</b>	5 – 46	1	355	
<b>F92N</b>	10 – 92	2	400	12.7
<b>F130N</b>	20 – 130		445	
<b>F190N</b>	30 – 190	5	490	
<b>F280N</b>	50 – 280		565	19.0
<b>F420N</b>	70 – 240	10	820	
<b>F560N</b>	100 – 560		945	
<b>F700N</b>	100 – 700	20	1,175	
<b>F850N</b>	100 – 850		1,410	25.4
<b>F1000N</b>	100 – 1000		1,640	

## TORQUE WRENCH

### • QF-Type



Model	Graduations Min. – Max. to Either Side	Graduation Unit	Overall Length mm	Square Drive mm
<b>QF60N</b>	N – m 6 – 60	N – m 1	455	9.5
<b>QF120N</b>	10 – 120	2	515	12.7
<b>QF220N</b>	30 – 220	5	580	
<b>QF320N</b>	40 – 320		830	19.0
<b>QF420N</b>	70 – 420			
<b>QF560N</b>	100 – 560	10	950	
<b>QF700N</b>	100 – 700		1,165	
<b>QF850N</b>	100 – 850	20	1,400	25.4

### • DB/DBE-Type



Model	Graduations Min. – Max. to Either Side	Graduation Unit	Overall Length mm	Square Drive mm
<b>DB1.5N</b>	N – m 0.2 – 1.5	N – m 0.02	225	6.35
<b>DB3N</b>	0.3 – 3	0.05		
<b>DB6N</b>	0.6 – 6	0.1	230	
<b>DB12N</b>	1 – 12	0.2		
<b>DB25N</b>	3 – 25	0.5	245	9.5
<b>DB50N</b>	5 – 50		320	
<b>DB100N</b>	10 – 100	1	400	12.7
<b>DB200N</b>	20 – 200	2	500	
<b>DB280N</b>	30 – 280	5	690	19
<b>DB420N</b>	40 – 420		890	
<b>DBE560N</b>	50 – 560		1,100	
<b>DBE700N</b>	70 – 700	10	1,260	25.4
<b>DBE850N</b>	100 – 850		1,360	
<b>DBE1000N</b>	100 – 1000		1,490	
<b>DBE1400N</b>	200 – 1400	20	1,740	38.1
<b>DBE2100N</b>	200 – 2100		2,140	
<b>DBE2800N</b>	300 – 2800	50	2,380	38.1
<b>DBE4500N</b>	500 – 4500		1,285	
<b>DBE6000N</b>	600 – 6000		1,585	

## TORQUE WRENCH

### • CEM2-Type



Model	Graduations Min. – Max. to Either Side	1 digit	Overall Length mm	Head, Replacable mm (option)
<b>CEM9N2 × 8D</b>	N – m 1.8 – 9	N – m 0.01	294	0.67
<b>CEM18N2 × 10D</b>	3.6 – 18	0.02	296	
<b>CEM45N2 × 12D</b>	9 – 45	0.05	337	0.74
<b>CEM90N2 × 15D</b>	18 – 90	0.1	410	0.84
<b>CEM180N2 × 19D</b>	36 – 180	0.2	477	1.1
<b>CEM360N2 × 22D</b>	72 – 360	0.4	720	1.6
<b>CEM500N2 × 22D</b>	100 – 500	1.0	907	4.0
<b>CEM850N2 × 32D</b>	170 – 850		1,351	5.5

### • DQL/DQLE-Type



Model	Graduations Min. – Max. to Either Side	Graduation Unit	Overall Length mm	Square Drive mm
<b>DQL200N</b>	N – m 40 – 200	N – m 2	475	12.7
<b>DQL280N</b>	40 – 280		675	
<b>DQLE550N</b>	100 – 550	5	1,190	19.0
<b>DQLE750N</b>	100 – 750		1,365	
<b>DQLE1000N</b>	100 – 1000		1,535	25.4

### • WQL-Type



Model	Angle		Graduations Min. – Max. to Either Side	Graduation Unit	Overall Length mm	Square Drive mm
	Max.	Min.				
<b>WQL50N</b>	360°	2°	N – m 10 – 50	N – m 0.5	260	9.5
<b>WQL100N</b>			20 – 90	1	345	
<b>WQL200N</b>			40 – 180	2	495	12.7
<b>WQL280N</b>			40 – 280		695	
<b>WQL420N</b>			60 – 420	3	975	19.0

## TORQUE WRENCH

- QL/QLE-Type



Model	Graduations Min. – Max. to Either Side	Graduation Unit	Overall Length mm	Square Drive mm
<b>QL1.5N</b>	N – m 0.5 – 1.5	N – m 0.05	175	6.35
<b>QL3N</b>	1 – 3			
<b>QL6N</b>	2 – 6			
<b>QL12N</b>	4 – 12	0.2	185	9.5
<b>QL25N</b>	5 – 25	0.25	220	
<b>QL50N</b>	10 – 50	0.5	260	
<b>QL100N</b>	20 – 100	1.0	340	12.7
<b>QL140N</b>	30 – 140		400	
<b>QL200N</b>	40 – 200		495	
<b>QL280N</b>	40 – 280	2.0	695	19.0
<b>QL420N</b>	60 – 420		975	
<b>QLE550N</b>	100 – 550		1,190	
<b>QLE750N</b>	100 – 750	5	1,365	25.4
<b>QLE1000N</b>	100 – 1000		1,535	
<b>QLE1400N</b>	200 – 1400		10	
<b>QLE2100N</b>	500 – 2100	20	1,950	

- QSP-Type



Model	Graduations Min. – Max. to Either Side	Overall Length mm	Square Drive mm
<b>QSP1.5N</b>	N – m 0.5 – 1.5	165	6.35
<b>QSP3N</b>	1 – 3		
<b>QSP6N</b>	2 – 6		
<b>QSP12N</b>	4 – 12	175	9.5
<b>QSP25N</b>	5 – 25	215	
<b>QSP50N</b>	10 – 50	250	
<b>QSP100N</b>	20 – 100	330	12.7
<b>QSP140N</b>	40 – 140	385	
<b>QSP200N</b>	40 – 200	470	
<b>QSP280N</b>	40 – 280	670	19.0
<b>QSP420N</b>	60 – 420	970	

# TORQUE WRENCH

• SP/RSP-Type



Model	Graduations Min. – Max. to Either Side	Head W × D mm	Overall Length mm
<b>SP2N × 5.5</b>	N – m 0.4 – 2	23 × 5	180
<b>SP2N × 7</b>	0.4 – 2	23 × 5	180
<b>SP8N × 7</b>	1.5 – 8	23 × 5	180
<b>SP2N × 8</b>	0.4 – 2	23 × 5	180
<b>SP8N × 8</b>	1.5 – 8	23 × 5	180
<b>RSP8N × 8</b>	2 – 9	16 × 9	205
<b>RSP19N × 8</b>	4 – 21	16 × 9	235
<b>SP38N × 8</b>	8 – 38	31 × 8	255
<b>SP8N × 9</b>	1.5 – 8	23 × 5	180
<b>SP38N × 9</b>	8 – 38	31 × 8	255
<b>SP8N × 10</b>	1.5 – 8	23 × 5	180
<b>RSP8N × 10</b>	2 – 9	16 × 9	205
<b>SP19N × 10</b>	3.5 – 19	27 × 6.5	210
<b>RSP19N × 10</b>	4 – 21	16 × 9	235
<b>SP19N-1 × 10</b>	3.5 – 19	24 × 12	215
<b>SP19N-2 × 10</b>	3.5 – 19	24 × 20	215
<b>SP19N-3 × 10</b>	3.5 – 19	24 × 15	215
<b>SP38N × 10</b>	8 – 38	31 × 8	255
<b>RSP38N × 10</b>	9 – 42	21.5 × 10	280
<b>SP38N-1 × 10</b>	8 – 38	24 × 12	250
<b>SP38N-2 × 10</b>	8 – 38	24 × 20	250
<b>SP38N-3 × 10</b>	8 – 38	24 × 15	250
<b>SP8N × 12</b>	1.5 – 8	25 × 5.5	180
<b>SP19N × 12</b>	3.5 – 19	30 × 6.5	210
<b>SP38N × 12</b>	8 – 38	35 × 8	255
<b>RSP38N × 12</b>	9 – 42	21.5 × 10	280
<b>SP2N × 13</b>	0.4 – 2	25 × 5.5	180
<b>SP19N × 13</b>	3.5 – 19	30 × 6.5	210
<b>RSP19N × 13</b>	4 – 21	22 × 9	235
<b>SP38N × 13</b>	8 – 38	35 × 8	255
<b>RSP38N × 13</b>	9 – 42	21.5 × 10	280
<b>SP19N × 14</b>	3.5 – 19	30 × 6.5	210
<b>SP38N × 14</b>	8 – 38	35 × 8	255
<b>RSP38N × 14</b>	9 – 42	1.5 × 10	280
<b>SP67N × 14</b>	13 – 67	45 × 10	325
<b>RSP67N × 14</b>	14 – 73	25.5 × 12	350
<b>SP120N × 14</b>	24 – 120	45 × 11	395
<b>SP38N × 16</b>	8 – 38	38 × 8	255
<b>RSP38N × 16</b>	9 – 42	32 × 10	280
<b>SP67N × 16</b>	13 – 67	45 × 10	325
<b>RSP67N × 16</b>	14 – 73	25.5 × 12	350
<b>SP2N × 17</b>	0.4 – 2	37 × 8	180
<b>SP19N × 17</b>	3.5 – 19	40 × 8	220
<b>SP38N × 17</b>	8 – 38	38 × 8	255
<b>RSP38N × 17</b>	9 – 42	32 × 10	280
<b>SP67N × 17</b>	13 – 67	45 × 10	325
<b>RSP67N × 17</b>	14 – 73	25.5 × 12	350
<b>SP120N × 17</b>	24 – 120	45 × 11	395
<b>RSP120N × 17</b>	25 – 127	28 × 13	420
<b>SP67N × 18</b>	13 – 67	45 × 10	325
<b>RSP67N × 18</b>	14 – 73	34 × 12	350
<b>SP120N × 18</b>	24 – 120	51 × 11	395
<b>RSP120N × 18</b>	25 – 127	28 × 13	420

Model	Graduations Min. – Max. to Either Side	Head W × D mm	Overall Length mm
<b>SP2N × 19</b>	N – m 0.4 – 2	37 × 8	180
<b>SP8N × 19</b>	1.5 – 8	37 × 8	180
<b>SP38N × 19</b>	8 – 38	45 × 8	265
<b>SP67N × 19</b>	13 – 67	45 × 10	325
<b>RSP67N × 19</b>	14 – 73	34 × 12	350
<b>SPI20N × 19</b>	24 – 120	51 × 11	395
<b>RSP120N × 19</b>	25 – 127	28 × 13	420
<b>SPI60N × 19</b>	30 – 160	52 × 13	445
<b>RSP160N × 19</b>	32 – 170	35 × 15.5	475
<b>SP220N × 19</b>	45 – 220	60 × 15	580
<b>SPI9N × 21</b>	3.5 – 19	40 × 8	220
<b>SP67N × 21</b>	13 – 67	45 × 10	325
<b>SPI20N × 21</b>	24 – 120	51 × 11	395
<b>RSP120N × 21</b>	25 – 127	28 × 13	420
<b>SP160N × 21</b>	30 – 160	52 × 13	445
<b>RSP160N × 21</b>	32 – 170	35 × 15.5	475
<b>SP38N × 22</b>	8 – 38	45 × 8	265
<b>SP67N × 22</b>	13 – 67	50 × 11	330
<b>SPI20N × 22</b>	24 – 120	51 × 11	395
<b>RSP120N × 22</b>	25 – 127	38 × 13	420
<b>SPI60N × 22</b>	30 – 160	56 × 13	445
<b>RSP160N × 22</b>	32 – 170	35 × 15.5	475
<b>SP220N × 22</b>	45 – 220	60 × 15	580
<b>RSP220N × 22</b>	48 – 230	40 × 16.5	620
<b>SP310N × 22</b>	65 – 310	66 × 16	660
<b>SPI20N × 23</b>	24 – 120	51 × 11	395
<b>SP8N × 24</b>	1.5 – 8	37 × 8	180
<b>SP38N × 24</b>	8 – 38	45 × 8	265
<b>SP67N × 24</b>	13 – 67	50 × 11	330
<b>SP120N × 24</b>	24 – 120	51 × 11	395
<b>SPI60N × 24</b>	30 – 160	56 × 13	445
<b>RSP160N × 24</b>	32 – 170	35 × 15.5	475
<b>SP220N × 24</b>	45 – 220	60 × 15	580
<b>RSP220N × 24</b>	48 – 230	40 × 16.5	620
<b>SP310N × 24</b>	65 – 310	66 × 16	660
<b>RSP310N × 24</b>	68 – 320	45 × 18	695
<b>SPI60N × 26</b>	30 – 160	56 × 13	445
<b>SP8N × 27</b>	1.5 – 8	37 × 8	180
<b>SP38N × 27</b>	8 – 38	45 × 8	265
<b>SP67N × 27</b>	13 – 67	50 × 11	330
<b>SPI20N × 27</b>	24 – 120	60 × 15	395
<b>SPI60N × 27</b>	30 – 160	56 × 13	445
<b>SP220N × 27</b>	45 – 220	60 × 15	580
<b>RSP220N × 27</b>	48 – 230	40 × 16.5	620
<b>SP310N × 27</b>	65 – 310	72 × 16	660
<b>RSP310N × 27</b>	68 – 320	45 × 18	695
<b>SP420N × 27</b>	90 – 420	73 × 18	840
<b>SP67N × 29</b>	13 – 67	59.5 × 11	335
<b>SP220N × 29</b>	45 – 220	65 × 15	580
<b>SP67N × 30</b>	13 – 67	9.5 × 11	335
<b>SP120N × 30</b>	24 – 120	60 × 15	395
<b>SP220N × 30</b>	45 – 220	72 × 15	590
<b>SP310N × 30</b>	65 – 310	72 × 16	660
<b>RSP310N × 30</b>	68 – 320	45 × 18	695
<b>SP420N × 30</b>	90 – 420	76 × 18	840
<b>SP560N × 30</b>	130 – 560	82 × 19	1000
<b>SP67N × 32</b>	13 – 67	59.5 × 11	335
<b>SP220N × 32</b>	45 – 220	72 × 16	590
<b>SP310N × 32</b>	65 – 310	72 × 16	660
<b>SP420N × 32</b>	90 – 420	78 × 18	840
<b>SP560N × 32</b>	130 – 560	82 × 19	1000
<b>SP67N × 33.3</b>	13 – 67	59.5 × 11	335
<b>SP220N × 34</b>	45 – 220	72 × 15	590
<b>SP420N × 34</b>	90 – 420	78 × 18	840
<b>SP220N × 35</b>	45 – 220	78 × 18	840
<b>SP220N × 36</b>	45 – 220	72 × 15	590
<b>SP420N × 36</b>	90 – 420	78 × 18	840
<b>SP560N × 36</b>	130 – 560	88 × 19	1000
<b>SP160N × 41</b>	30 – 160	80 × 15	465
<b>SP310N × 41</b>	65 – 310	85 × 16	680
<b>SP310N × 46</b>	65 – 310	93 × 15	680
<b>SP560N × 46</b>	130 – 560	110 × 19.5	1020
<b>SP560N × 55</b>	130 – 560	110 × 19.5	1020

## TORQUE WRENCH

### • CL/CLE-Type



Model	Graduations Min. – Max. to Either Side	Graduation Unit	Overall Length mm	Replacement Head mm
<b>CL1.5N × 8D</b>	N – m 0.5 – 1.5	N – m 0.05	155	8D
<b>CL3N × 8D</b>	1 – 3			
<b>CL6N × 8D</b>	2 – 6			
<b>CL12N × 8D</b>	4 – 12	0.1	165	
<b>CL25N × 10D</b>	5 – 25	0.2	200	10D
<b>CL50N × 12D</b>	10 – 50	0.25	230	12D
<b>CL50N × 15D</b>	10 – 50	0.5	235	15D
<b>CL100N × 15D</b>	20 – 100		310	
<b>CL140N × 15D</b>	30 – 140		370	
<b>CL200N × 19D</b>	40 – 200	1.0	455	19D
<b>CL280N × 22D</b>	40 – 280		655	22D
<b>CL420N × 22D</b>	60 – 420		925	
<b>CLE850N × 32D</b>	200 – 850	2.0	1,315	32D
<b>CLE1200N × 32D</b>	300 – 1200	5.0	1,480	
		10.0		

### • CSP-Type



Model	Graduations Min. – Max. to Either Side	Overall Length mm	Replacement Head (Option)
<b>CSP1.5N × 8D</b>	N-m 0.5 – 1.5	145	8D
<b>CSP3N × 8D</b>	1 – 3		
<b>CSP6N × 8D</b>	2 – 6		
<b>CSP12N × 8D</b>	4 – 12	155	
<b>CSP25N × 10D</b>	5 – 25	190	10D
<b>CSP50N × 12D</b>	10 – 50	220	12D
<b>CSP50N × 15D</b>	10 – 50	225	15D
<b>CSP100N × 15D</b>	20 – 100	300	
<b>CSP140N × 15D</b>	40 – 140	355	
<b>CSP200N × 19D</b>	40 – 200	430	19D
<b>CSP280N × 22D</b>	40 – 280	635	22D
<b>CSP420N × 22D</b>	60 – 420	920	

## TORQUE WRENCH

- CSF/CF-Type



Model	Graduations Min. – Max. to Either Side	Graduation Unit	Overall Length mm	Replacement Head (Option)
<b>CSF7N × 8D</b>	N-m 1 – 7	N-m 0.2	215	8D
<b>CSF14N × 8D</b>	2 – 14	0.5	240	
<b>CF25N × 10D</b>	5 – 25	1	320	10D
<b>CF50N × 12D</b>	10 – 50	2	380	12D
<b>CF100N × 15D</b>	10 – 100		430	15D
<b>CF150N × 19D</b>	20 – 150	5	480	19D
<b>CF230N × 22D</b>	30 – 230		525	22D
<b>CF420N × 22D</b>	70 – 420		715	
<b>CF850N × 32D</b>	100 – 850	20	1,260	32D

## TORQUE DRIVER



Model	Graduations Min. – Max. to Either Side	Graduation Unit	Overall Length mm	Bit	
				(+)	(-)
<b>FTD2CN – S</b>	cN-m 0.3 – 2	cN-m 0.05	152	Option	
<b>FTD5CN – S</b>	0.5 – 5	0.1			
<b>FTD10CN – S</b>	1 – 10	0.2			
<b>FTD20CN – S</b>	3 – 20	0.5			
<b>FTD50CN – S</b>	5 – 50	1	275		
<b>FTD100CN – S</b>	10 – 100	2			
<b>FTD200CN – S</b>	30 – 200	5			
<b>FTD400CN – S</b>	50 – 400	10			
<b>FTD8N2 – S</b>	N-m 1 – 8	N-m 0.2	330	#3	1 × 12
<b>FTD16N2 – S</b>	3 – 16	0.5			
<b>FTD50CN</b>	cN-m 10 – 50	cN-m 1	215	#1	0.7 × 7
<b>FTD100CN</b>	20 – 100	2			
<b>FTD200CN</b>	40 – 200	5	270	#2	0.9 × 7
<b>FTD400CN</b>	80 – 400	10			

## ATTACHED HEAD FOR TORQUE WRENCH

### • SH Open Head Type



Model	Capacity mm	Depth mm	Applicable For
SH8D × 5.5	13	3	CL6N, CSP6N, CSF7N, CL1.5N, CSP1.5N, CL12N, CSP12N, CSF14N, CL3N, CSP3N, CDB7N-S, CDB14N-S, CEM9N2
SH8D × 6	15	3.5	
SH8D × 7	17	4	
SH8D × 8	20	4.5	
SH8D × 10	25	5.5	
SH8D × 11	27		
SH8D × 12	29		
SH8D × 13	32	6.5	
SH8D × 14			
SH8D × 16			
SH8D × 17			
SH8D × 19			
SH8D × 24			
SH10D × 7	28	6.5	
SH10D × 8			
SH10D × 10			
SH10D × 11			
SH10D × 12			
SH10D × 13			
SH10D × 14	32	6.5	
SH10D × 16			
SH10D × 17			
SH10D × 18			
SH10D × 19			
SH10D × 21			
SH10D × 22	39	6.5	
SH12D × 8			
SH12D × 10			
SH12D × 11			
SH12D × 12			
SH12D × 13			
SH12D × 14	40	10	
SH12D × 16			
SH12D × 17			
SH12D × 18			
SH12D × 19			
SH12D × 21			
SH12D × 22	52	12	
SH15D × 12			
SH15D × 13			
SH15D × 14			
SH15D × 16			
SH15D × 17			
SH15D × 18	51	13	
SH15D × 19			
SH15D × 21			
SH15D × 22			
SH15D × 24			
SH15D × 26			
SH15D × 27	60	12	
SH15D × 30			
SH15D × 32			
SH19D × 17			
SH19D × 18			
SH19D × 19			
SH19D × 21	54	13	
SH19D × 22			
SH19D × 24			
SH19D × 27			
SH19D × 30			
SH19D × 32			
SH19D × 34	75	11	
SH19D × 36			
SH19D × 41			
SH22D × 19			
SH22D × 22			
SH22D × 24			
SH22D × 27	60	15	
SH22D × 30			
SH22D × 32			
SH22D × 34			
SH22D × 36			
SH22D × 41			
SH22D × 46	63	15	
SH32D × 27			
SH32D × 30			
SH32D × 32			
SH32D × 34			
SH32D × 36			
SH32D × 41	110	24	
SH32D × 46			
SH32D × 50			
SH32D × 55			
SH32D × 60			
SH32D × 60			

### • RH Box Rench Type



Model	Capacity mm	Depth mm	Applicable For
RH8D × 5.5	10.5	5	CL6N, CSP6N, CSF7N, CL1.5N, CSP1.5N, CL12N, CSP12N, CSF14N, CL3N, CSP3N, CDB7N-S, CDB14N-S, CEM9N2
RH8D × 6	11		
RH8D × 7	12	6	
RH8D × 8	13.5		
RH8D × 10	15.5	7	
RH8D × 11	17		
RH8D × 12	19		
RH8D × 13	17		
RH10D × 8			
RH10D × 10			
RH10D × 11			
RH10D × 12			
RH10D × 13			
RH10D × 14	22	8	
RH10D × 16			
RH10D × 17			
RH10D × 18			
RH10D × 19			
RH10D × 21			
RH10D × 22	37	8	
RH12D × 8			
RH12D × 10			
RH12D × 11			
RH12D × 12			
RH12D × 13			
RH12D × 14	20	6.5	
RH12D × 16			
RH12D × 17			
RH12D × 18			
RH12D × 19			
RH12D × 21			
RH12D × 22	30	13	
RH15D × 12			
RH15D × 13			
RH15D × 14			
RH15D × 16			
RH15D × 17			
RH15D × 18	31	13	
RH15D × 19			
RH15D × 21			
RH15D × 22			
RH15D × 24			
RH15D × 27			
RH15D × 30	41	13	
RH19D × 14			
RH19D × 17			
RH19D × 18			
RH19D × 19			
RH19D × 21			
RH19D × 22	32	15	
RH19D × 24			
RH19D × 27			
RH19D × 30			
RH19D × 32			
RH19D × 34			
RH19D × 36	55	17	
RH19D × 41			
RH22D × 19			
RH22D × 22			
RH22D × 24			
RH22D × 27			
RH22D × 30	45	17	
RH22D × 32			
RH22D × 34			
RH22D × 36			
RH22D × 41			
RH22D × 46			
RH32D × 27	55	18	
RH32D × 30			
RH32D × 32			
RH32D × 34			
RH32D × 36			
RH32D × 41			
RH32D × 46	65	24	
RH32D × 50			
RH32D × 55			
RH32D × 60			
RH32D × 60			
RH32D × 60			

## TORQUE METER



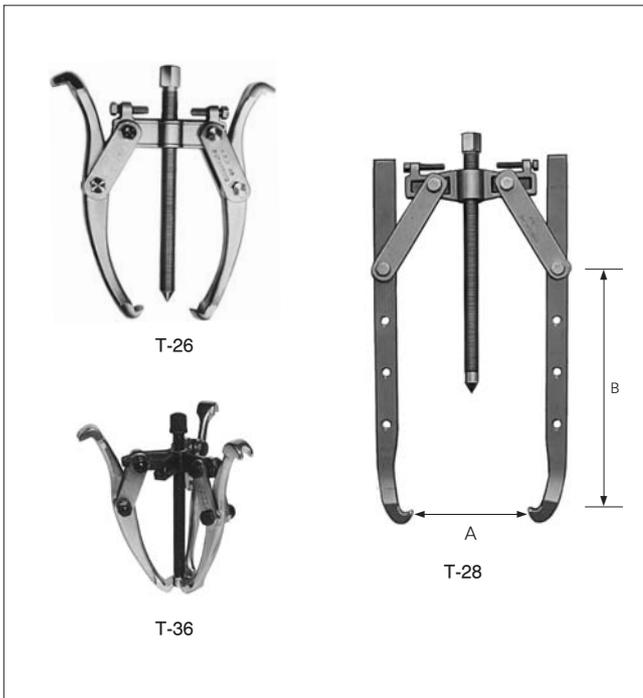
Model	Graduations Min. – Max. to Either Side	Graduation Unit	Cucking Capa mm	Dimensions (L × W × H) mm	Weight kg
<b>5TM1MN</b>	mN-m 0.2 – 1	mN-m 0.05	φ 6 – φ 58	122 × 76.5 × 59	10.5
<b>5TM1.5MN</b>	0.2 – 1.5				
<b>5TM2.5MN</b>	0.5 – 2.5	0.1			
<b>5TM5MN</b>	1 – 5	0.2			
<b>5TM7.5MN</b>	1 – 7.5				

## TORQUE WRENCH TESTER



Model	Graduations Min. – Max. to Either Side	Graduation Unit	Square Drive mm	Dimensions (L × W × H) mm	Weight kg
<b>DOTE20N</b>	N-m 2 – 20	N-m 0.005	9.5	500 × 257 × 222	11
<b>DOTE36N</b>	3.6 – 36	0.01			
<b>DOTE100N</b>	10 – 100	0.02	12.7	780 × 317 × 270	13
<b>DOTE200N</b>	20 – 200	0.05			
<b>DOTE360N</b>	36 – 360	0.1	19.0	1,380 × 388 × 272	25
<b>DOTE700N</b>	70 – 700	0.2			
<b>DOTE1000N</b>	100 – 1000	0.2			

## GEAR PULLER



Model	Opening Capa A mm	Length Capa B mm	Claw
<b>T-23</b>	0 – 60	50( 40)*	2
<b>T-24</b>	0 – 110	80( 60)	
<b>T-24L</b>	0 – 110	140( 60)	
<b>T-26</b>	0 – 170	130(100)	
<b>T-26L</b>	0 – 170	190( 90)	
<b>T-26C</b>	0 – 220	200	
<b>T-28</b>	0 – 220	348	
<b>T-34</b>	0 – 110	80( 60)	3
<b>T-34L</b>	0 – 110	140( 60)	
<b>T-36</b>	0 – 170	130(100)	
<b>T-36L</b>	0 – 170	190( 90)	
<b>T-36C</b>	0 – 220	200	

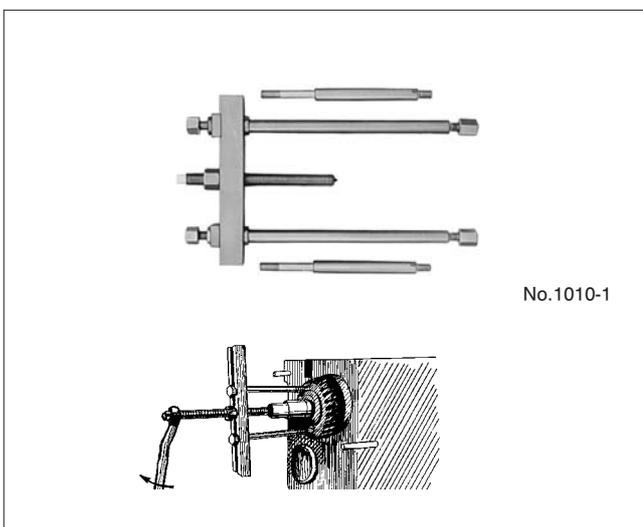
※Length when claw's reversed.

## SLIDE TYPE GEAR PULLER



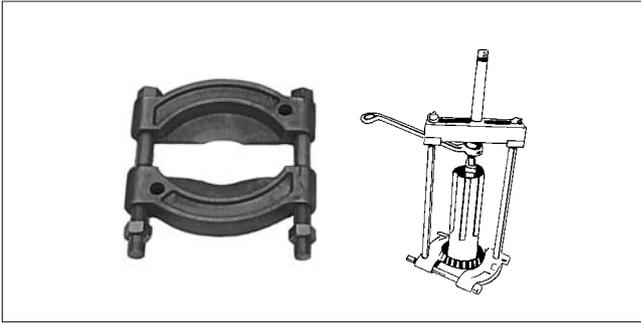
Model	Jaw Opening mm	Width mm	Capacity ton	Weight kg
<b>GPS-80</b>	30 – 80	90	4	1
<b>GPS-120</b>	30 – 120	90	4	1.2
<b>GPS-160</b>	40 – 160	140	6	2.8
<b>GPS-200</b>	40 – 200	140	6	3.1
<b>GPS-250</b>	60 – 250	190	10	7
<b>GPS-350</b>	60 – 350	190	10	8

## GEAR PULLER



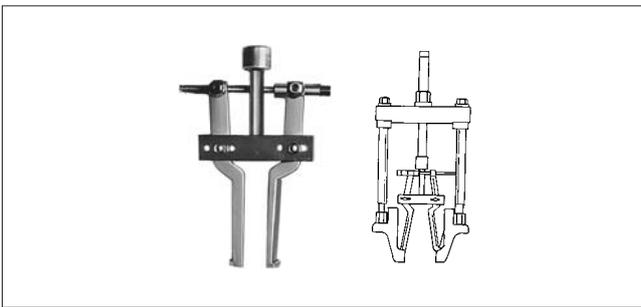
Model	Bolt Movable Range mm	Bolt-Overall Length × Number mm
<b>1010-1</b>	54 – 345	350 × 2, 550 × 2
<b>150-2</b>	120 – 300	230 × 2, 350 × 2, 540 × 2

## BEARING PULLING ATTACHMENT



Model	Movable Range mm
<b>No.58</b>	0 – 58
<b>No.145</b>	0 – 145

## BEARING CUP PULLER



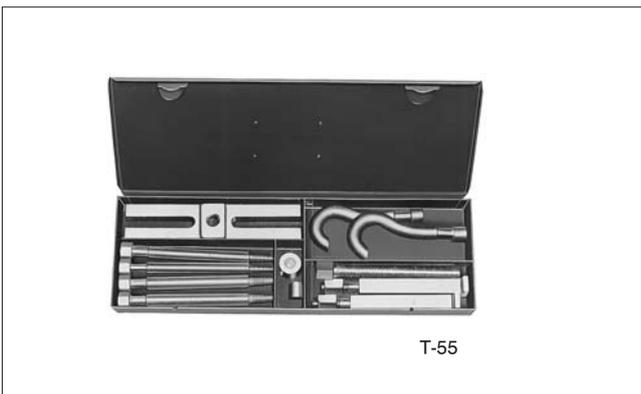
Model	Screw Adjusting Range mm	Screw Effective Length mm
<b>150-1</b>	38 – 150	100

## BEARING PULLER SET



Model	Contents	Case Dimensions mm	Weight kg
<b>No.150HD</b>	150-2 Push Puller 145 Pulling Attachment 150-1 Cup Puller	640×315×70	26
150-2 Contents		145 Contents	
"H" Frame 1		Half-moon Type Attachment 2	
"H" Frame Feeding Thread 1		Bolt with Nut 2	
Bolt with Nut 6		150-1 Contents	
Connecting Nut, Cup Nut 4		Screw Shaft 1	
Flat Plate 2		"H" Frame 1	
		Adjusting Screw 1	
		Inside Jaw 2	

## UNIVERSAL GEAR PULLER



Model	Capacity mm	Case Dimensions mm	Weight kg
<b>No.101S</b>	0 – 110	215×160×27	2.0
<b>T-55</b>	0 – 170	360×140×40	4.5
<b>No.100</b>	0 – 170	370×195×37	5.3

# HAND TOOLS AND MISCELLANEOUS

## HEAVY GRIP PULLER SET



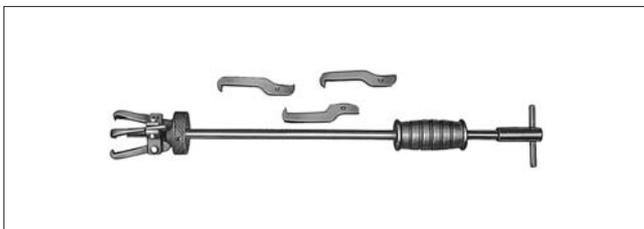
Model	Contents	Case Dimensions mm	Weight kg
<b>No.96</b>	T-26C Gear Puller 145 Bearing Pulling Attachment	410×310×65	15

## BLIND BEARING PULLER



Model	Capacity mm	Case Dimensions mm	Weight kg
<b>BL-600</b>	10 – 32 $\phi$	385 × 120 × 45	3.5

## SLIDE HAMMER PULLER



Model	Jaw Opening mm	Jaw Size (Quantity)	Overall Length mm
<b>G-60</b>	Outside 100, Inside 85	90mm (3), 115mm (3)	610

## UNIVERSAL PULLER SET



Model	For Use	Board Dimension mm	Set Contents	Weight kg
<b>UP-3000</b>	Small & General Cars	930 × 770	H-101 Gear Puller T-22 Wheel Puller T-24 Gear Puller T-26 Gear Puller T-20 Terminal Puller HN-117 Pitman Arm Puller G-60 Slide Hammer Puller 3-Jaw Gear Puller HNS-102 Steering Puller	23
<b>UP-5000</b>	Trucks & Busses	1,200 × 1,000	No.150H/D Puller Set T-75 Wheel Puller T-26 Gear Puller T-28 Gear Puller T-20 Terminal Puller G-60 Slide Hammer Puller H-101 Gear Puller	47

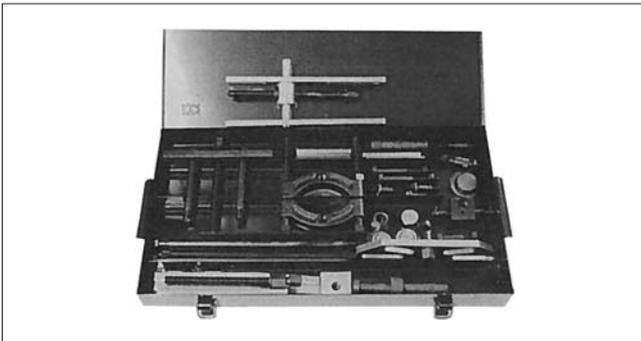
## MECHANICAL KIT



Ideal for Servicing Truck & Bus.

Model	Board Size mm	Weight kg
<b>HMB-8000</b>	1,200 × 1,000	50
Contents		
HWB-250	Wheel Bearing Puller	1
HT	Adapter for Nissan UD	1
HTM-150	Transmission Bearing Z Puller	1set
CLP-75	Cylinder Liner Puller	1set
H-228	Pitman Arm Puller, Large Type	1
H-129	Inside Slide Hammer Puller	1
HR-612	Quick Riveter	1set
H-33	Heavy Duty Brake Spring Plier	1
H-22	Large Type Brake Spring Plier	1

## AXLE PULLER SET



Ideal kit for FF Cars.

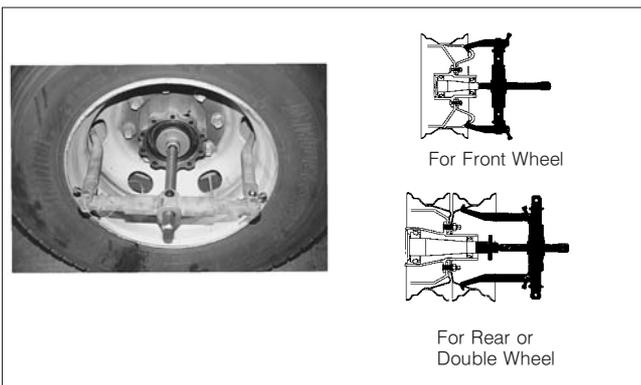
Model	<b>KP-222</b>
Set Contents	FF-190 Front Hub & Bearing Push Puller KP-171F Bearing Lathe Puller KH-40BM Hub Pull Puller Beam

## TRUCK WHEEL HUB PULLER



Model	Inside mm	Outside mm	P mm
<b>QW-300N</b>	180 – 203	210 – 243	0 – 125
<b>QW-330N</b>	180 – 203	210 – 243	70 – 210

## WHEEL HUB PULLER

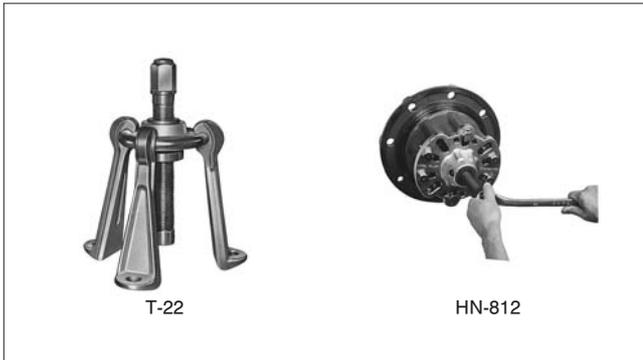


To remove wheel & hub at the same time.

Model	Use for
<b>HP-903</b>	For 4ton or more

# HAND TOOLS AND MISCELLANEOUS

## UNIVERSAL WHEEL HUB PULLER



Model	Use for	Weight kg
<b>T-25</b>	Small Passenger car	2.3
<b>T-22</b>	Passenger car	3.7
<b>HN-180N</b>	Truck, Bus 2 – 6t	2
<b>HN-812</b>	Truck, Bus 6 – 12t	4.8

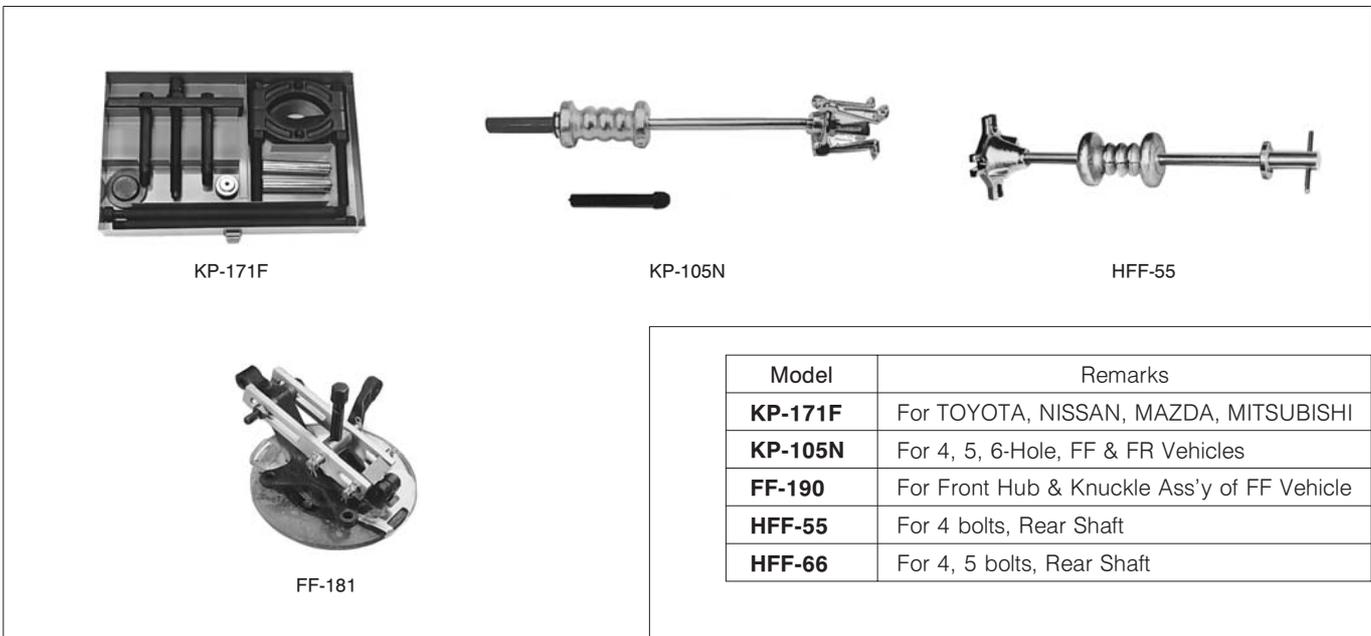
## INNER NUT PULLER



Special puller for removal of broken Nuts for Double Tyre Wheels.

Model	Remarks
<b>HH-920</b>	4 kinds

## FRONT BEARING & HUB PULLER



Model	Remarks
<b>KP-171F</b>	For TOYOTA, NISSAN, MAZDA, MITSUBISHI
<b>KP-105N</b>	For 4, 5, 6-Hole, FF & FR Vehicles
<b>FF-190</b>	For Front Hub & Knuckle Ass'y of FF Vehicle
<b>HFF-55</b>	For 4 bolts, Rear Shaft
<b>HFF-66</b>	For 4, 5 bolts, Rear Shaft

## SLIDING HAMMER



Use together with Hub Puller.

Model	Screw	Weight kg
<b>SH-32</b>	M18 × 2P	3.2

## FRONT HUB PULLER



This puller are used with Model SH-32 Sliding Hammer.  
Use for:

- Front Hub of FF Vehicles.
- Rear Shaft of FR Vehicles.

Model	<b>FHP-993A</b>
Remarks	For 4 Hole

## HUB BEARING PULLER



Use for Front Hub of FF Vehicles.

Model	<b>TBP-600</b>
-------	----------------

## CENTER ARM PUSH PULLER



Model	<b>LF-928</b>
-------	---------------

Without using Hydraulic Press.

## WHEEL BEARING PULLER



Model	Bearing Dia. mm	Use for
<b>HWB-250</b>	140 – 170	Large Truck & Bus

# HAND TOOLS AND MISCELLANEOUS

## DRIVING SHAFT BOOTS CHANGER



Model	Remarks
<b>KP-206</b>	For Front Wheel Drive Cars. Attachment 6pcs.

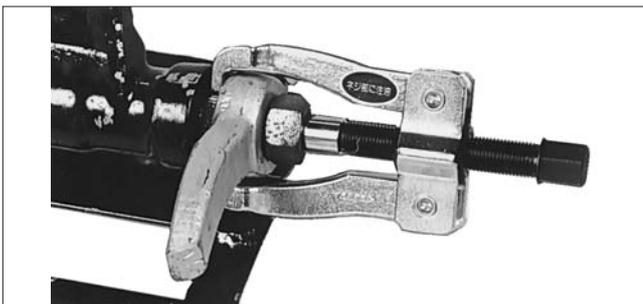
## STERING WHEEL PULLER



For removing Stering Wheel without damages.  
For Passenger Cars.

Model	Contents	Weight kg
<b>HNS-102</b>	$\frac{9}{16} \times 12$ 150mm 1	1.3
	$\frac{5}{16} \times 18$ 105mm 3	
	8 × 1.25 105mm 3	
	100 × 95 × 17mm 1	
	200 × 110 × 35mm 1	
Attachment-Center Tip 1		

## PITMAN ARM PULLER



Model	Jaw Opening mm	Weight kg	Use for
<b>HN-117</b>	Max. 55	1.3	Passenger Cars
<b>H-228</b>	Max. 95	1.8	Medium Truck & Bus

## TIE-ROD END REMOVER



Model	Jaw Opening mm	Overall Length mm	Use for
<b>TRH-12</b>	17	330	Passenger Cars
<b>TRH-13</b>	28	460	Large Vehicles

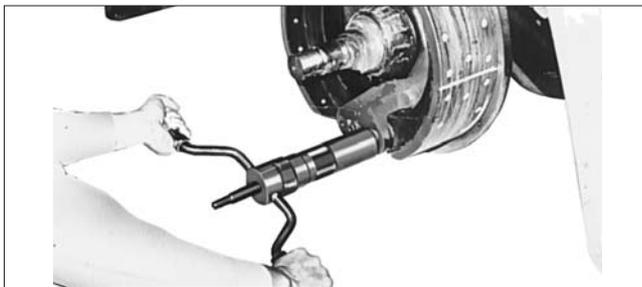
## TIE-ROD END LIFTER



This Lifter can break into Tie-rod End and lift up.

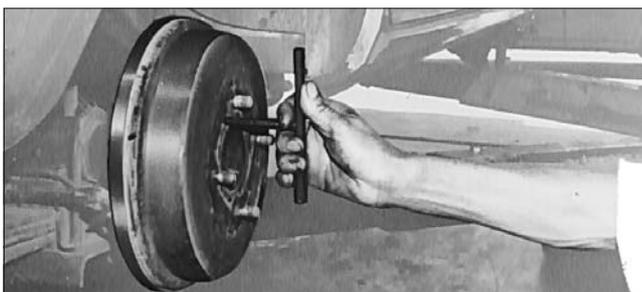
Model	L × W × H mm	Weight kg
<b>TR-15</b>	130 × 65 × 45	Approx. 1
<b>TR-25</b>	152 × 82 × 60	Approx. 1.5

## ANCHOR-PIN PULLER



Model	Contents	Case Dimension mm	Weight kg
<b>HAP-100</b>	Main Unit 1 Hammer 1 Adaptor 1 Tap 3	525 × 335 × 120	10

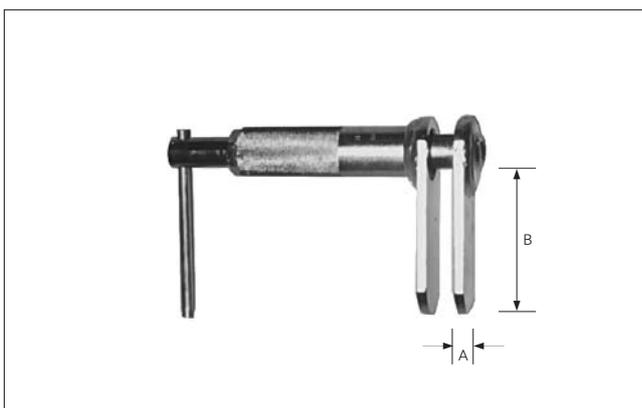
## BRAKE DRUM REMOVER



Just Screw in Drum is removed.

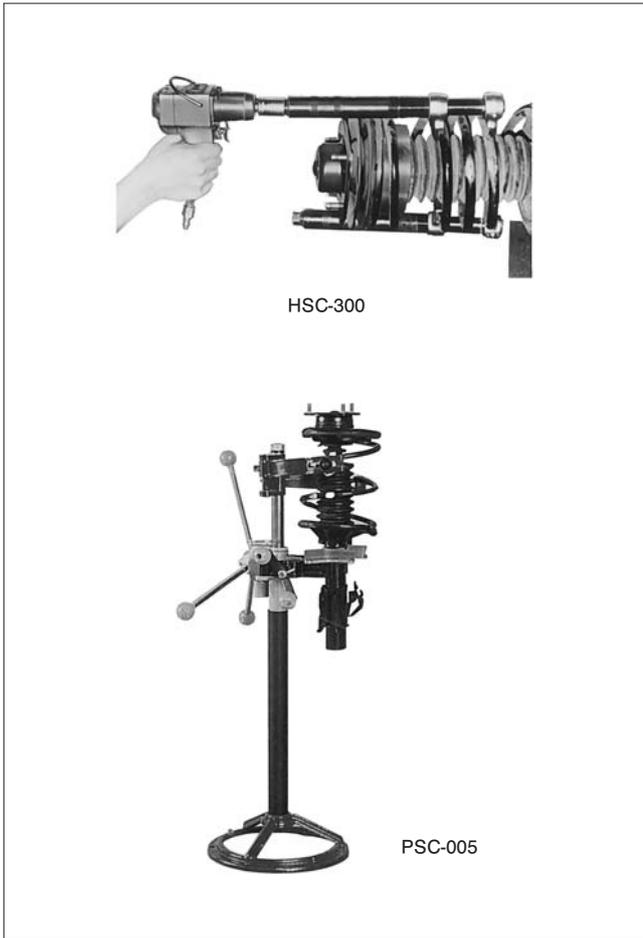
Model	Screw Size mm
<b>DR-8</b>	L25 × 8 φ

## DISK BRAKE PISTON INSERTER



Model	<b>HDP-870</b>	
Use for	Passenger car & Light Truck	
A	mm	6
B	mm	65
Plate Width	mm	50
Opening Capacity	mm	75

## COIL SPRING COMPRESSOR

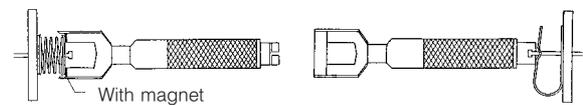


Model	Case Dimension mm	Remarks
<b>HSC-200</b>	235 × 200 × 80	Strut Small Size Car
<b>HSC-300</b>	–	Strut Large Size Car
<b>HSC-340</b>	340 × 150 × 10 (Carton Box)	Strut Small to Ordinary Car
<b>PSC-005</b>	–	Low 900mm, High 1,300mm

## BRAKE SHOE HOLD SPRING PULLER



Model	Overall Length mm
<b>HBSP-612</b>	185

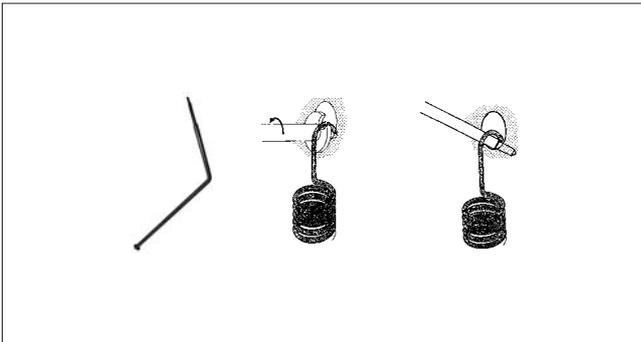


## BRAKE SPRING PLIER



Model	Overall Length mm
<b>BP-21</b>	330
<b>BP-31</b>	515
<b>BP-33</b>	700

## BRAKE SHOE SPRING PULLER



**BS-922**

For Passenger Cars and Light Trucks

## C WASHER WRENCH



For C-washer of Brake Shoe.

Model	Overall Length mm
<b>HCW-879</b>	300

## BATTERY-TERMINAL & GEAR PULLER



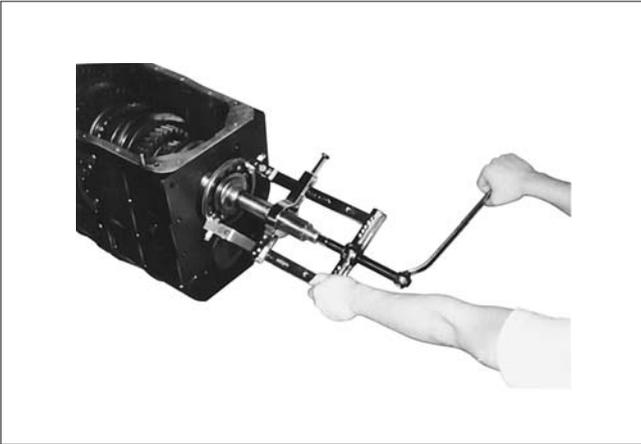
Model	Capacity mm
<b>T-20</b>	80 $\phi$

## ALTERNATOR BEARING PULLER



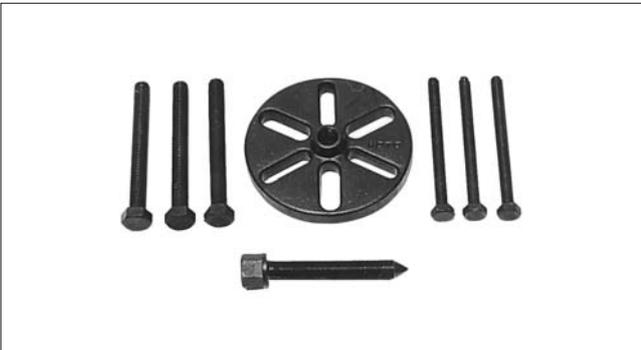
Model	Capacity mm
<b>TOP-20M</b>	12 $\times$ 32 $\phi$

## TRANSMISSION BEARING PULLER



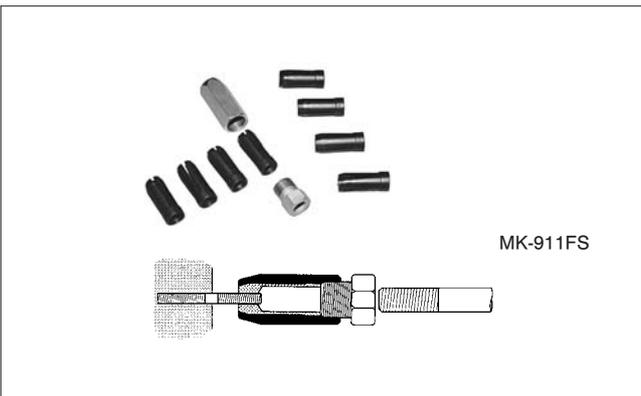
Model	HTM-250
Applicable for	Small Medium Truck
Capacity mm	90 – 120, 120 – 150
Case Size mm	330 × 225 × 50
Weight kg	5.2

## FLY-WHEEL PULLER



Model	Set Contents
FH-370	Holder, Monitor Bolt Leg Bolt 6.8mm each 3pcs.

## PIN PULLER



Slide hammer for removing dwell pin for Fly-wheel crank case, use with SLIDE HAMMER.

Model	Note
MK-911C MK-911FS	Chuck only (6, 8, 9, 10 φ) Complete Set

## OIL SEAL PULLER



Model	Oil Seal Dia. mm
HOP-2060	In      Out 20 φ - 60 φ
HOP-2090	20 φ - 90 φ

## CLUTCH ALIGNER



Easily set up a clutch alignment.

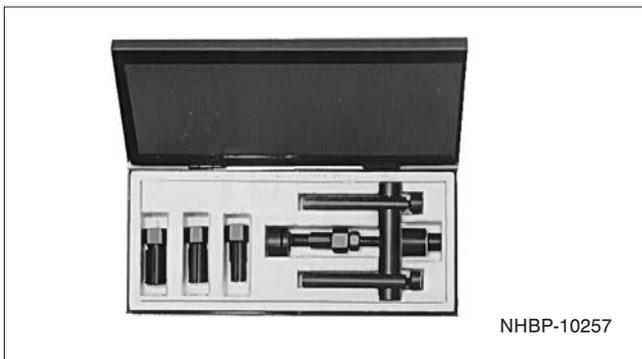
Model	HC-25	HC-15N
Use For	Small~ Passenger Car	Truck, Bus
Bearing Size mm	9 – 25	15 – 30
Clutch Disk Size mm	15.7 – 30	22 – 50

## CLUTCH DISK PILOT SHAFT



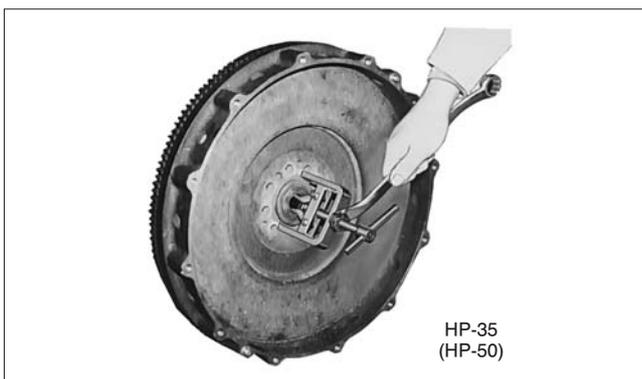
Model	Case Dimensions mm	Weight kg	Use for
<b>HCP-613H</b>	110×200×30	1.6	Passenger Car
<b>HCP-618</b>	142×310×57	3.4	Large Vehicle

## BEARING PULLER



Model	Bearing Inner Dia. mm
<b>NHBP-10257</b>	10 φ, 12 φ, 15 φ, 17 φ
<b>NHBP-FS</b>	10 φ, 12 φ, 15 φ, 17 φ, 20 φ, 25 φ, 30 φ, 35 φ

## PILOT BEARING PULLER



Model	Capacity mm	Use for
<b>PB-120N</b>	12 – 17 φ	TOYOTA, NISSAN, ISUZU 2 – 6 ton Truck or Bus more than 6 ton Truck or Bus
<b>HP-35</b>	16 – 36 φ	
<b>HP-50</b>	24 – 39 φ	

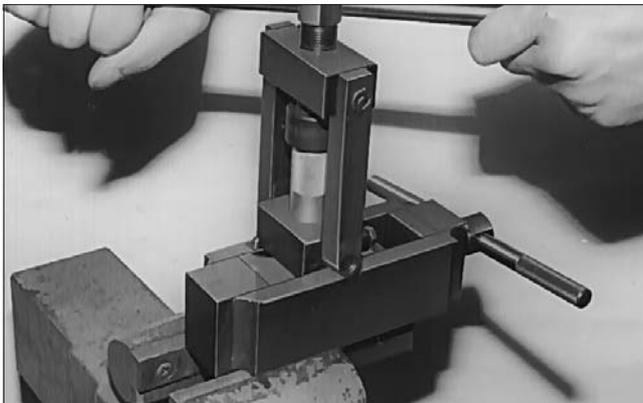
# HAND TOOLS AND MISCELLANEOUS

## PIPE BENDER



Model	Available Pipe Dia. mm
<b>TB-5681</b>	Brake Pipe 4.76 $\phi$ , 6.35 $\phi$ Copper Pipe 5 $\phi$ , 6 $\phi$ , 8 $\phi$ , 10 $\phi$
<b>PB-810</b>	Brake Pipe 8 $\phi$ , 10 $\phi$
<b>PB-1215</b>	Brake Pipe 12 $\phi$ , 15 $\phi$

## PIPE FLARE



Model	Available Pipe Size mm	Contents
<b>PL-BN</b>	4.76 $\phi$ , 6.35 $\phi$ , 8 $\phi$ , 9.5 $\phi$ , 10 $\phi$ , 12 $\phi$ , 12.7 $\phi$ , 15 $\phi$	Main Unit Punch 7pcs. Handle 2sets Dies 2sets

## BUSHING INSERTER & REMOVER

- Nylon Made



Model	Set Contains	Weight kg
<b>PK-01</b>	PN-10, 15, 20, 25, 30, 35, 40, 50	5

## ADJUSTABLE REAMER

JIS B4412



Model	Adjustable Range mm	Blade Length mm	Overall Length mm
<b>R-4A</b>	9.5 -10.25	38	121
<b>R-3A</b>	10.25 - 11	38	127
<b>R-2A</b>	11 -12	42	134

Model	Adjustable Range mm	Blade Length mm	Overall Length mm
<b>R-A</b>	12 -13.5	42	141
<b>R-B</b>	13.5 -15	45	146
<b>R-C</b>	15 -16.75	53	166
<b>R-D</b>	16.75 - 18.25	56	172
<b>R-E</b>	18.25 - 19.75	64	178
<b>R-F</b>	19.75 - 21.5	67	188
<b>R-G</b>	21.5 -23.75	76	204
<b>R-H</b>	23.75 - 27	83	230
<b>R-I</b>	27 -30.25	86	254
<b>R-J</b>	30.25 - 34.25	98	280
<b>R-K</b>	34.25 - 38	109	305
<b>R-L</b>	38 -46	113	356
<b>R-M</b>	46 -56	128	407

## ADJUSTABLE REAMER WITH PILOT

JIS B4412



Model	Adjustable Range mm	Blade Length mm	Overall Length mm
<b>PL-A</b>	12 -13.5	42	200
<b>PL-B</b>	13.5 -15	45	230
<b>PL-C</b>	15 -16.75	53	255
<b>PL-D</b>	16.75 - 18.25	56	275
<b>PL-E</b>	18.25 - 19.75	64	300
<b>PL-F</b>	19.75 - 21.5	67	315
<b>PL-G</b>	21.5 -23.75	76	340
<b>PL-H</b>	23.75 - 27	83	370
<b>PL-I</b>	27 -30.25	86	400
<b>PL-J</b>	30.25 - 34.25	98	425
<b>PL-K</b>	34.25 - 38	109	450

## DIES HANDLE



Model	Dies Size mm	Overall Length mm
<b>KDH-25D</b>	25	185
<b>DH-38</b>	38	300

## TAP & REAMER WRENCH



Model	Tap Size mm
<b>RW-12</b>	5 - 12 $\phi$
<b>TRW-6</b>	3 - 6 $\phi$

# HAND TOOLS AND MISCELLANEOUS

## SCREW PLATE



Model	Set Contents	Screw
<b>M-618</b>	8-Medium Taps, 8-Dies 6×P1.0, 8×P1.25, 10×P1.25, 12×P1.5, 13×P1.5, 14×P1.5, 16×P1.5, 18×P1.5 RW-19 Tap Wrench DH-38 Die Handle	Metric
<b>M-320</b>	28-Medium Taps, 26-Dies 3×P0.5, 3×P0.6, 4×P0.7, 4×P0.75, 5×P0.8, 5×P0.9, 6×P0.75, 6×P1.0, 8×P1.0, 8×P1.25, 10×P1.0, 10×P1.25, 10×P1.5, 12×P1.25, 12×P1.5, 12×P1.75, 13×P1.75, 14×P1.25, 14×P1.5, 14×P2.0, 16×P1.5, 16×P2.0, 18×P1.5, 18×P2.5, 20×P1.5, 20×P2.5, ¼NF28, ⅓PT28 #4 Tap Wrench, #5 Tap Wrench TRW-6 Tap Holder, DH-38 Die Handle, DH-50 Die Handle	Metric
<b>S318</b>	3×0.5 2pcs. 12×1.25 1pc. 4×0.7 2pcs. 12×1.5 1pc. 5×0.8 2pcs. 12×1.75 1pc. 6×1.0 2pcs. 14×1.25 1pc. 8×1.25 2pcs. 14×1.5 1pc. 10×1.25 1pc. 14×2.0 1pc. 10×1.5 1pc. 16×1.5 1pc. 18×1.5 1pc. Plug Tap 1pc. Grease Nipple Wrench 1pc. Screw Pitch Gauge 1pc. Tap Holder 1pc. Tap Wrench 1pc. T-Handle Extractor 1pc.	

## TAPS



Model	Nominal Size & Pitch Metric Thread
<b>TM-0306</b>	3×P0.6
※ <b>TM-0305</b>	3×0.5
<b>TM-04075</b>	4×0.75
※ <b>TM-0407</b>	4×0.7
<b>TM-0509</b>	5×0.9
※ <b>TM-0508</b>	5×0.8
<b>TM-0610</b>	6×1.0
# <b>TM-06075</b>	6×0.75
<b>TM-08125</b>	8×1.25
# <b>TM-0810</b>	8×1.0
<b>TM-1015</b>	10×1.5
# <b>TM-10125</b>	10×1.25
# <b>TM-1010</b>	10×1.0
<b>TM-1115</b>	11×1.5
# <b>TM-11125</b>	11×1.25
<b>TM-12175</b>	12×1.75
# <b>TM-1215</b>	12×1.5
# <b>TM-12125</b>	12×1.25
<b>TM-13175</b>	13×1.75
# <b>TM-1315</b>	13×1.5
<b>TM-14125</b>	14×1.25
<b>TM-1420</b>	14×2.0
# <b>TM-1415</b>	14×1.5
# <b>TM-1410</b>	14×1.0
<b>TM-1620</b>	16×2.0
# <b>TM-1615</b>	16×1.5
# <b>TM-1825</b>	18×2.5
# <b>TM-1815</b>	18×1.5
# <b>TM-2025</b>	20×2.5
# <b>TM-2015</b>	20×1.5

Model	Nominal Size & Pitch Metric Thread
<b>TM-2225</b>	22×P2.5
# <b>TM-2215</b>	22×1.5
<b>TM-2430</b>	24×3.0
# <b>TM-2420</b>	24×2.0
# <b>TM-2415</b>	24×1.5
NF (SAE) Thread	
<b>TF-0828</b>	¼×28
<b>TF-1024</b>	⅝×24
<b>TF-1224</b>	⅜×24
<b>TF-1420</b>	7/16×20
<b>TF-1620</b>	½×20
<b>TF-1818</b>	9/16×18
<b>TF-2018</b>	⅝×18
<b>TF-2416</b>	¾×16
<b>TF-2814</b>	7/8×14
<b>TF-3212</b>	1×12
NC (UNC) Thread	
<b>TC-0820</b>	¼×20
<b>TC-1018</b>	⅝×18
<b>TC-1216</b>	⅜×16
<b>TC-1414</b>	7/16×14
<b>TC-1613</b>	½×13
<b>TC-1812</b>	9/16×12
<b>TC-2011</b>	⅝×11
<b>TC-2410</b>	¾×10

## DIES



Model	Nominal Size & Pitch Metric Thread	O.S. Dia. mm
<b>DMC-0306</b>	3×P0.6	38
※ <b>DMC-0305</b>	3×0.5	38
<b>DMC-04075</b>	4×0.75	38
※ <b>DMC-0407</b>	4×0.7	38
<b>DMC-0509</b>	5×0.9	38
※ <b>DMC-0508</b>	5×0.8	38
<b>DMC-0610</b>	6×1.0	38
# <b>DMC-06075</b>	6×0.75	38
<b>DMC-08125</b>	8×1.25	38
# <b>DMC-810</b>	8×1.0	38
<b>DMC-1015</b>	10×1.5	38
# <b>DMC-10125</b>	10×1.25	38
# <b>DMC-1010</b>	10×1.0	38
<b>DMC-1115</b>	11×1.5	38
# <b>DMC-11125</b>	11×1.25	38
<b>DMC-12175</b>	12×1.75	38
# <b>DMC-1215</b>	12×1.5	38
# <b>DMC-12125</b>	12×1.25	38
<b>DMD-13175</b>	13×1.75	50
# <b>DMD-1315</b>	13×1.5	50
<b>DMD-14125</b>	13×1.25	50
<b>DMD-1420</b>	14×2.0	50
# <b>DMD-1415</b>	14×1.5	50
# <b>DMD-1410</b>	14×1.0	50
<b>DMD-1620</b>	16×2.0	50
# <b>DMD-1615</b>	16×1.5	50
<b>DMD-1825</b>	18×2.5	50
# <b>DMD-1815</b>	18×1.5	50
<b>DMD-2025</b>	20×2.5	50
# <b>DMD-2015</b>	20×1.5	50

Model	Nominal Size & Pitch Metric Thread	O.S. Dia. mm
# <b>DMD-2215</b>	22×P1.5	57
<b>DMD-2225</b>	22×P2.5	57
# <b>DMD-2415</b>	24×P1.5	57
# <b>DMD-2420</b>	24×P2.0	57
<b>DMD-2430</b>	24×P3.0	57
NF (SAE) Thread		
<b>DFC-828</b>	¼×28	38
<b>DFC-1024</b>	⅝×24	38
<b>DFC-1224</b>	⅜×24	38
<b>DFC-1420</b>	7/16×20	38
<b>DFC-1620</b>	½×20	38
<b>DFD-1818</b>	9/16×18	50
<b>DFD-2018</b>	⅝×18	50
<b>DFD-2416</b>	¾×16	50
<b>DFD-2814</b>	7/8×14	50
<b>DFD-3212</b>	1×12	50
NC (UNC) Thread		
<b>DCC-820</b>	¼×20	38
<b>DCC-1018</b>	⅝×18	38
<b>DCC-1216</b>	⅜×16	38
<b>DCC-1414</b>	7/16×14	38
<b>DCC-1613</b>	½×13	38
<b>DCD-1812</b>	9/16×12	50
<b>DCD-2011</b>	⅝×11	50
<b>DCD-2410</b>	¾×10	50

※Shows ISO Standard.  
#Shows Fine Thread.  
Others show Ordinary Thread.

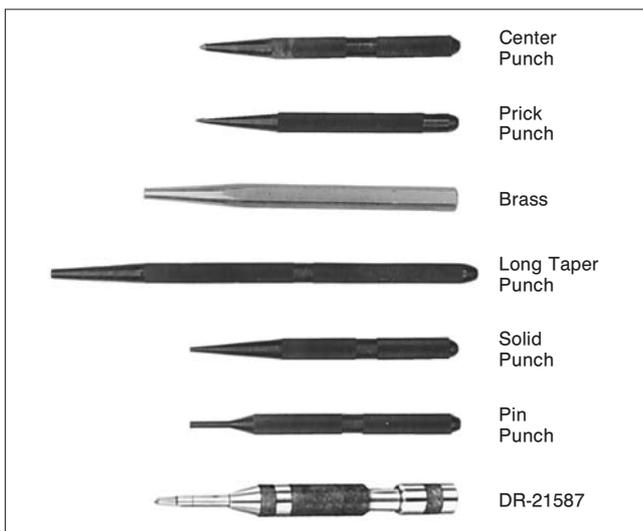
※Shows ISO Standard.  
#Shows Fine Thread.  
Others show Ordinary Thread.

## CHISEL



Model	Blade With mm	Overall Length mm	Type
<b>C-1</b>	11	140	Flat
<b>C-2</b>	13	165	
<b>C-3</b>	16	165	
<b>C-4</b>	19	165	
<b>C-5</b>	25	190	
<b>C-6</b>	6	150	Cape
<b>C-15</b>	6	150	Round
<b>C-10</b>	6	150	Diamond Point
<b>DR-25810</b>	25	230	w/ Protector
<b>DR-25811</b>	25	230	w/o Protector

## PUNCH



Model	Shank Size mm	Point Size mm	Overall Length mm	Type
<b>C-20</b>	9.5	—	130	Center Punch
<b>C-22</b>	9.5	—	130	Prick Punch
<b>BP-10</b>	10	5	150	Brass
<b>C-30</b>	9.5	4	200	Long Taper Punch
<b>C-36</b>	13	3	150	Solid Punch
<b>C-25</b>	9.5	3.2	130	Pin Punch
<b>C-27</b>	13	4.5	150	
<b>C-29</b>	19	8	180	
<b>DR-21587</b>	16	—	155	Automatic Center Punch

## COTER PIN PULLER



Model	Overall Length mm
<b>CP-10</b>	165

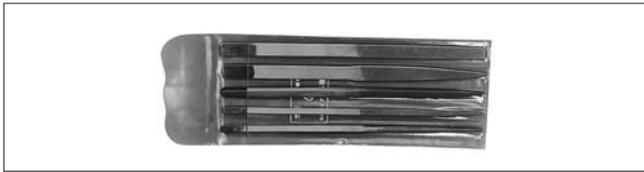
## CHISEL & PUNCH SET



Model	Set Contents
<b>No.311</b>	C-2, C-4, C-6, C-15 C-10, Chisel
	C-20, C-22, C-30, C-36 C-27, C-25 Punch

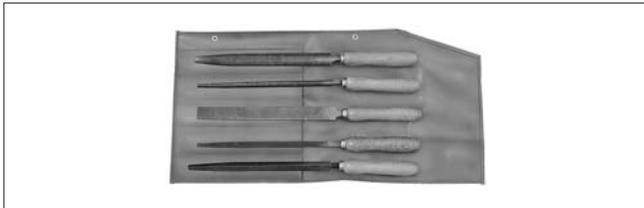
# HAND TOOLS AND MISCELLANEOUS

## SET OF NEEDLE FILES



Model	Cut	Contents	Overall Length mm (File Length mm)
<b>F-150S</b>	Medium	Round, Half-Round, Square, Triangular Flat	150 (92)

## ENGINEER'S FILES SET



Model	Nominal Size mm	Cut	Contents
<b>F-250S</b>	250	Medium	Flat, Half-Round, Round, Square, Triangular

## ENGINEER'S FILES



(Flat)			(Half-Round)			(Triangular)			(Round)			(Square)		
Model	A mm	Cut	Model	A mm	Cut	Model	A mm	Cut	Model	A mm	Cut	Model	A mm	Cut
<b>FL-150R</b>	150	Rough	<b>HR-150R</b>	150	Rough	<b>TA-150R</b>	150	Rough	<b>RO-150R</b>	150	Rough	<b>SQ-150R</b>	150	Rough
<b>FL-150M</b>	150	Medium	<b>HR-150M</b>	150	Medium	<b>TA-150M</b>	150	Medium	<b>RO-150M</b>	150	Medium	<b>SQ-150M</b>	150	Medium
<b>FL-150F</b>	150	Fine	<b>HR-150F</b>	150	Fine	<b>TA-150F</b>	150	Fine	<b>RO-150F</b>	150	Fine	<b>SQ-150F</b>	150	Fine
<b>FL-200R</b>	200	Rough	<b>HR-200R</b>	200	Rough	<b>TA-200R</b>	200	Rough	<b>RO-200R</b>	200	Rough	<b>SQ-200R</b>	200	Rough
<b>FL-200M</b>	200	Medium	<b>HR-200M</b>	200	Medium	<b>TA-200M</b>	200	Medium	<b>RO-200M</b>	200	Medium	<b>SQ-200M</b>	200	Medium
<b>FL-200F</b>	200	Fine	<b>HR-200F</b>	200	Fine	<b>TA-200F</b>	200	Fine	<b>RO-200F</b>	200	Fine	<b>SQ-200F</b>	200	Fine
<b>FL-250R</b>	250	Rough	<b>HR-250R</b>	250	Rough	<b>TA-250R</b>	250	Rough	<b>RO-250R</b>	250	Rough	<b>SQ-250R</b>	250	Rough
<b>FL-250M</b>	250	Medium	<b>HR-250M</b>	250	Medium	<b>TA-250M</b>	250	Medium	<b>RO-250M</b>	250	Medium	<b>SQ-250M</b>	250	Medium
<b>FL-250F</b>	250	Fine	<b>HR-250F</b>	250	Fine	<b>TA-250F</b>	250	Fine	<b>RO-250F</b>	250	Fine	<b>SQ-250F</b>	250	Fine
<b>FL-300R</b>	300	Rough	<b>HR-300R</b>	300	Rough	<b>TA-300R</b>	300	Rough	<b>RO-300R</b>	300	Rough	<b>SQ-300R</b>	300	Rough
<b>FL-300M</b>	300	Medium	<b>HR-300M</b>	300	Medium	<b>TA-300M</b>	300	Medium	<b>RO-300M</b>	300	Medium	<b>SQ-300M</b>	300	Medium
<b>FL-300F</b>	300	Fine	<b>HR-300F</b>	300	Fine	<b>TA-300F</b>	300	Fine	<b>RO-300F</b>	300	Fine	<b>SQ-300F</b>	300	Fine

## FILE HANDLE



Model	Nominal Size mm	Size
<b>FH-4</b>	100	Small
<b>FH-5</b>	125	Medium
<b>FH-6</b>	145	Large

## IGNITION POINT FILE



Model	<b>P-115</b>	
Overall Length	mm	135
File Length	mm	70
Contents	A set of 6pcs.	

## VICE



Model	Jaw Width mm	Jaw Opening mm	Weight kg	Note
<b>SV-100A</b> <b>SV-125A</b> <b>SV-150A</b>	100 125 150	100 130 160	17 22 29	Round Top
<b>SV-75</b> <b>SV-100</b> <b>SV-125</b> <b>SV-150</b> <b>SV-200</b>	75 100 125 150 200	100 125 145 180 250	7 11 17 25 55	Flat Top

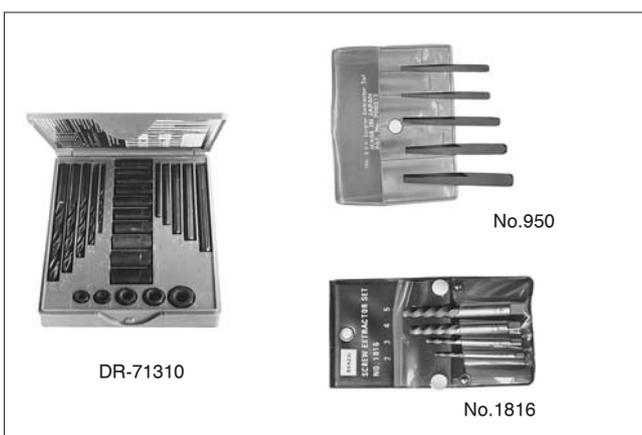
## STUD REMOVER



Model	Max Dia. mm	Square Drive mm
<b>SB-34B</b>	19	12.7(½)

Model	Set Contents	Weight kg
<b>4211M</b>	12.7mm Square Drive Puller (6, 8, 10, 12mm)	1.5

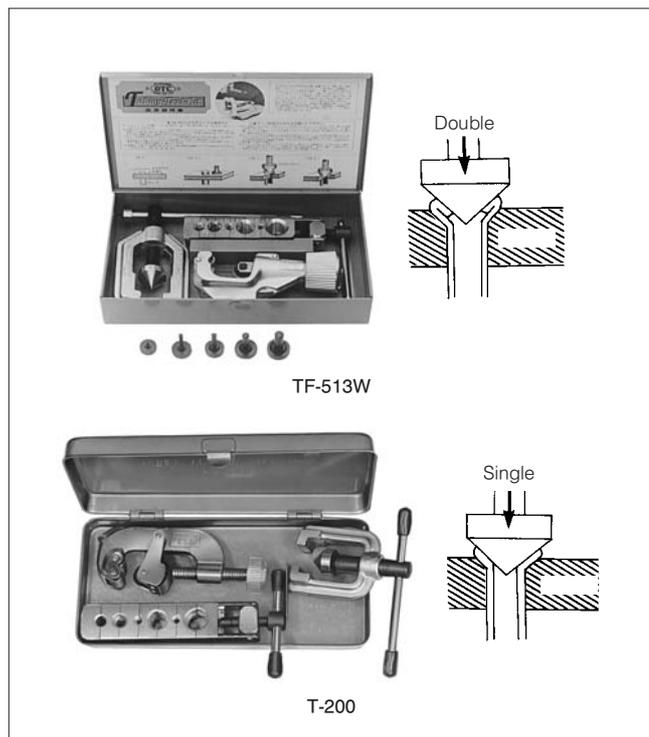
## SCREW EXTRACTOR



Model	<b>DR-71310</b>	
Drill	mm	3.2, 4.8, 6.4, 8.0, 8.7
Drill Guide		No.1 – 10 Each 1pc.
Extractor		No.1 – 5 Each 1pc.
Nut for Extractor		10, 11, 13, 14, 17mm Each 1pc.

Model	For Screw & Bolt Size mm	Note
<b>No.950</b> <b>No.1816</b>	6.5 – 16 6.5 – 19	Wedge type Drill type

## TUBE FLARING & CUTTING TOOL



### • For Double Flaring

Model	TF-513W
Pipe Cutting Capacity mm	3 – 30
Pipe Flaring Capacitymm(inch)	5( <sup>3</sup> / <sub>16</sub> ), 6( <sup>1</sup> / <sub>4</sub> ), 8( <sup>5</sup> / <sub>16</sub> ), 10( <sup>3</sup> / <sub>8</sub> ), 13( <sup>1</sup> / <sub>2</sub> ), 16 ϕ ( <sup>5</sup> / <sub>8</sub> ϕ)
Case Dimensions mm	230 × 130 × 40
Contents	Pipe Cutter, Yoke Assy, Tube Holder, Adaptor (5, 6, 8, 10, 12 ϕ mm)

### • For Single Flaring

Model	T-200
Pipe Cutting Capacity mm	5 – 25
Pipe Flaring Capacitymm(inch)	5( <sup>3</sup> / <sub>16</sub> ), 6( <sup>1</sup> / <sub>4</sub> ), 8( <sup>5</sup> / <sub>16</sub> ), 10( <sup>3</sup> / <sub>8</sub> ), 13( <sup>1</sup> / <sub>2</sub> ), 16( <sup>5</sup> / <sub>8</sub> )
Case Dimensions mm	215 × 100 × 35
Weight kg	1.5
Contents	Tube Cutter, Yoke Assy., Tube Holder

## THREAD RESTORER



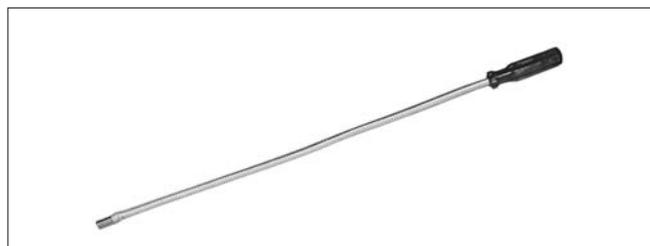
Model	Screw Pitch
<b>USF-8</b>	0.75, 1.00, 1.25, 1.50 1.75, 2.00, 2.50, 3.00

## GASKET CUTTING PUNCH SET



Model	Set Contents
<b>H-75</b>	5, 6, 8, 9, 10, 11, 12, 14, 16 (9pcs./Set) Mandrel 1pc.

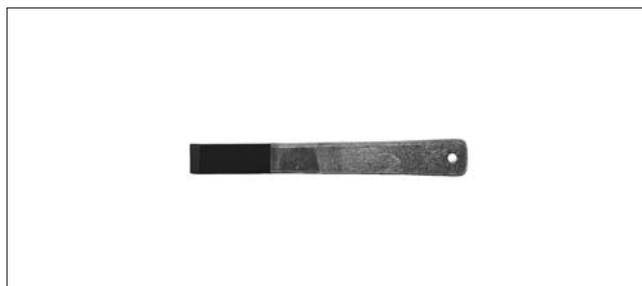
## MAGNETIC FINGER



For picking up small parts

Model	Overall Length mm
<b>H-50</b>	510

## SCRAPER BLADE



Model	Overall Length mm
<b>SR-19</b>	170

## ELECTRIC SOLDERING IRON



Model	Capacity (W)	Overall Length mm
<b>Mi-40W-EXP</b>	40	260
<b>Mi-60W-EXP</b>	60	270
<b>Mi-100W-EXP</b>	100	305
<b>Mi-150W-EXP</b>	150	359
<b>Mi-200W-EXP</b>	200	375

• Solder

Model	Note
<b>ROS</b>	Rosin – Core Wire 1.6 φ 500g per roll

## ABRASIVE CLOTH & PAPER



• Corundum Cloth

Model	Grit
<b>COC-40</b>	40
<b>COC-50</b>	50
<b>COC-60</b>	60
<b>COC-80</b>	80
<b>COC-100</b>	100
<b>COC-120</b>	120

Model	Grit
<b>COC-150</b>	150
<b>COC-180</b>	180
<b>COC-240</b>	240
<b>COC-320</b>	320
<b>COC-400</b>	400

• Corundum Waterproof

Model	Grit
<b>CWP-240</b>	240
<b>CWP-280</b>	280
<b>CWP-320</b>	320

Model	Grit
<b>CWP-400</b>	400
<b>CWP-600</b>	600

## OIL STONE



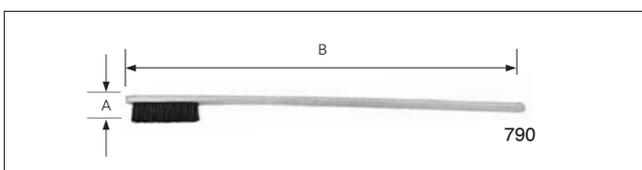
• Alundum

Model	Grit	L × W × H mm
<b>OSA-75</b>	300	75 × 25 × 10
<b>OSA-100-1</b>	300	100 × 25 × 13
<b>OSA-150</b>	300	150 × 50 × 25
<b>OSA-200</b>	300	200 × 50 × 25

• Combination

Model	Grit	L × W × H mm
<b>OSC-100</b>	80, 300	100 × 25 × 13
<b>OSC-150</b>	80, 300	150 × 50 × 25
<b>OSC-200</b>	80, 200	200 × 50 × 25

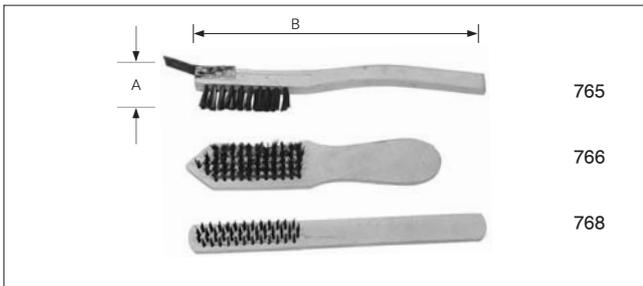
## ENGINE BRUSH



Model	A mm	B mm
<b>790</b>	38	230
<b>791</b>	30	175

# HAND TOOLS AND MISCELLANEOUS

## WIRE BRUSHES



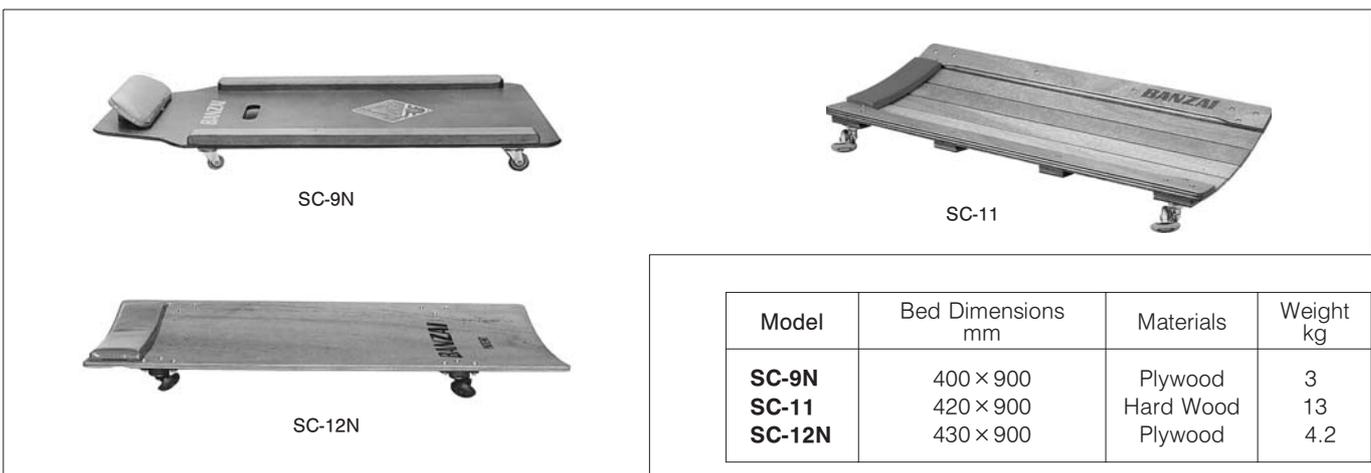
Model	A Size m	Overall Length mm	Features
<b>765</b>	80	310	3-row, with Scraper
<b>766</b>	90	230	5-row, Peaked head, Waved
<b>768</b>	90	270	4-row, 12-hole
<b>769</b>	140	355	4-row, 19-hole
<b>796</b>	75	245	4-row, Brass

## TOOL TRAY



Model	L × W × H mm	Weight kg
<b>PB-7</b>	415 × 250 × 90	1.8
<b>PB-6</b>	415 × 250 × 90 (with handle)	1.8
<b>PB-4</b>	450 × 300 × 120	1.8
<b>PB-3</b>	600 × 450 × 150	5.0
<b>PB-2</b>	900 × 600 × 150	6.0
<b>MGB-200N</b>	210 × 170 × 40 (with magnet)	0.37

## SERVICE CREEPER



Model	Bed Dimensions mm	Materials	Weight kg
<b>SC-9N</b>	400 × 900	Plywood	3
<b>SC-11</b>	420 × 900	Hard Wood	13
<b>SC-12N</b>	430 × 900	Plywood	4.2

## CASTER WHEEL



Model	Note
<b>SC-9-11</b> <b>SC-12N-1</b>	For SC-9N, Urethan For SC-12N, Special

**AIR HOSE REEL**



HAP-310N



HAN-413



SHR-2810ZF



ARX-10



SR-2A10



SHA-2AS



SHR-40P



HA-208N

Model	Max. Pressure MPa	Hose		Connector		Reel Body Dia. mm	Note
		Length mm	India mm	In	Out		
<b>HAP-210N</b>	1.47	10	6.4	1/4	1/4	300	Plastic Body
<b>HAP-210SN</b>	1.47	10	6.4	1/4	1/4	300	Plastic w/Brake
<b>HAP-306N</b>	1.47	6	8	3/8	3/8	300	Plastic Body
<b>HAP-310N</b>	1.47	10	8	3/8	3/8	300	Plastic Body
<b>HAN-415</b>	1.47	15	10	3/8	3/8	370	Steel Body
<b>HA-206N</b>	1.47	6	6.4	1/4	1/4	265	Plastic Body
<b>HA-208N</b>	1.47	8	6	1/4	1/4	265	Plastic Body
<b>HAN-413</b>	1.47	13	10	3/8	3/8	370	Steel Body
<b>ARX-10</b>	1.47	10	6.5	1/4	1/4	288	Plastic Body
<b>ARX-10SE</b>	1.47	10	8	3/8	3/8	288	Plastic Body
<b>ARX-10T</b>	1.47	10	6.5	1/4	1/4	288	Plastic Body
<b>SR-2A10</b>	1.47	10	8	1/4	1/4	410	Steel Body
<b>SR-3A10</b>	1.47	10	11	3/8	3/8	410	Steel Body
<b>SR-4A10</b>	1.47	10	11	1/2	1/2	410	Steel Body
<b>SR-2A15</b>	1.47	15	8	1/4	1/4	410	Steel Body
<b>SR-3A15</b>	1.47	15	11	3/8	3/8	410	Steel Body
<b>SR-4A15</b>	1.47	15	11	1/2	1/2	410	Steel Body
<b>SHR-2810Z</b>	1.47	10	6.5	1/4	1/4	290	Plastic Body
<b>SHR-2810ZF</b>	1.47	10	6.5	1/4	1/4	290	Plastic Body
<b>SHA-2AS</b>	1.47	10	6.3	1/4	1/4	290	Plastic Body
<b>SHR-31Z</b>	1.47	10	8	3/8	3/8	380	Plastic Body
<b>SHR-35Z</b>	1.47	15	8	3/8	3/8	380	Plastic Body
<b>SHR-3ASN</b>	1.47	10	8.3	3/8	3/8	380	Plastic Body
<b>SHR-3BS</b>	1.47	15	8.3	3/8	3/8	380	Plastic Body
<b>SHR-40P</b>	1.47	15	11	1/2	1/2	380	Plastic Body

## LIGHT REEL



- Grage Lamp Type

Model	Cable		Ampere A	Weight kg
	Dia. mm	Length mm		
<b>SLR-3810N</b>	8.4	10	6	4.0
<b>SLR-3810NF</b>	8.4	10	6	4.2

w/o Bulb

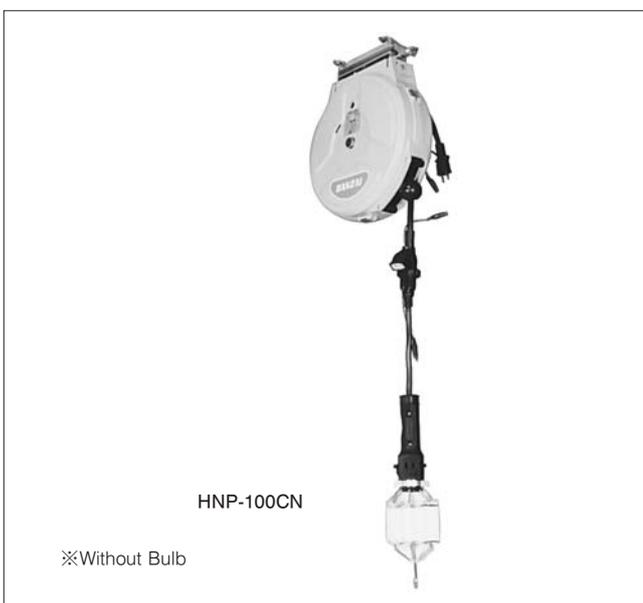
## LIGHT REEL



- Fluorescent Lamp Type

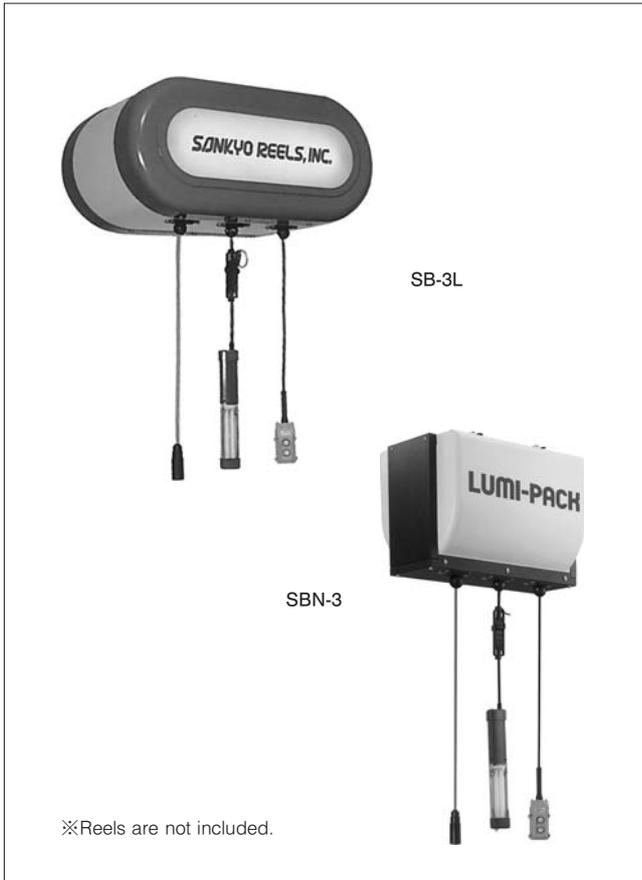
Model	Cable		Ampere A	Weight kg
	Dia. mm	Length mm		
<b>SLR-18W</b>	8.4	10	6	3.8

## GARAGE LIGHT REEL



Model	Cable m × φ mm	Weight kg
<b>HNP-100CN</b>	10 × 10	4.4
<b>HNP-100CSN</b>	10 × 10	4.4

**ENERGY BOX**



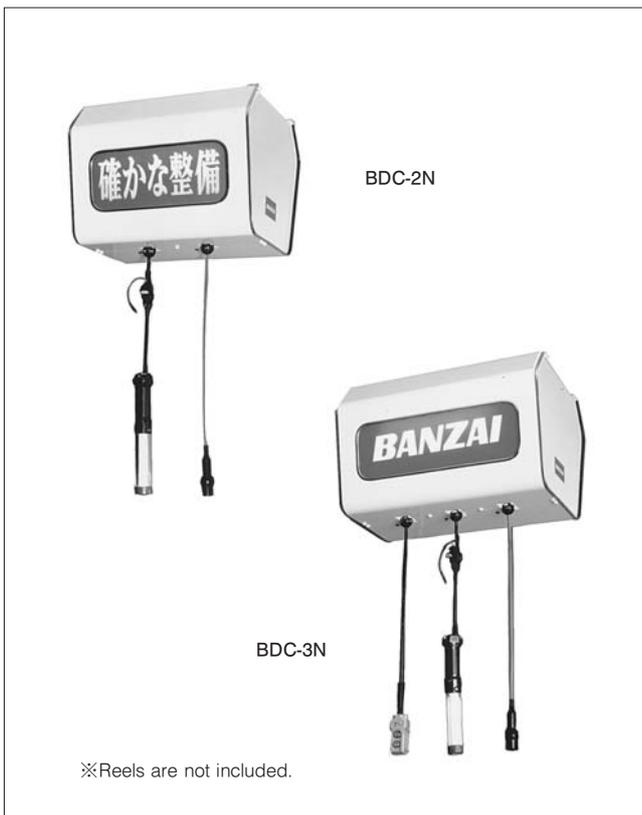
• Two Sides Illuminated Type

Model	Reel	L × W × H mm	Weight kg
<b>SB-2L</b>	2	728 × 528 × 400	23
<b>SB-3L</b>	3	868 × 528 × 400	28

• Without Illumination

Model	Reel	L × W × H mm	Weight kg
<b>SB-2P</b>	2	380 × 350 × 350	15
<b>SB-3P</b>	3	560 × 350 × 350	21
<b>SBN-2</b>	2	434 × 400 × 370	9.3
<b>SBN-3</b>	3	616 × 400 × 370	11.8

**ENERGY BOX**

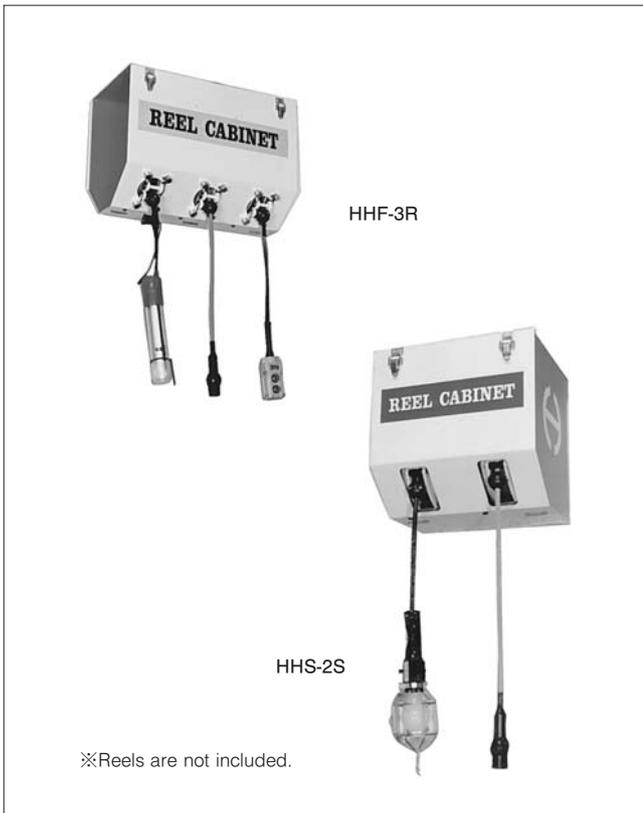


Model	BDC-2N	BDC-3N	BDC-2	BDC-3
No. of Reels	2	3	2	3
Illuminated Sign Board	○	○	×	×
Sign Board Only	×	×	○	○
Sign Board L × W mm	480 × 200	640 × 200	480 × 200	640 × 200
L × W × H mm	600 × 500 × 450	700 × 500 × 450	600 × 500 × 450	700 × 500 × 450
Weight w/o Reels kg	25	32	24	31

- Semi-order made Energy Box. You can design LOGOs on Sign Board. Try it for promotion.  
※Design fee included.
- Special body color order is acceptable for additional fee. (standard color: white)

# HAND TOOLS AND MISCELLANEOUS

## ENERGY BOX



- Side Extract with Hose Guide, Hang Over Type.

Model	Reel	L × W × H mm	Weight kg
<b>HHF-2R</b>	2	380 × 310 × 400	6.0
<b>HHF-3R</b>	3	560 × 310 × 400	9.0
<b>HHF-4R</b>	4	740 × 310 × 400	13.0

- Side Extract w/o Hose Guide, Wall Mounting Type.

Model	Reel	L × W × H mm	Weight kg
<b>HHS-2S</b>	2	380 × 310 × 375	6.0
<b>HHS-3S</b>	3	560 × 310 × 375	8.0
<b>HHS-4S</b>	4	740 × 310 × 375	12.0

## STRONG LIGHT



Model	Lamp	Cable m	L × W × H mm	Weight kg	Note
<b>SL-13T</b>	1 $\phi$ 13W	8	260 × 47 $\phi$	1.3	
<b>SL-20P</b>	1 $\phi$ 20W	5	910 × 60 $\phi$	1.4	w/Wall Holders

- Option: MH-50/60 Magnetic Holder (MH-50 for SL-13)  
 CH-60 Caster Holder (for SL-20P)  
 FH-60 Hangger Holder (for SL-20P)

## GARAGE LAMP



Model	Cable m	Fuse A	Note
<b>HL-10R</b>	10	10	w/Bulb Protector ▽94-5634
<b>HL-100</b>	–	10	Lamp Assy ▽94-5634
<b>HL-100C</b>	0.25	10	For Light Reel ▽94-5634

## CAPTAIN LIGHT



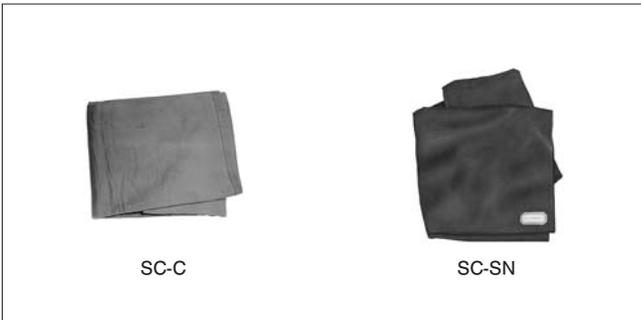
Model	<b>CL-18</b>	
Lamp		1 $\phi$ 18W
Cable	cm	20
Dimensions	mm	350 × 65 × 42
Weight	g	380

## MAGNETIC FENDER COVER



Model	L × W mm	Note
<b>FC-VM</b>	900 × 500	1pc.
<b>FC-GA</b>	1,200 × 500	w/Hook, 2pcs./set
<b>FC-PMF</b>	1,200 × 500	w/Fastener, 2pcs./set

## SEAT COVER



Model	L × W mm	Note
<b>SC-C</b>	1,600 × 900 Seat Figure	4pcs./set
<b>SC-SN</b>		

## HAND TRUCK



Model	Capacity kg
<b>No.101</b>	300
<b>IKC-101</b>	150

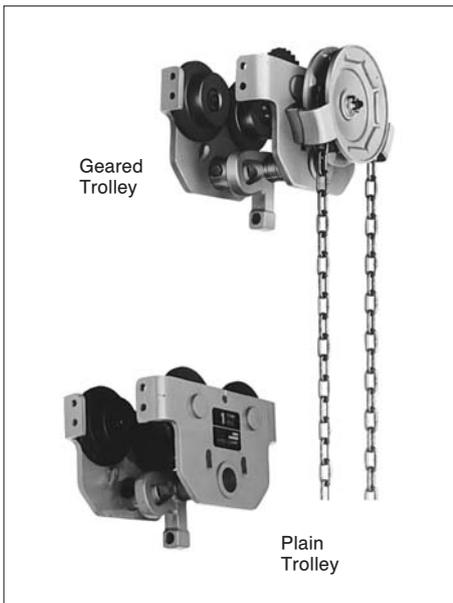
# HAND TOOLS AND MISCELLANEOUS

## CHAN BLOCK



Model	Capacity ton	Standard Lift m	Min. Length Between Hooks mm	Hand Pull kg	Net Weight	Grade
<b>CF005</b>	1/2	2.5	325	30	10	Standard
<b>CF010</b>	1	2.5	370	36	12	
<b>CF015</b>	1-1/2	2.5	440	42	17	
<b>CF020</b>	2	3	510	40	21	
<b>CF030</b>	3	3	590	46	28	
<b>CB005</b>	1/2	2.5	285	24	10	High Grade
<b>CB010</b>	1	2.5	295	29	11.5	
<b>CB015</b>	1-1/2	2.5	350	35	14.5	
<b>CB020</b>	2	3	375	36	20	
<b>CB030</b>	3	3	510	36	24	
<b>CB050</b>	5	3	600	34	41	
<b>CB100</b>	10	3.5	760	36	83	

## TOROLLY (UNIVERSAL TYPE)



Model	Rated Load ton	Hand Chain Length m	Applicable Rail Gauge mm	Min. Turning Radius mm
Plain Trolley				
<b>TSP005</b>	1/2	-	50, 75, 100	1,100
<b>TSP010</b>	1		75, 100, 125	1,300
<b>TSP015</b>	1-1/2		100, 125, 150	1,500
<b>TSP020</b>	2		100, 125, 150	1,500
<b>TSP030</b>	3		100, 125, 150	1,700
Geared Trolley				
<b>TSG010</b>	1	2.5	75, 100, 125	1,300
<b>TSG015</b>	1-1/2	2.5	100, 125, 150	1,500
<b>TSG020</b>	2	3.0	100, 125, 150	1,500
<b>TSG030</b>	3	3.0	100, 125, 150	1,700
<b>TSG050</b>	5	3.5	125, 150, 175	1,700

- These trolleys are applicable to I-section rails of the above widths.  
When using a H-section rail, consult us.

## LEVER BLOCK



Model	Capacity ton	Lift m	Min. Length B/W Hooks mm	Hand Pull kg	Weight kg
<b>LL005</b>	1/2	1.2	295	40	3.9
<b>LB008</b>	3/4	1.5	280	29	6.2
<b>LB016</b>	1.6	1.5	350	29	9.6
<b>LB032</b>	3.2	1.5	420	35	15.5
<b>LB063</b>	6.3	1.5	570	36	27
<b>LB090</b>	9	1.5	705	37	42

## ELECTRIC CHAIN HOIST



Model	Capacity t	Motor kw	Lift Speed m/min	Mini. Length B/W mm
<b>ER003S</b>	250kg	0.56	9.7/11.6	350
<b>ER005S</b>	500kg	0.9	7.6/ 9.1	370
<b>ER010L</b>	1	0.9	3.9/ 4.7	415
<b>ER010S</b>	1	1.8	7.3/ 8.8	440
<b>ER015S</b>	1.5	1.8	5.1/ 6.1	520
<b>ER020L</b>	2	1.8	3.6/ 4.3	560
<b>ER020S</b>	2	3.5	7.1/ 8.5	610
<b>ER025S</b>	2.5	3.5	5.7/ 6.9	625
<b>ER028L</b>	2.8	3.5	4.3/ 5.1	660
<b>ER028S</b>	2.8	4.6	5.8/ 6.9	660
<b>ER050S</b>	5	4.6	3.5/ 4.2	895

## MOTORIZED TROLLEY TYPE ELECTRIC HOIST



Model	Capacity ton	Motor Kw		Lift Speed m/min.		Rail Width mm
		Winch	Trolley	Winch	Trolley	
<b>ERM003S-S</b>	250kg	0.56	0.4	9.7/11.6	10/12 or 20/24	100 or 125
<b>ERM005S-S</b>	500kg	0.9	0.4	7.6/ 9.1		
<b>ERM010L-S</b>	1	0.9	0.4	3.9 / 4.7		
<b>ERM010S-S</b>	1	1.8	0.4	7.8/ 8.8	125 or 150	
<b>ERM015S-S</b>	1.5	1.8	0.4	5.1/ 6.1		
<b>ERM020L-S</b>	2	1.8	0.4	3.6/ 4.3		
<b>ERM020S-S</b>	2	3.5	0.4	7.1/ 8.5	150 or 175	
<b>ERM025S-S</b>	2.5	3.5	0.4	5.7/ 6.9		
<b>ERM028L-S</b>	2.8	3.5	0.4	4.3/ 5.1		
<b>ERM028S-S</b>	2.8	4.6	0.4	5.8/ 6.9		
<b>ERM050S-S</b>	5	4.6	0.75	3.5/ 4.2		

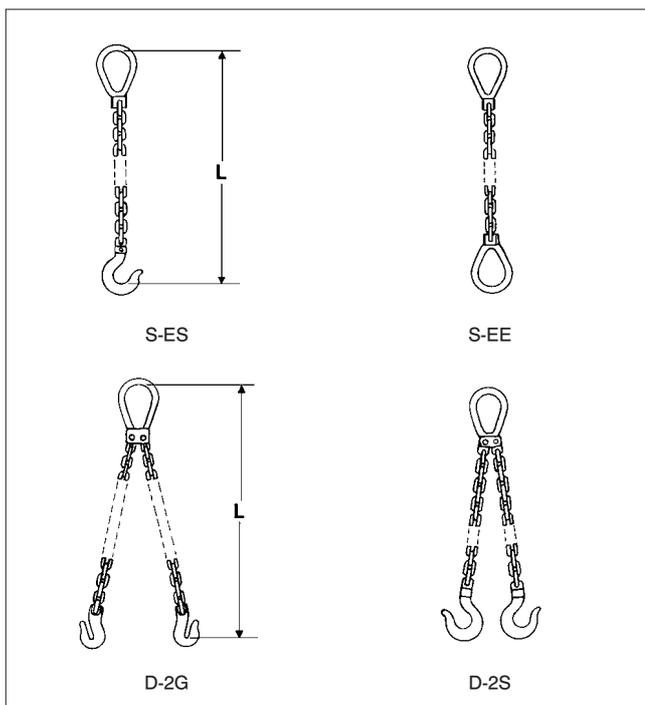
# HAND TOOLS AND MISCELLANEOUS

## ELECTRIC HOIST



Model	Capacity ton	Lift m	Speed		Motor		Rail Width mm
			Winch	Trolley	Winch	Trolley	
			m/min. (50Hz)		Kw		
<b>GNN010H-H12H</b>	1	12	10	21	2.2	0.4	100
<b>GNN020H-H06H</b>	2	6	8.4	21	3.7	0.4	125
<b>GNN020H-H12H</b>	2	12	8.4	21	3.7	0.4	125
<b>GNN028H-H06H</b>	2.8	6	7.5	21	4.8	0.4	125
<b>GNN028H-H12H</b>	2.8	12	7.5	21	4.8	0.4	125
<b>GNN050A-H08H</b>	5	8	6.7	21	7.5	0.75	150
<b>GNN050A-H12H</b>	5	12	6.7	21	7.5	0.75	150

## CHAIN SLING100



Single Type			
Model	Capacity ton	Chain $\phi$ mm	Overall Length mm
<b>1S-EE</b>	1.25	$\phi$ 6.3	1.5
<b>2S-EE</b>	2.0	$\phi$ 8.3	1.5
<b>3S-EE</b>	3.2	$\phi$ 10.0	1.5
<b>1S-ES</b>	1.25	$\phi$ 6.3	1.5
<b>2S-ES</b>	2.0	$\phi$ 8.0	1.5
<b>3S-ES</b>	3.2	$\phi$ 10.0	1.5

Double Type			
Model	Capacity ton	Chain $\phi$ mm	Overall Length mm
<b>2D-2S</b>	2.0	$\phi$ 6.3	1.5
<b>3D-2S</b>	3.2	$\phi$ 8.0	1.5
<b>5D-2S</b>	5.0	$\phi$ 10.0	1.5
<b>2D-2G</b>	2.0	$\phi$ 6.3	1.5
<b>3D-2G</b>	3.2	$\phi$ 8.0	1.5
<b>5D-2G</b>	5.0	$\phi$ 10.0	1.5

## SPRING BALANCER



Ideal for Heavy Hand Tools and Air Tools. To reduce physical exhaustion.

Model	Capacity kg	Stroke m	Weight kg	Note
<b>TB-15</b>	0.5-1.5	1.0	0.5	Tool Balancer
<b>TB-30</b>	1.5-3.0	1.3	1.2	Tool Balancer
<b>TB-50</b>	3.0-5.0	1.3	1.3	Tool Balancer
<b>ATB-2</b>	3.0-5.0	1.3	1.7	Air Assisted